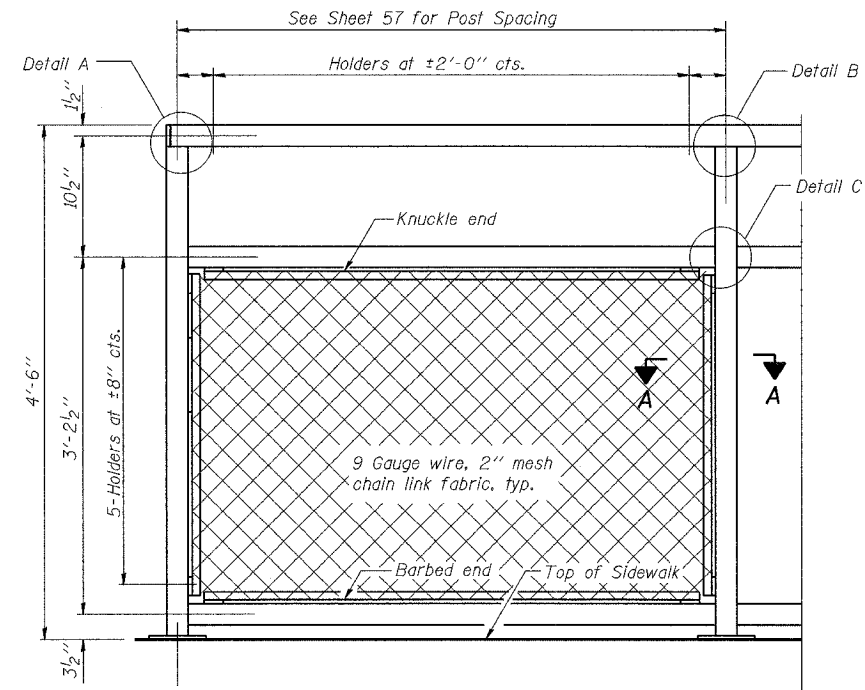


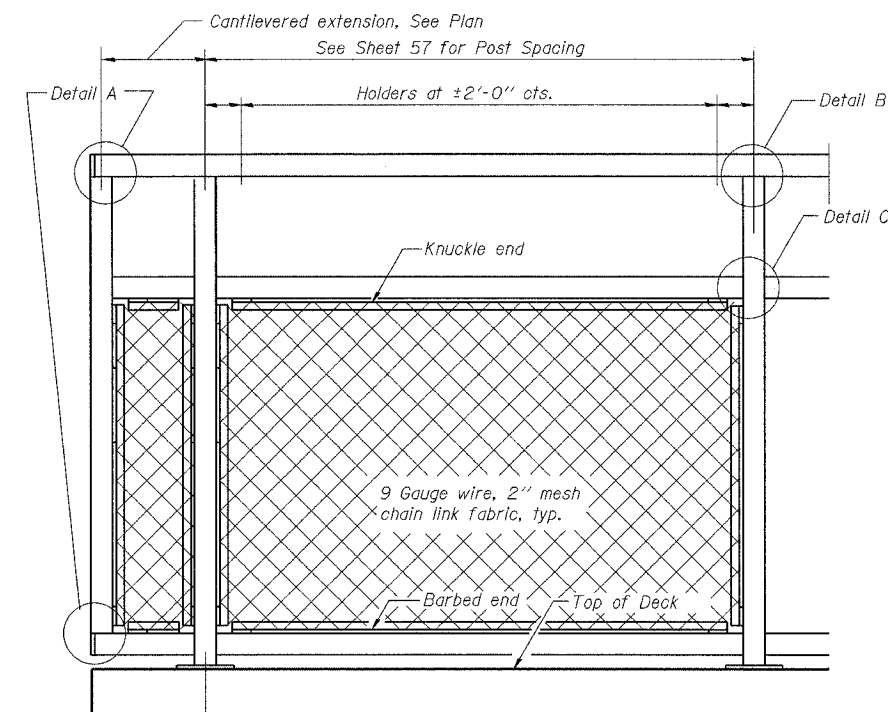
STATE OF ILLINOIS
DEPARTMENT OF TRANSPORTATION

ROUTE NO.	SECTION	COUNTY	DIST.	SHEET NO.	SHEET NO. 19 19 SHEETS
#	ROCK ISLAND	112	72		
FED. ROAD DIST. NO. 7		ILLINOIS		FED. AID PROJECT	

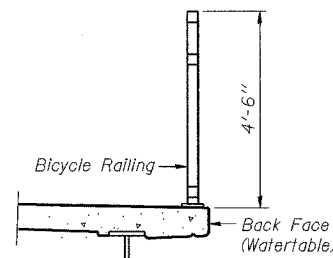
* 05-00174-00-BT



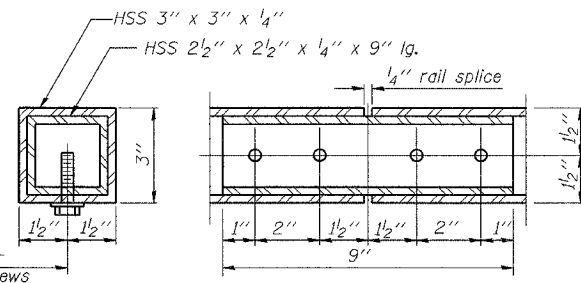
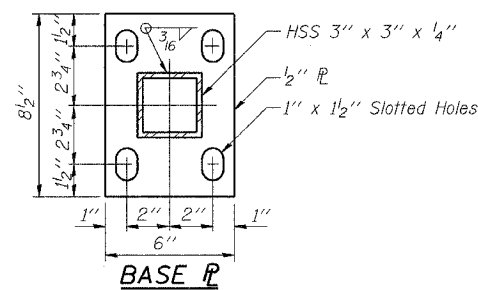
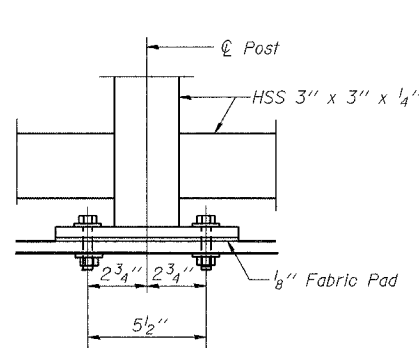
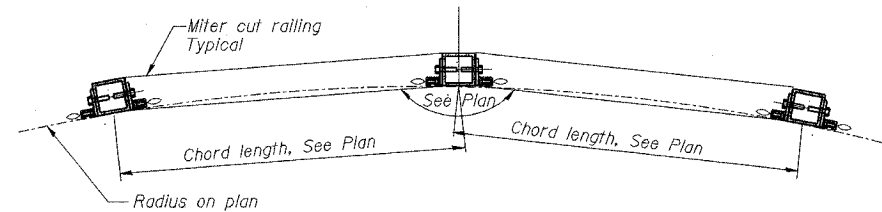
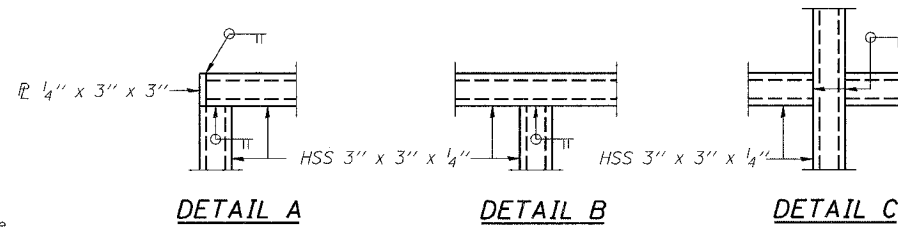
BICYCLE RAILING



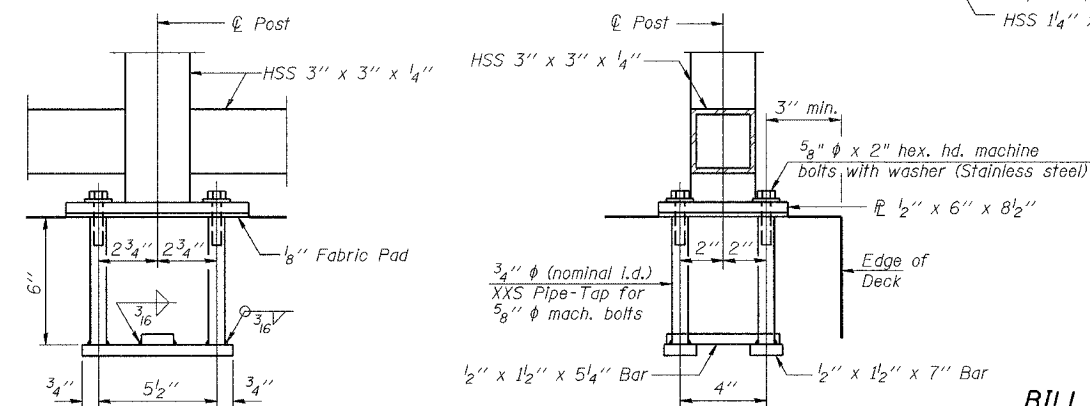
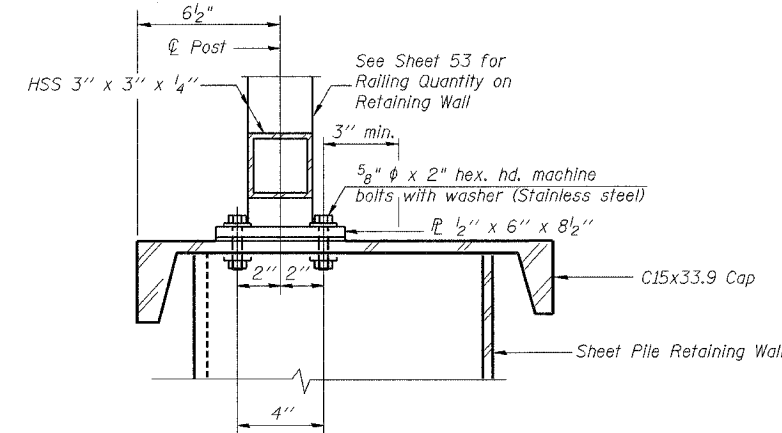
BICYCLE RAILING



SECTION THRU DECK

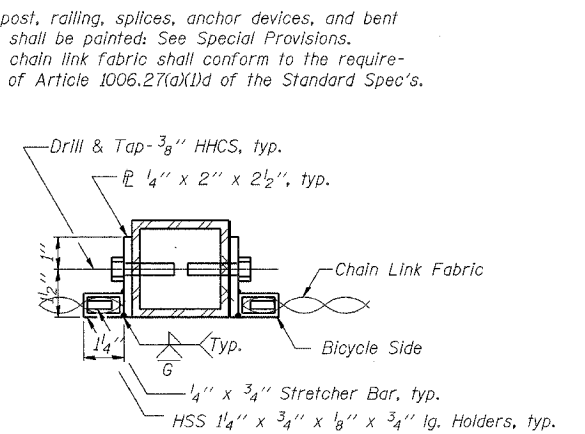


RAIL SPLICE



ANCHOR BOLT DETAILS

In lieu of the cast-in-place anchor device shown, the Contractor has the option of drilling and epoxy grouting 5/8" φ anchor rods. Embedment shall be according to the manufacturer's specifications.



SECTION A-A

NOTES

Railing shall be according to Section 509 of the Standard Specifications, except as noted, and will be paid for at the Contract Unit Price per foot for Bicycle Railing.
The 9 gauge fabric ties shall be according to Article 1006.27 (d) of the Standard Specifications.
Installation of the chain link fabric shall be according to Section 664 of the Standard Specifications.
Hollow structural sections shall conform to the requirements of ASTM designation A 500, Grade B, structural steel tubing.
All other steel shapes and plates shall conform to the requirements of AASHTO M 270 Grade 36.
The chain link fabric shall be placed along Bicycle Side as shown on Section A-A.
Stretcher bars shall be used at all four sides of each panel.
If the option of drilling and epoxy grouting the anchor rods is chosen, the Contractor shall use the capsule or the adhesive cartridge type anchor rods that have been previously tested and given a prior approval by the Department. The Contractor shall install these anchor rods in pre-drilled holes according to the manufacturer's recommendations and procedures. The capsule or the adhesive cartridge shall be sealed with pre-measured amounts of the adhesive chemical.
Space reinforcement to miss anchor rods.

All post, railing, splices, anchor devices, and bent plates shall be painted. See Special Provisions.
The chain link fabric shall conform to the requirements of Article 1006.27(a)(1)(d) of the Standard Spec's.

BILL OF MATERIAL

Item	Unit	Quantity
Bicycle Railing	Foot	140

BICYCLE RAILING

AUGUSTANA COLLEGE MULTI-USE BRIDGE
SECTION 05-00174-00-BT
PROJECT NO. HPP-4113-(001)
CITY OF ROCK ISLAND
ROCK ISLAND COUNTY

DESIGNED	LRT
CHECKED	JBF
DRAWN	RAP
CHECKED	JBF

R-29

10-22-04 (10'-0" Maximum Post Spacing)