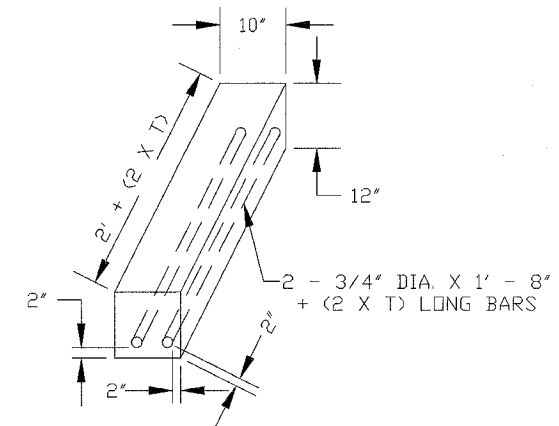
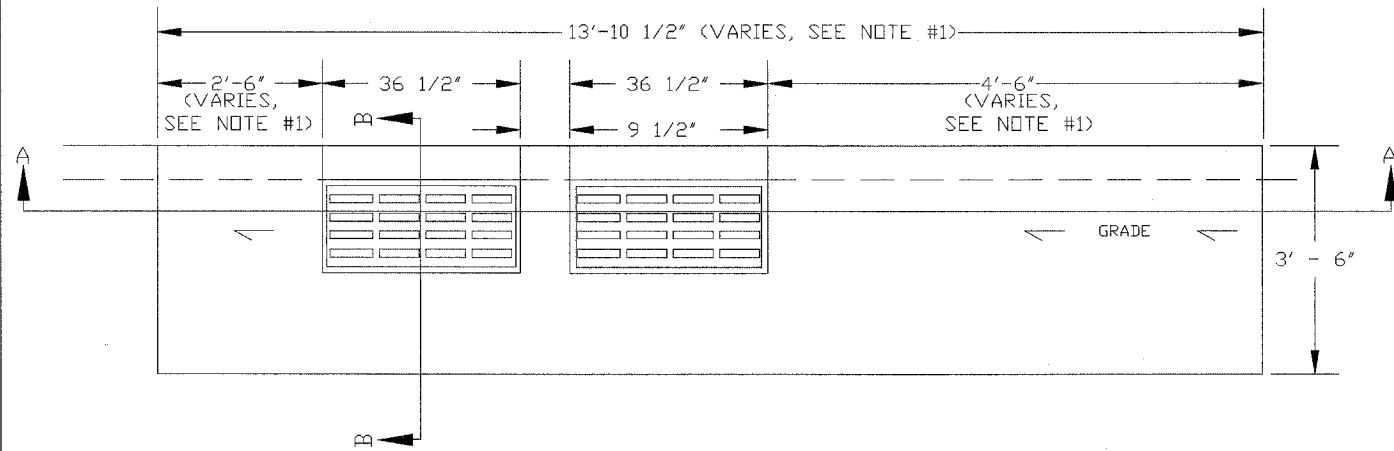


F.A. RTE.	SECTION	COUNTY	TOTAL SHEETS	SHEET NO.
	05-00174-00-BT	ROCK ISLAND	112	87
STA.		TO STA.		
FED. ROAD DIST. NO.		ILLINOIS FED. AID PROJECT		

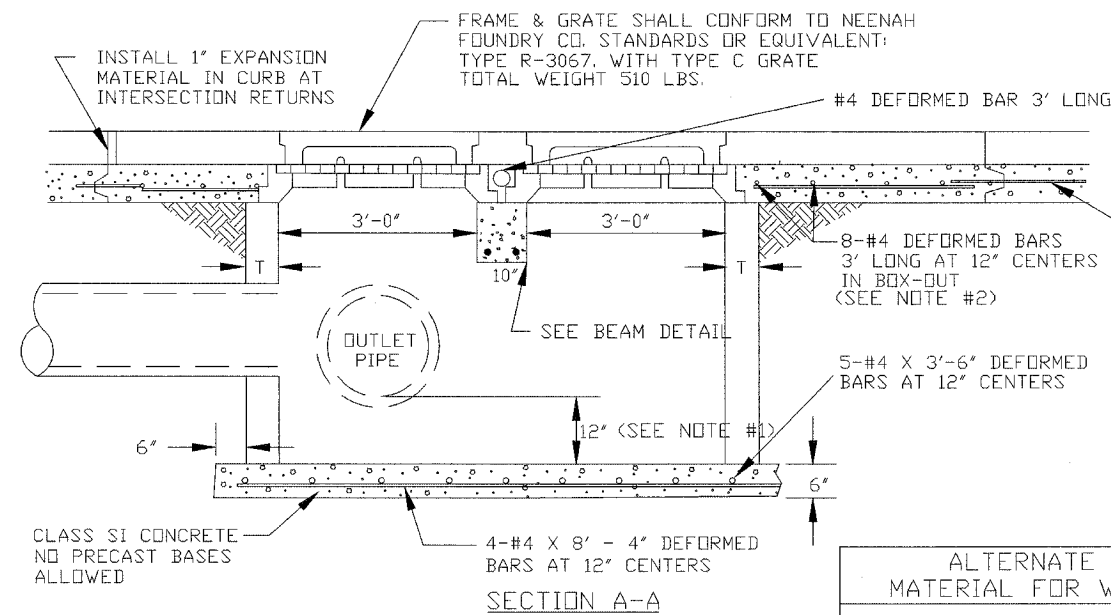
NOTE 1: MATCH EXISTING JOINTS AS IS PRACTICABLE. ON NEW PAVEMENT BEGIN JOINT PATTERN FROM EDGES OF BOX OUT.

NOTE 2: STEEL REBAR TO BE PLACED AS SHOWN WHETHER CATCH BASIN IS POURED INTEGRAL TO PAVEMENT OR IN A BOX OUT. MAINTAIN MINIMUM OF 2" CLEARANCE BETWEEN REBAR AND FACE OF CONCRETE.

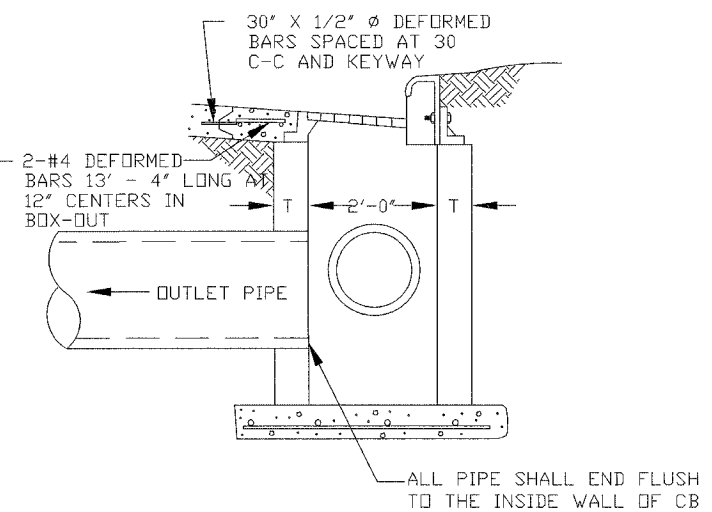
NOTE 3: 12" SUMP TO BE OMITTED FROM CATCH BASIN BOTTOMS EXCEPT IN AREAS WHERE SANITARY AND STORM SEWERS ARE COMBINED.



BEAM DETAIL



SECTION A-A



SECTION B-B

ALTERNATE MATERIAL FOR WALLS	T
PRECAST SECTIONS	5"
POURED WALLS *	6"

\* CLASS SI CONCRETE, VIBRATED, WITH FORMS RIGID AND TRUE TO VERTICAL ALIGNMENT.

## DOUBLE CATCH BASIN

CITY OF ROCK ISLAND  
ENGINEERING DIVISION

STANDARD NO. 205

NOT TO SCALE

REVISION	BY	DATE
REVISED	TAB	11/08/99
STAND206.DWG	PNCJ	6/1/95

REVISIONS	
NAME	DATE

ILLINOIS DEPARTMENT OF TRANSPORTATION

### CITY OF ROCK ISLAND STANDARDS

SCALE: VERT.  
HORIZ.  
DATE

DRAWN BY  
CHECKED BY