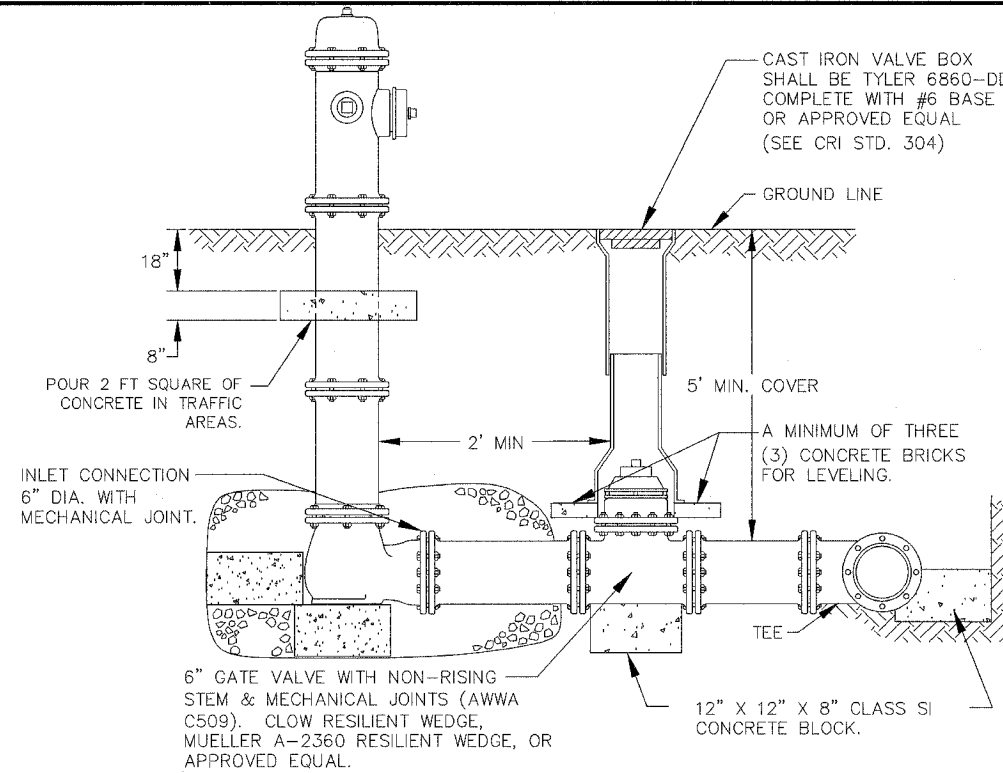
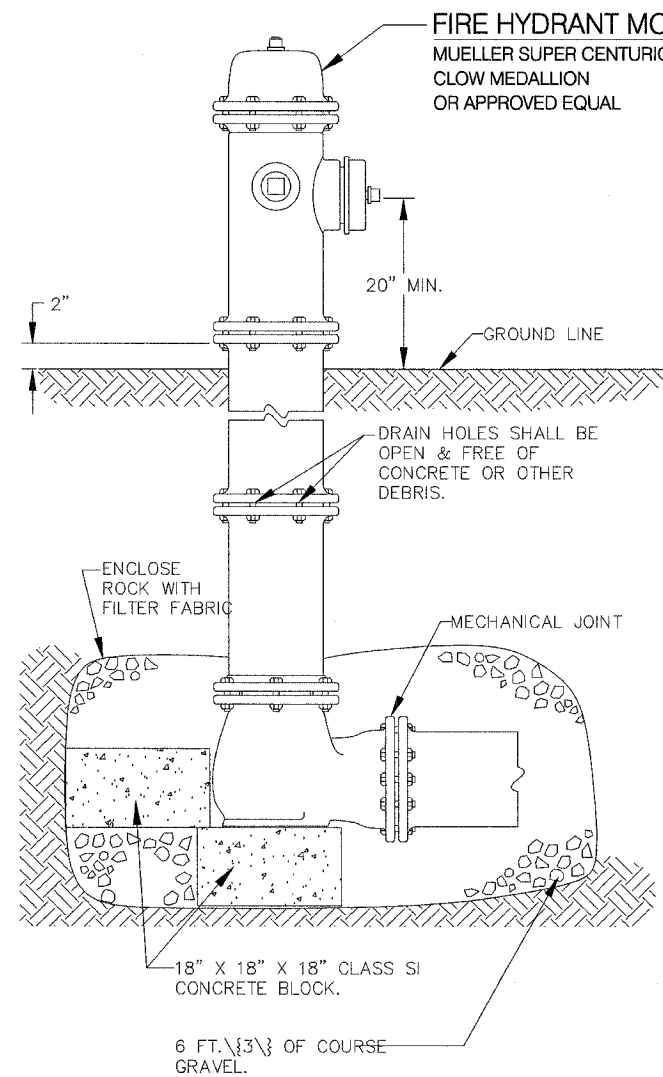


F.A. RTE.	SECTION	COUNTY	TOTAL SHEETS	SHEET NO.
	05-00174-00-BT	ROCK ISLAND	112	89
STA.	TO STA.			
FED. ROAD DIST. NO.	ILLINOIS FED. AID PROJECT			



NOTE:

1. A COMPRESSION TYPE MAIN VALVE, CLOSING WITH STREAM FLOW. THE VALVE WILL BE DESIGNED TO BE HELD CLOSED IN COMPRESSION UNDER STATIC WATER PRESSURE. THE VALVE OPENING WILL BE 5.25" MINIMUM NOMINAL DIAMETER AND OPEN COUNTER-CLOCKWISE. SEE BID FORM FOR OPERATING NUT SIZE FOR EACH PARTICIPATING MUNICIPALITY.
2. THE INLET CONNECTION WILL BE 6" DIA. "CUT-IN" MECHANICAL JOINT (AS DESCRIBED IN SECTION II-2, CII) WITH RESTRAINING LUGS, FOOTPIECE BELL WILL ACCEPT PIPE OUTSIDE DIAMETERS IN THE 6.9" AND 7.1" RANGE.
3. DELIVERY CLASSIFICATION - ONE PUMPER AND TWO HOSE NOZZLES. THESE NOZZLES SHALL BE 4.5" & 2.5" NOMINAL INSIDE DIA. RESPECTIVELY. THREADS SHALL BE OF NATIONAL STANDARD FIRE HOSE COUPLING SCREW DESIGN.
4. THE HYDRANTS WILL BE OF "TRAFFIC BREAKAWAY DESIGN," WITH GROUND LINE FLANGE AND SAFETY STEM OPERATOR COUPLING. GRADE LINE SHALL BE POSITIVELY MARKED ON THE LOWER BARREL. THE CENTER LINE OF ALL PORTS SHALL BE A MINIMUM OF 18" ABOVE ESTABLISHED GRADE LINES.
5. HYDRANTS WILL BE PROVIDED WITH BRONZE-LINED OUTLETS TO ALLOW CORROSION RESISTANT DRAINAGE OF THE BARREL SECTIONS. SEAT AND DRAIN RINGS WILL BE OF BRONZE COMPOSITION AS PROVIDED IN THE STANDARD RECOMMENDATIONS.
6. POSITIVE O-RINGS SEALS WILL BE PROVIDED TO PROTECT STEM AND OPERATING NUT THREADS, AND ALL BEARING SURFACES FROM THE ATMOSPHERE AND THE WATERWAY. THE TOP WILL HAVE AN OIL RESERVOIR OR GREASE CHAMBER TO INSURE AUTOMATIC LUBRICATION OF THE STEM THREADS DURING OPERATION.
7. PRIMARY COATING AND PAINTING MUST COMPLY WITH THE STANDARD RECOMMENDATIONS, AND A YELLOW FINISH COLOR WILL BE APPLIED ABOVE THE GRADE LINE.

NOT TO SCALE

REVISED	MDW	01/06/00
REV. HYD. MODEL STD.	PMCJ	06/25/99
METRIC	PMCJ	01/27/97
REVISED	MDW	08/22/94
STAND301.DWG	MDM	03/91
REVISION	BY	DATE

S:\...MISC\STANDARD\CRI_STD\301.DWG

FIRE HYDRANT DETAIL

CITY OF ROCK ISLAND
ENGINEERING DIVISION

STANDARD NO. 301

REVISIONS	
NAME	DATE

ILLINOIS DEPARTMENT OF TRANSPORTATION

**CITY OF ROCK ISLAND
STANDARDS**

SCALE: VERT.
HORIZ.
DATE

DRAWN BY
CHECKED BY