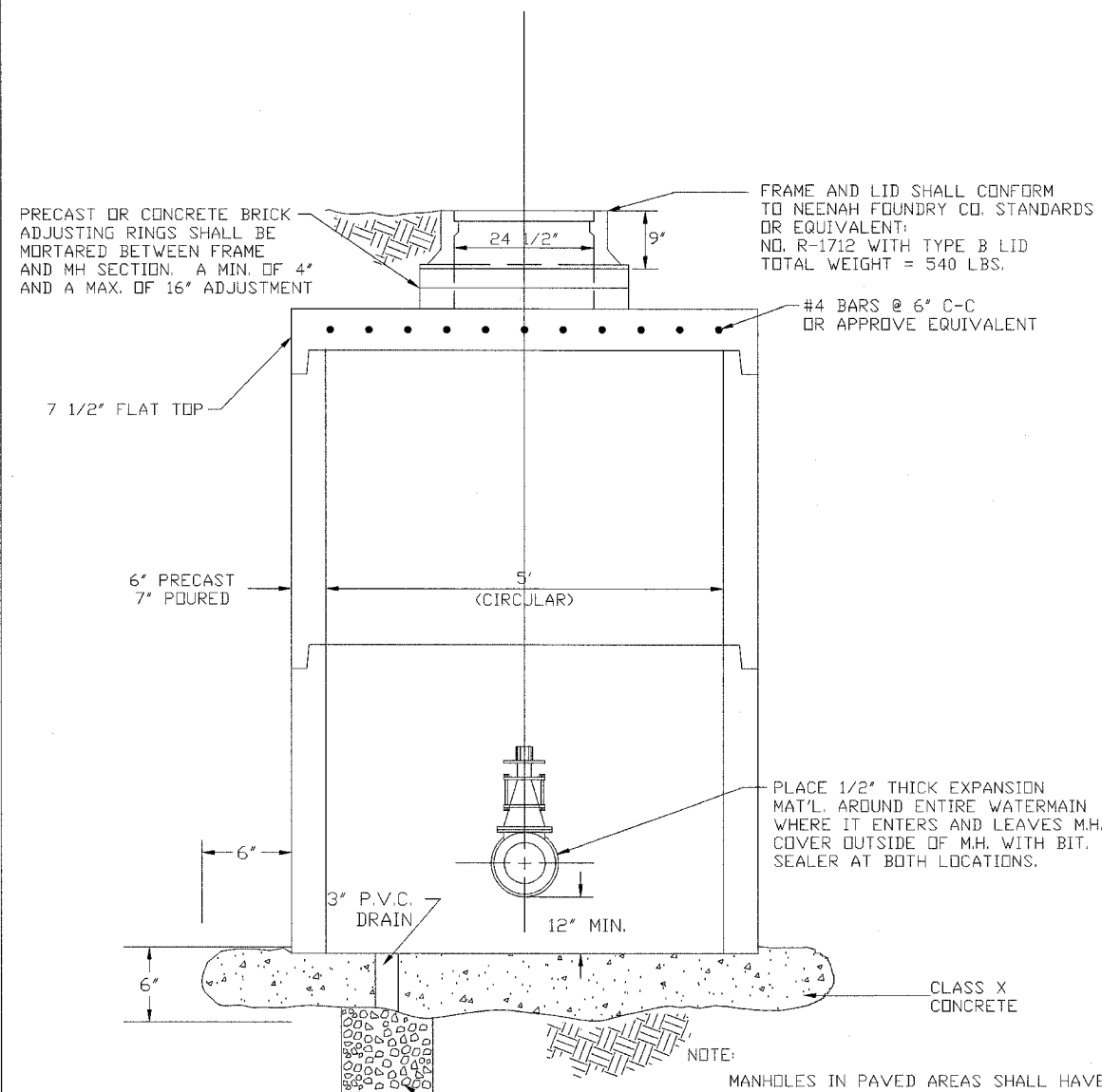
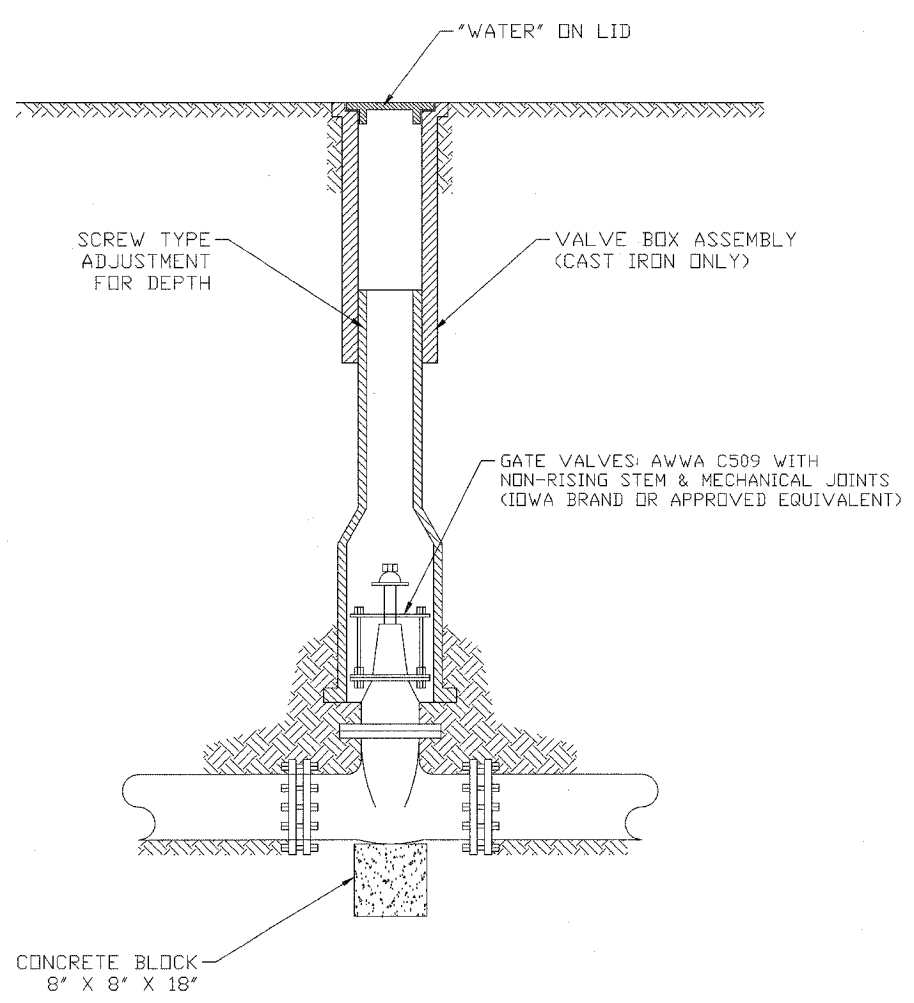


F.A. RTE.	SECTION	COUNTY	TOTAL SHEETS	SHEET NO.
	05-00174-00-BT	ROCK ISLAND	112	92
STA.	TO STA.			
FED. ROAD DIST. NO.	ILLINOIS	FED. AID PROJECT		

VALVE VAULT



VALVE BOX



STANDARD VALVE VAULT & STANDARD VALVE BOX

CITY OF ROCK ISLAND ENGINEERING DIVISION

STANDARD NO. 304

REVISED	TAB	03/14/2000
REVISED	MDW	08/22/94
STAND304.DWG	MDW	03/12/93
REVISION	BY	DATE

PLOT DATE * DATE * FILE * FILE * PLOT SCALE * SCALE * USER NAME * USER

REVISIONS	
NAME	DATE

ILLINOIS DEPARTMENT OF TRANSPORTATION

CITY OF ROCK ISLAND STANDARDS

SCALE: VERT. DATE
HORIZ. DRAWN BY
CHECKED BY