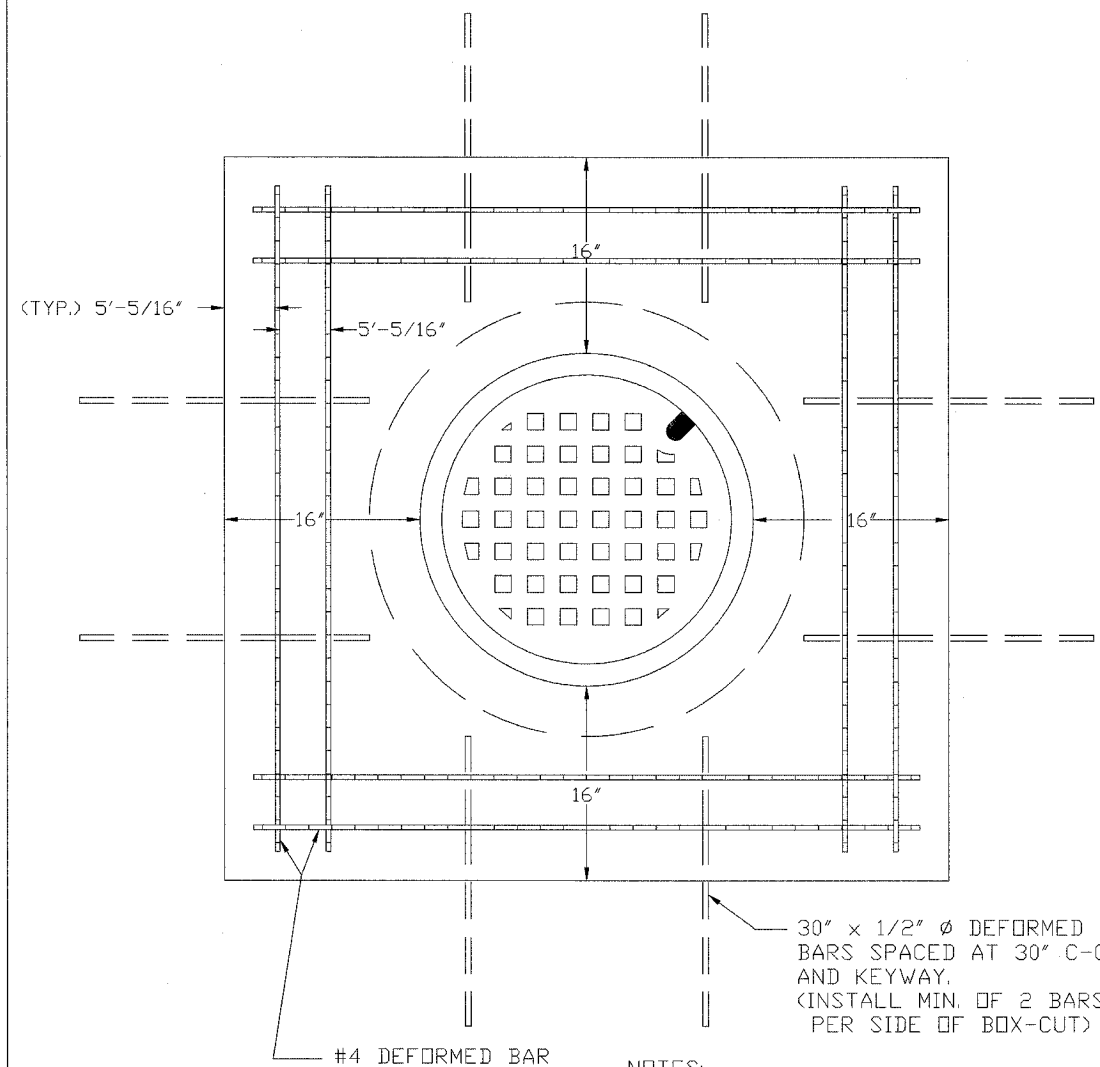


F.A. RTE.	SECTION	COUNTY	TOTAL SHEETS	SHEET NO.
	05-00174-00-BT	ROCK ISLAND	112	93
STA.		TO STA.		
FED. ROAD DIST. NO.	ILLINOIS	FED. AID PROJECT		

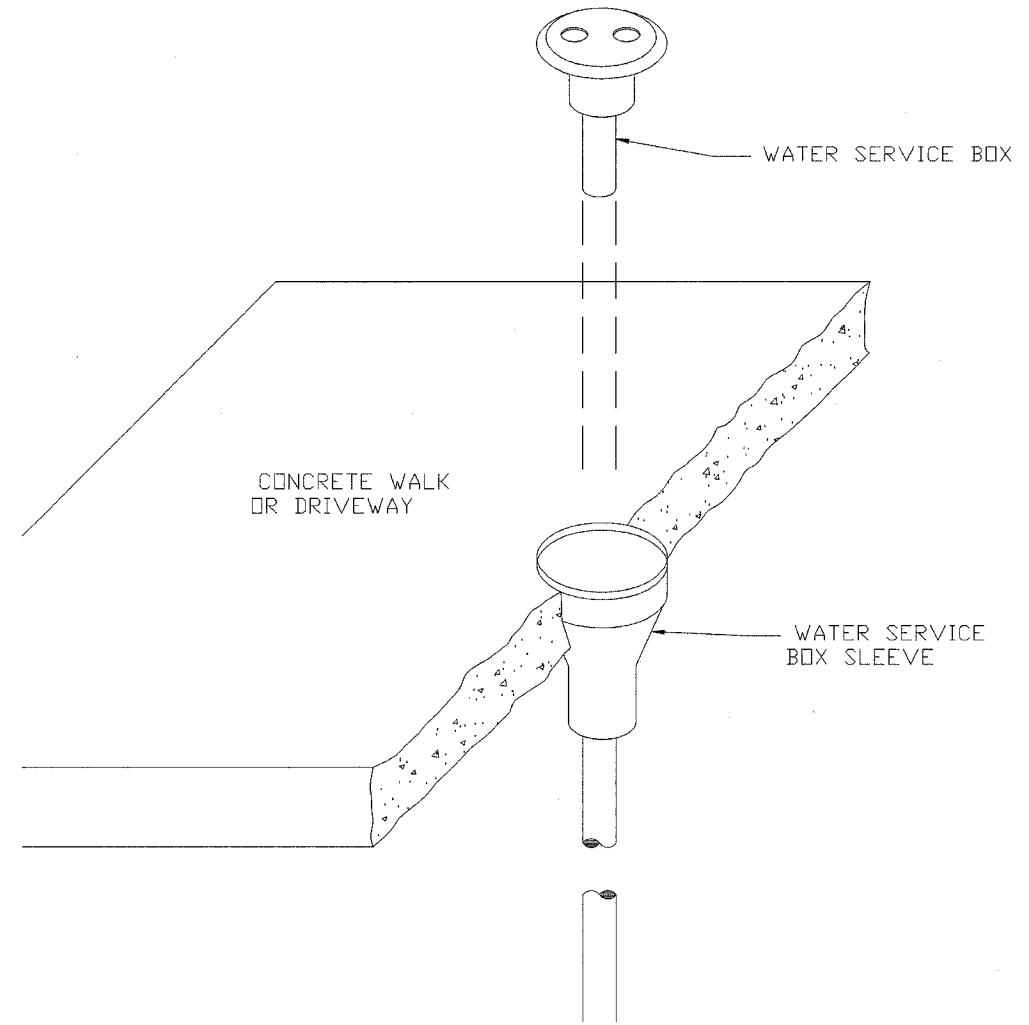
MANHOLE BOX-CUT



- NOTES:
- #1 REBARS TO BE PLACED WHETHER BOX-CUT IS USED OR NOT.
 - #2 MINIMUM OF 2" CLEARANCE BETWEEN BOX-CUT AND END OF REBARS.

REVISED	TAB	03/14/2000
STAND305.DWG	CWE	06/24/91
REVISION	BY	DATE

SLEEVE - WATER SERVICE BOX



MANHOLE BOX-CUT & WATER SERVICE BOX SLEEVE

CITY OF ROCK ISLAND ENGINEERING DIVISION STANDARD NO. 305

PLOT DATE * * * * *
 FILE NAME * * * * *
 PLOT SCALE * * * * *
 USER NAME * * * * *

REVISIONS	
NAME	DATE

ILLINOIS DEPARTMENT OF TRANSPORTATION

CITY OF ROCK ISLAND STANDARDS

SCALE: VERT. DRAWN BY
 DATE: CHECKED BY