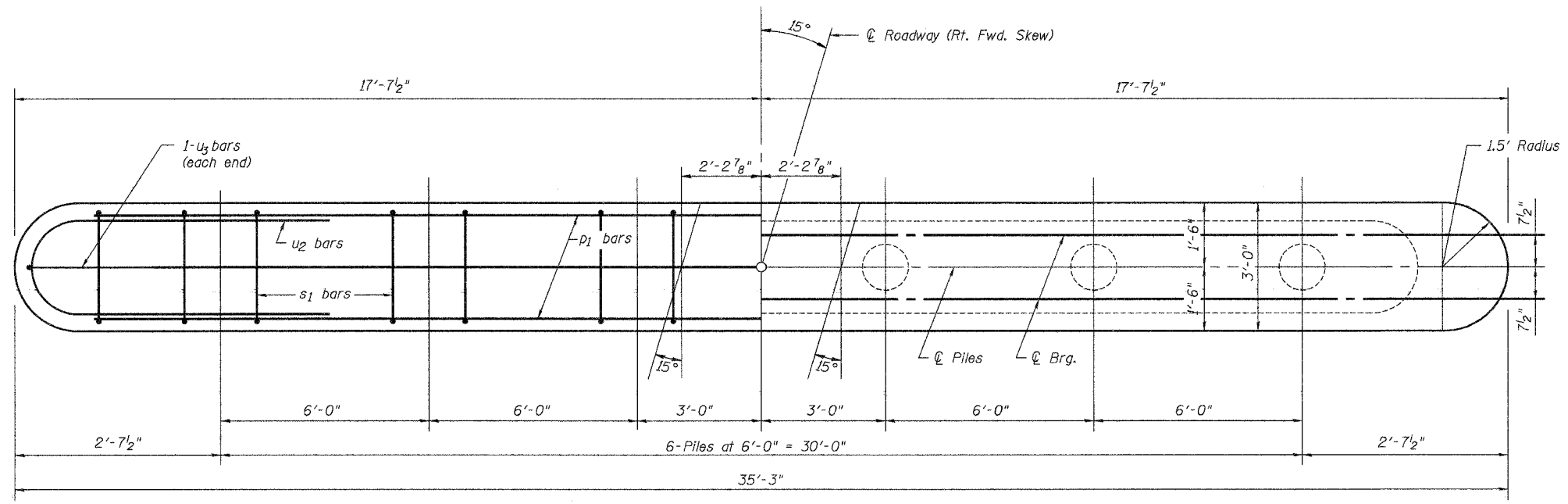
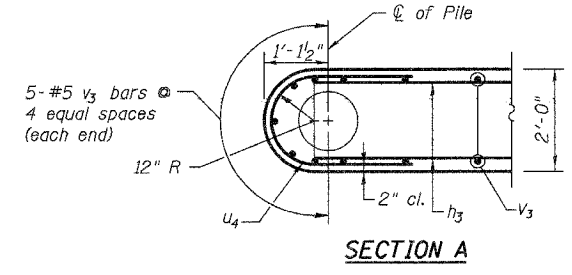
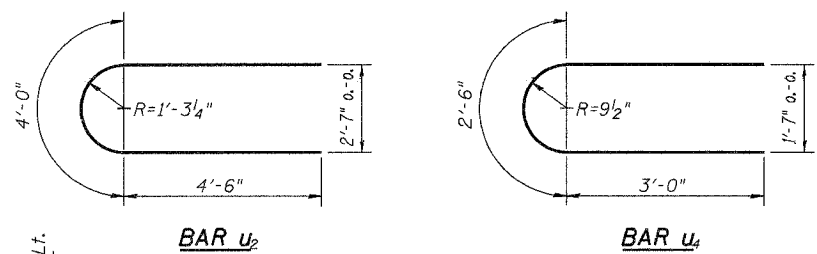


ROUTE NO.	SECTION	COUNTY	SHEETS	SHEET NO.
TR0683E	04-09116-00-BR	WINNEBAGO	15	8
DRAWN BY		PROJECT		

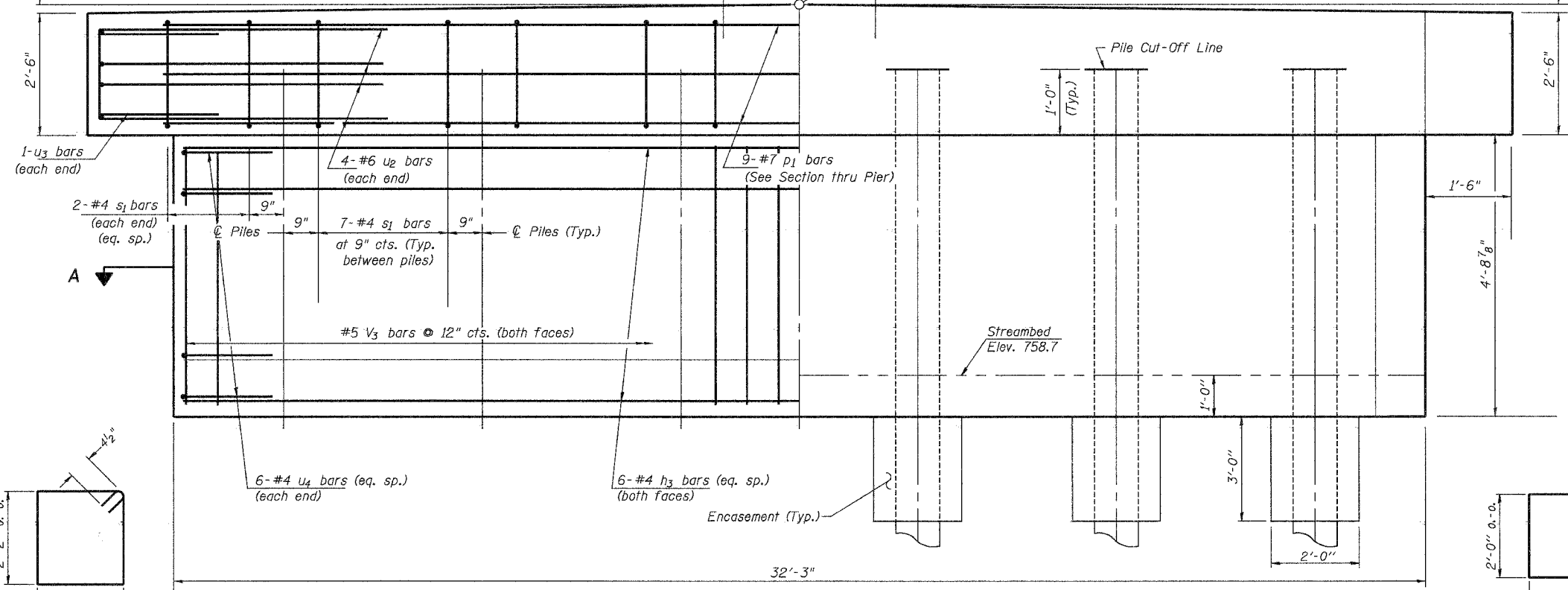
BRIDGE SHEET  
5 of 8



PLAN



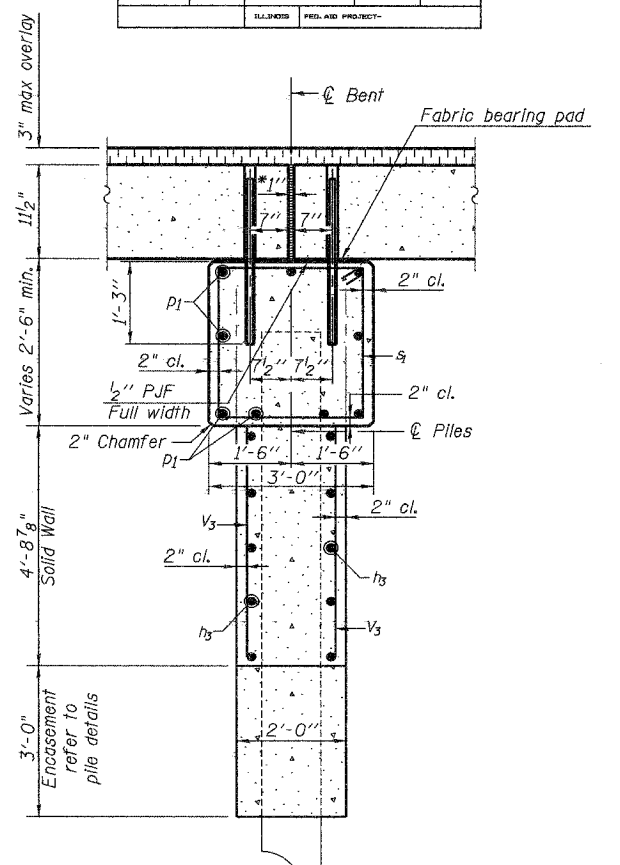
SECTION A



ELEVATION

DESIGN STRESSES

f'c = 3,500 psi  
fy = 60,000 psi



SECTION THRU FIXED PIER  
(At Right Angles)

\* Refer to P.P.C. Deck Beam Superstructure for Nominal 1" Joint Note.

BILL OF MATERIAL  
FOR ONE PIER

Bar	No.	Size	Length	Shape
h3	12	#4	30'-3"	—
p1	9	#7	32'-3"	—
s1	39	#4	10'-5"	□
u2	8	#6	13'-0"	U
u3	2	#4	8'-0"	U
u4	12	#4	8'-6"	U
v3	76	#5	4'-3"	—
Concrete Encasement		1.6	Cu. Yd.	
Concrete Structures		21.4	Cu. Yd.	
Reinforcement Bars		1679	Pounds	

P.P.C. DECK BEAM PILE BENT PIER

BROOKVIEW ROAD BRIDGE  
OVER SPRING CREEK  
ROCKFORD ROAD DISTRICT  
WINNEBAGO COUNTY  
SECTION 04-09116-00-BR



7282 Argus Drive  
Rockford, Illinois 61107-5837  
(815) 398-2332  
Design Firm License: Illinois 184-000816  
Copyright 2008 By McClure Engineering Associates, Inc.

- NOTES
1. Reinforcement bars shall conform to the requirements of A.A.S.H.T.O. M-31 or M-322, Grade 60.
  2. Space reinforcement in cap to miss anchor bolts.

BAR s1

BAR u3