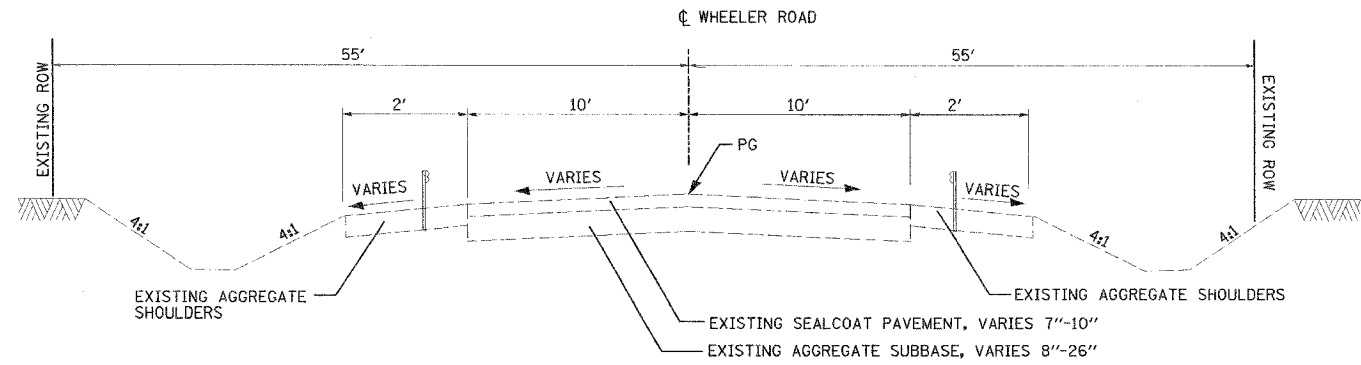


COUNTY	SECTION	COUNTY	TOTAL SHEETS	SHEET NO
23	06-00414-00-BR	WINNEBAGO	10	3
STA. 14+30		TO STA. 16+67		
EXISTING CONDITIONS:				
CONTRACT: 85433				

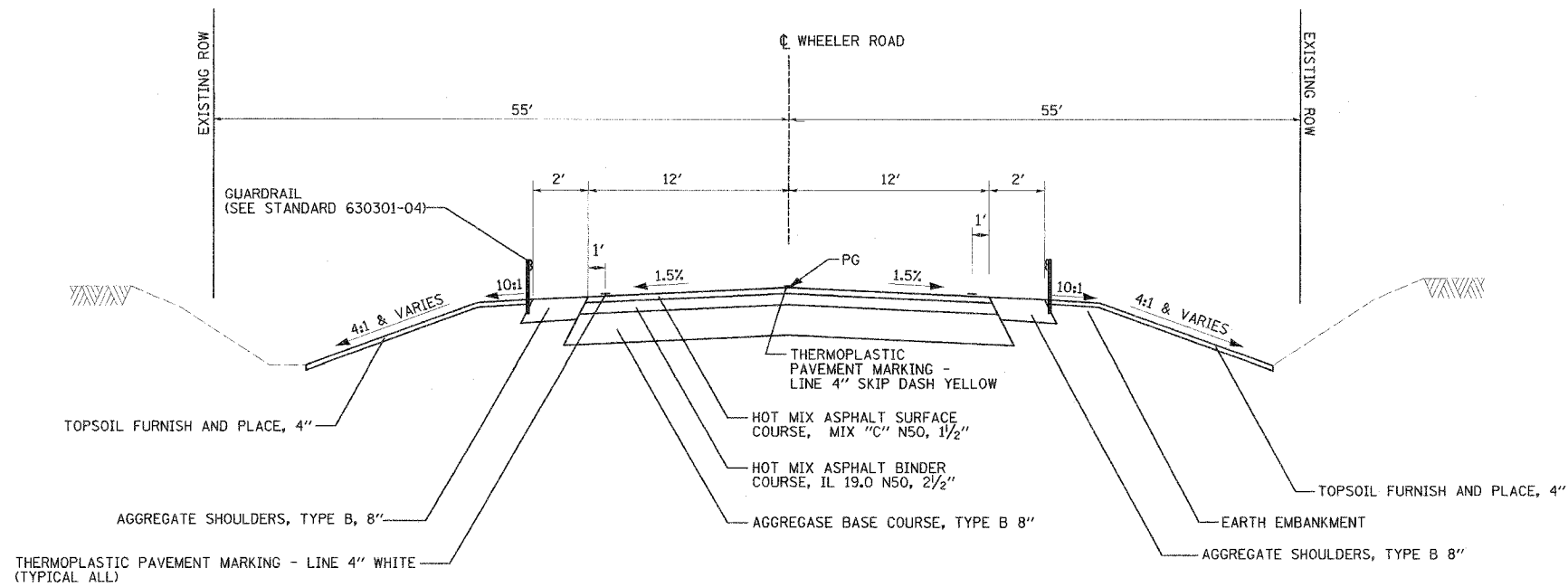


STRUCTURAL DESIGN DATA

TYPE OF CONSTRUCTION:	
PAVEMENT DESIGN:	
ROAD CLASSIFICATION	
STRUCTURAL DESIGN TRAFFIC:	
YEAR	2004
PV	346
SU	2
MU	2
% SDT IN DESIGN LANE	
PV	99.0%
SU	0.5%
MU	0.5%
TRAFFIC FACTOR	
	.001
PAVEMENT STRUCTURE	
HMA N50	1 1/2"
HMA N50	2 1/2"
SUB GRAN MAT A	8"

DATE	BY	REVISION

PLAN SURVEYER
NOTE BOOK
PT. OF MAP CHECKED
NO. FILE NAME



PROPOSED TYPICAL ROADWAY SECTION
STATION 14+30 TO STATION 16+67
NOT TO SCALE

PLOT DATE: 4/10/2008 2:07:35 PM 52:9_yrSec.dgn

REVISIONS	
NAME	DATE

WINNEBAGO COUNTY HIGHWAY DEPARTMENT
WHEELER ROAD (CH 23)
SECTION 06-00414-00-BR
WINNEBAGO COUNTY

TYPICAL SECTIONS

DRAWN BY: DMW