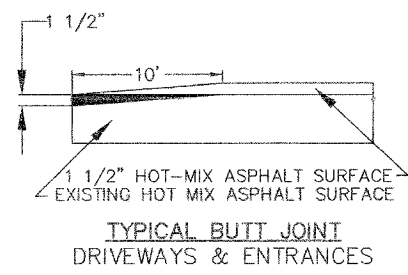
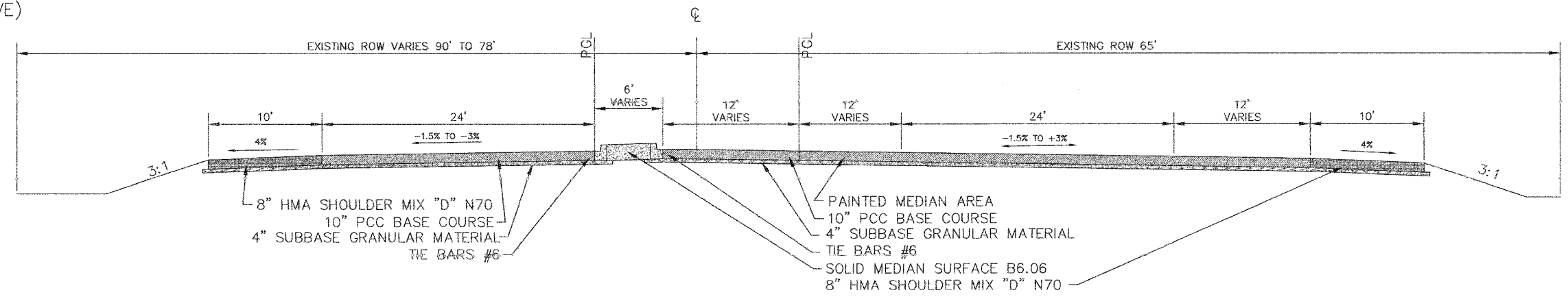
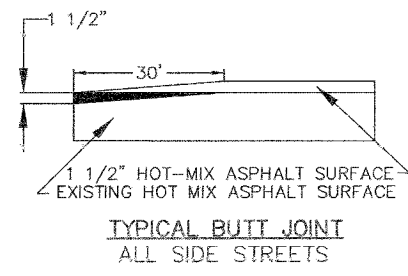
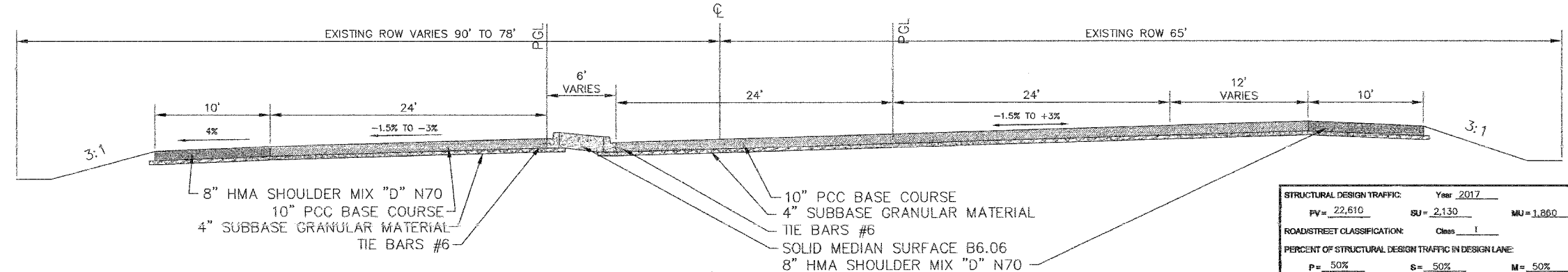




SECTION 04-00355-00-RS
COUNTY HIGHWAY 43 (HARRISON AVE)
STA. 320+52 TO STA. 329+00

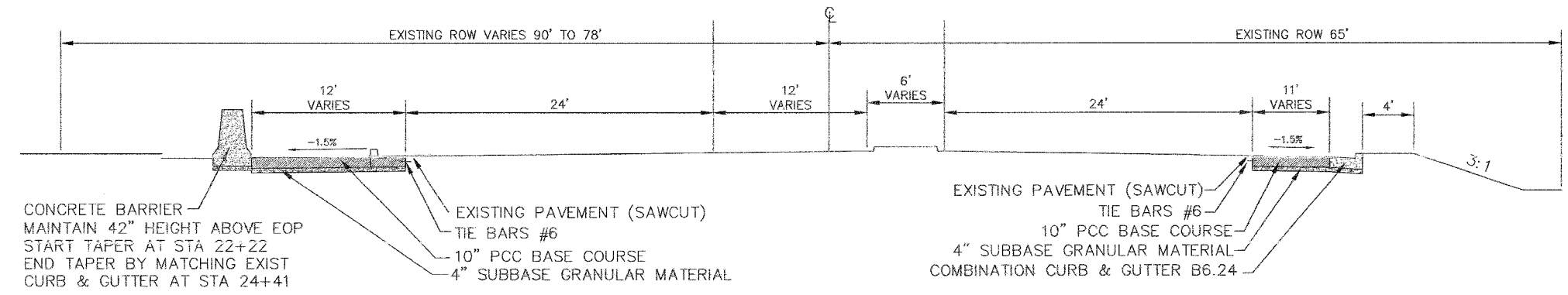


SECTION 04-00355-00-RS
COUNTY HIGHWAY 43 (HARRISON AVE)
STA. 329+00 TO STA. 333+86



STRUCTURAL DESIGN TRAFFIC: Year 2017		
PV = 22,610	SU = 2,130	MU = 1,860
ROAD/STREET CLASSIFICATION: Class I		
PERCENT OF STRUCTURAL DESIGN TRAFFIC IN DESIGN LANE:		
P = 50%	S = 50%	M = 50%
TRAFFIC FACTOR: TF = 16.05		
SUBGRADE SUPPORT RATING:		
SSR = GRANULAR* (Sta. 320+52.70 to 334+09.73)		
SSR = _____ (Sta. _____ to _____)		
* BITUMINOUS USED		

SECTION 04-00355-00-RS
COUNTY HIGHWAY 11 (PERRYVILLE RD)
STA. 20+19 TO STA. 24+41



P:\Library\Projects\Harrison Avenue\1-6\ANDY\Typical.dwg 4-9-2008 9:17:50 AM L11
WCHD, A. Lanning