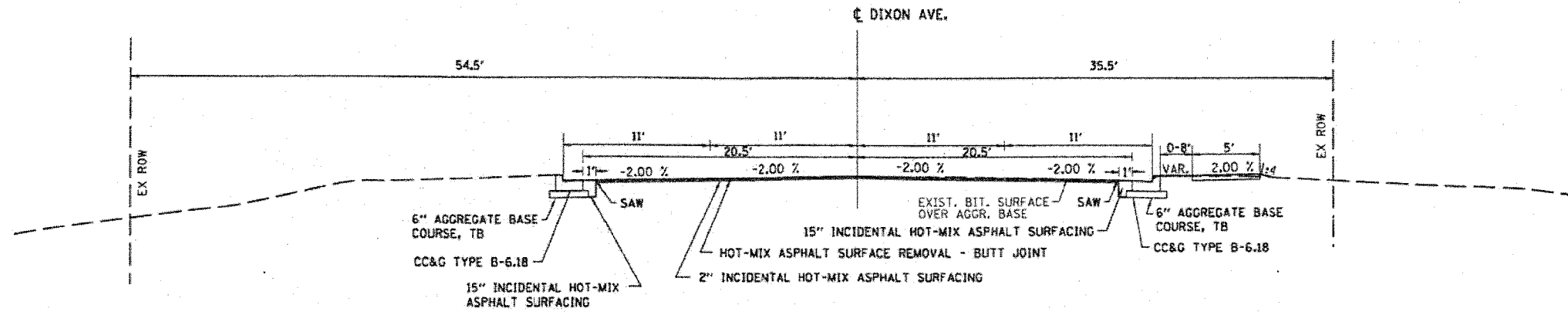


TYPICAL SECTIONS & DETAILS

DIXON AVENUE

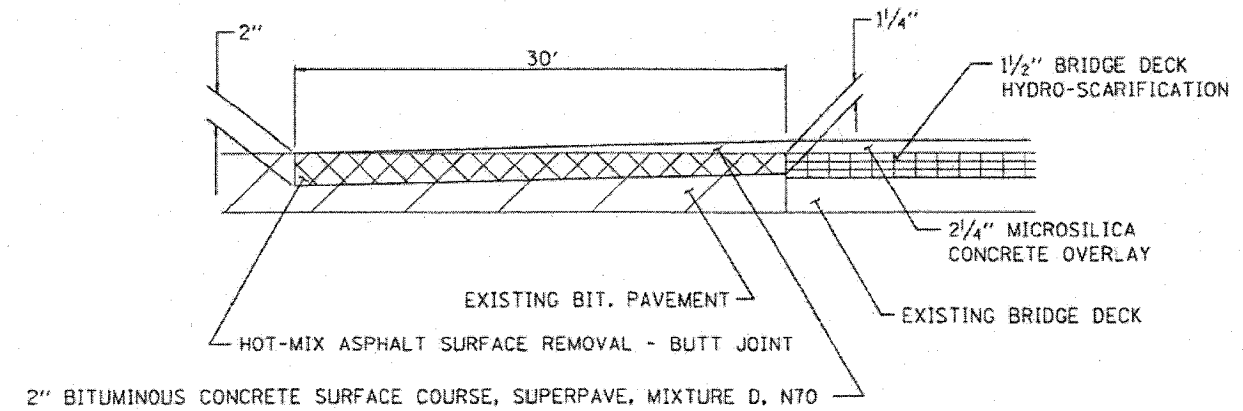


STA. 19+22.42 TO STA. 19+52.42
 STA. 20+47.58 TO STA. 20+77.58

INCIDENTAL HOT-MIX ASPHALT SURFACING

	PAVEMENT
PG:	PG 64-22
DESIGN AIR VOIDS	4.0 @ N50
MIXTURE COMPOSITION (GRADATION MIXTURE)	IL 9.5 or 12.5
FRICTION AGGREGATE	D

DIXON - BOYD STREET - HORIZONTAL CONTROL POINTS					
POINT #	STATION	O/S	NORTH	EAST	DESCRIPTION
100	17+50.35	24.47	1862642.45	2429326.68	PIN
101	22+18.03	25.4	1862645.8	2429794.35	PIN



BUTT JOINT TYPICAL
 STA. 19+22.42 TO 19+52.42
 STA. 20+47.58 TO 20+77.58

Revised 6-2-08

DATE	
BY	
PLAN	
NO.	

DATE	
BY	
PROFILE	
NO.	

S:\Structure\10933070\CityofRockFalls\typicals.dgn

FILE NAME	USER NAME	DESIGNED	REVISOR	WILLETT, HOFMANN & ASSOCIATES, INC. CONSULTING ENGINEERS DIXON, IL	TYPICAL SECTIONS & DETAILS	F.A. NO.	SECTION	COUNTY	TOTAL SHEETS	SHEET NO.
FILE NO.		DRAWN	REVISOR			5560	01-00125-00-BR	WHITESIDE	14	3
PLOT SCALE		CHECKED	REVISOR			CITY OF ROCK FALLS		CONTRACT NO.		05438
PLOT DATE		DATE	REVISOR			FED. ROAD DIST. NO. 7 ILLINOIS FED. AID PROJECT				