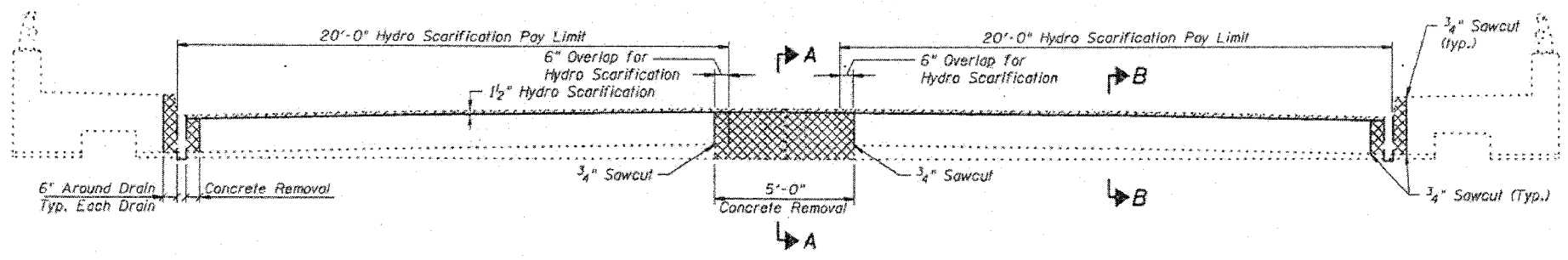
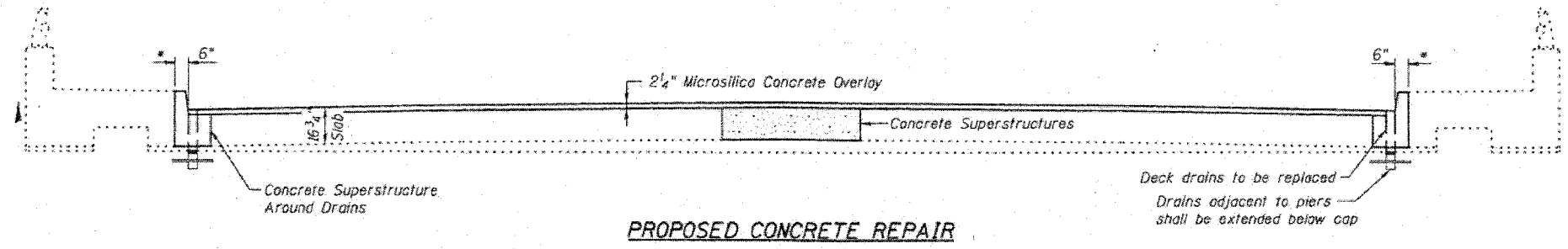


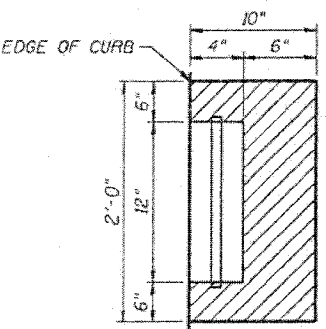
EXISTING BRIDGE CROSS SECTION



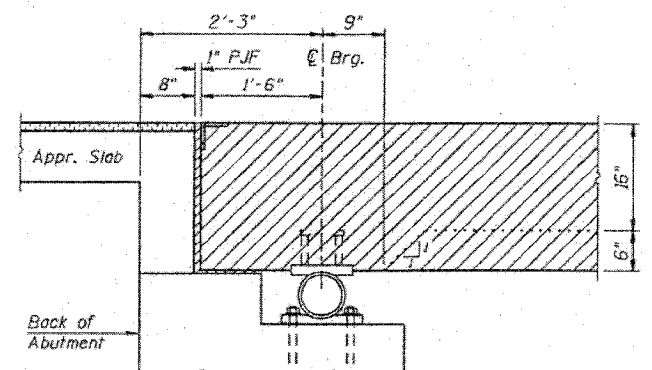
PROPOSED CONCRETE REMOVAL



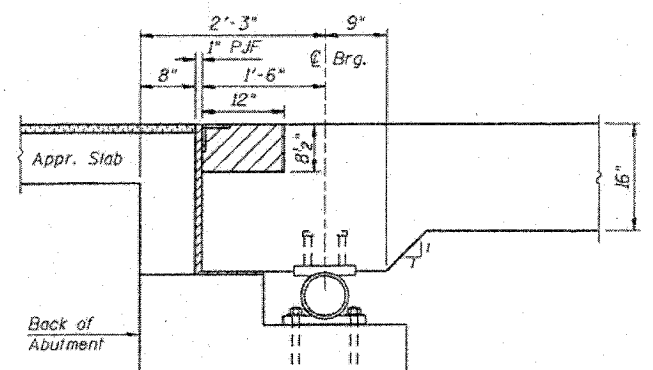
PROPOSED CONCRETE REPAIR



PLAN VIEW OF CONCRETE REMOVAL AROUND DECK DRAINS
(14 Total)



SECTION A-A AT END OF DECK



SECTION B-B AT END OF DECK

NOTES:
 Hatched areas indicate Concrete Removal.
 See Structural Sheet 3 of 6 for Deck Plan View and Bill of material.
 * Curb entire length of deck shall be repaired in accordance with "Structural Repair of Concrete (Depth Greater than 5)". The repair shall be measured along vertical face for a depth of 10 1/2".
 Contractor shall perform Hydro Scarification operations prior to Concrete Removal unless authorization is given in writing by engineer.
 Hatched areas indicate concrete sections to be removed. Perimeters of Concrete Removal areas shall be saw cut 3/4" prior to the removal of the concrete. Existing transverse reinforcement shall be cleaned, straightened and incorporated into the new construction.

**EXISTING AND PROPOSED BRIDGE CROSS SECTIONS
 DIXON AVENUE OVER HENNEPIN CANAL
 SECTION 01-00125-00-BR
 S.N. 098-3000
 CITY OF ROCK FALLS
 WHA # 1093007**

Revised 6-2-08