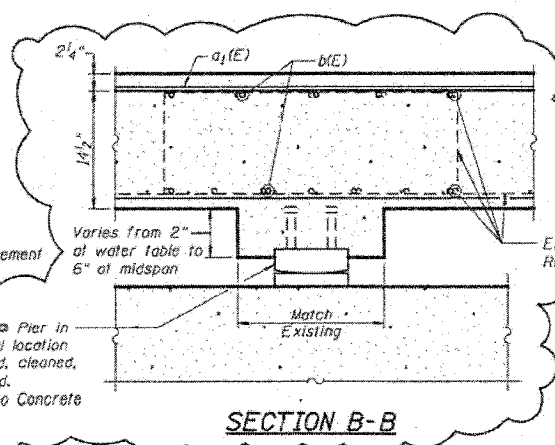
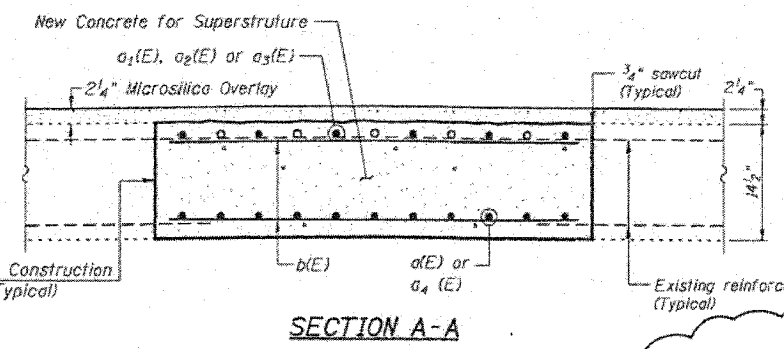
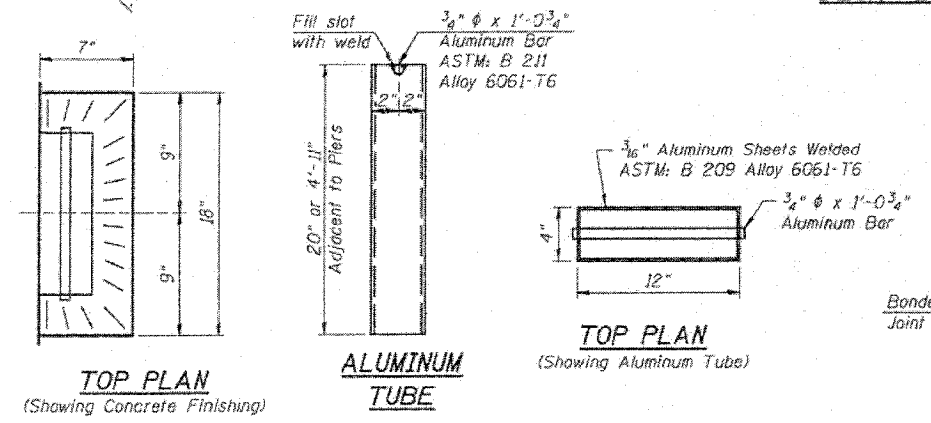


SUPERSTRUCTURE BILL OF MATERIAL

Bar	No.	Size	Length	Shops
a1(E)	22	#9	31'-6"	---
a1(E)	22	#10	26'-0"	---
a2(E)	12	#6	18'-2"	---
a3(E)	6	#6	16'-8"	---
a4(E)	11	#9	43'-3"	---
b(E)	192	#5	4'-6"	---
Concrete Removal				Cu. Yd. 34.7
Floor Drains				Each 14
Concrete Superstructure				Cu. Yd. 22.1
Bridge Deck Grooving				Sq. Yd. 444
Protective Coat				Sq. Yd. 465
Furnishing & Erecting Structural Steel				L sum 1
Reinforcement Bars, Epoxy Coated				Lbs. 7,820
Structural Repair Of Concrete (Depth Greater Than 5")				Sq. Ft. 166
Bridge Deck Microsilica Concrete Overlay				Sq. Yd. 464
Bridge Deck Hydro-Scarification				Sq. Yd. 422

SIZE	LAP
#4	1'-8"
#5	2'-2"
#6	2'-7"
#7	3'-5"
#8	4'-6"
#9	5'-9"
#10	7'-3"



NOTES:

* Region around armor angle shall be poured and included with bridge deck microsilica concrete overlay.

Reinforcement bars designated (E) shall be epoxy coated.

SUPERSTRUCTURE DIXON AVENUE OVER HENNEPIN CANAL SECTION 01-00125-00-BR S.N. 098-3000 CITY OF ROCK FALLS

WHA # 1093D07

Revised 6-208