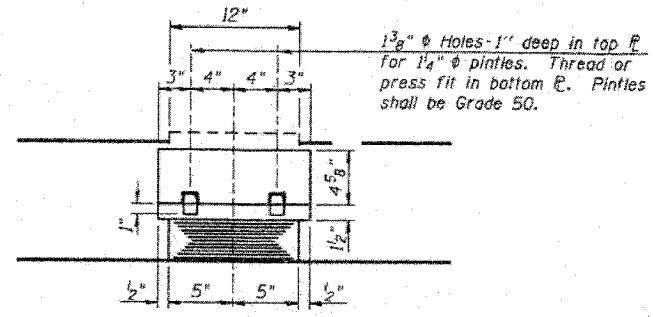
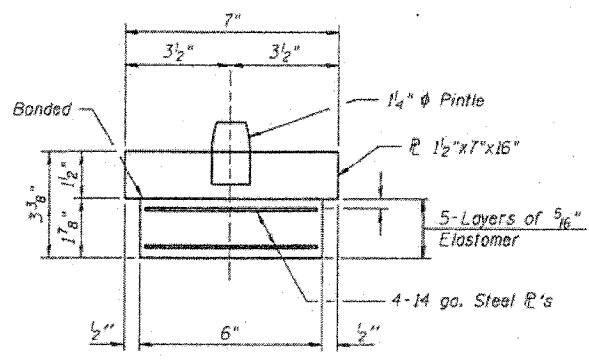


ELEVATION AT ABUT.



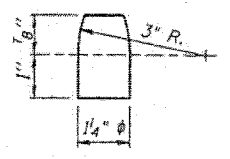
SECTION A-A

TYPE I ELASTOMERIC EXP. BRG.



BEARING ASSEMBLY

NOTE:
 Shim R's shall not be placed under Bearing Assembly.
 Provide two 1/8" Shim R's per bearing.
 The exposed surface of the existing bearing plates shall be cleaned & painted in accordance with "Cleaning & Painting Contact Surface Areas of Existing Steel Structures". This cost shall be included in the contract price per Each for Elastomeric Bearing Assembly Type I.



PINTLE

Boring No.	Station	Offset	Elevation	N	Qu t/s.f.	w (%)	Surface Water El.	Groundwater El. at Completion	After _____ Hours	Elevation	N	Qu t/s.f.	w (%)
2	1+32	48' Lt.	637.7	0				635.7					
Augered 3.5' in ground to seat auger													
H ₂ O level													
634.2													
Medium, brown sand & gravel w/ boulders													
-5 20													
Dense, brown, sand & gravel w/ boulders													
40													
Sampler rejected fluid brown sand on end of sampler													
-10 100													
Began coring Elev. 626.7													
Hard, yellow brown silt Stone, Small geodes of Calcite crystals													
-15													
Stopped coring Elev. 622.2													

Boring No.	Station	Offset	Elevation	N	Qu t/s.f.	w (%)
1	2+16	22' Rt.	637.7	0		
Augered 3.0' in ground Auger rejected at this depth so began to core.						
Began Coring Elev. 634.7						
Cored 9.0' yellow brown, hard silt stone & gravel recovered from core barrel						
-5						
-10						
Stopped Coring Elev. 625.7						

EXISTING BORINGS FOR INFORMATION

REACTION TABLE	
LOAD	REACTION
Dead Load	13.00 k
Live Load	14.90 k
Impact	4.47 k
Total	32.37 k
Girder Slope	0.47%
Expansion Length	46'

BILL OF MATERIAL

Item	Unit	Total
Elastomeric Bearing Assembly, Type I	Each	24

TYPE I ELASTOMERIC BEARING DETAILS
 DIXON AVENUE OVER HENNEPIN CANAL
 SECTION 01-00125-00-BR
 S.N. 098-3000
 CITY OF ROCK FALLS
 WHA # 1093D07

Revised 6-2-08