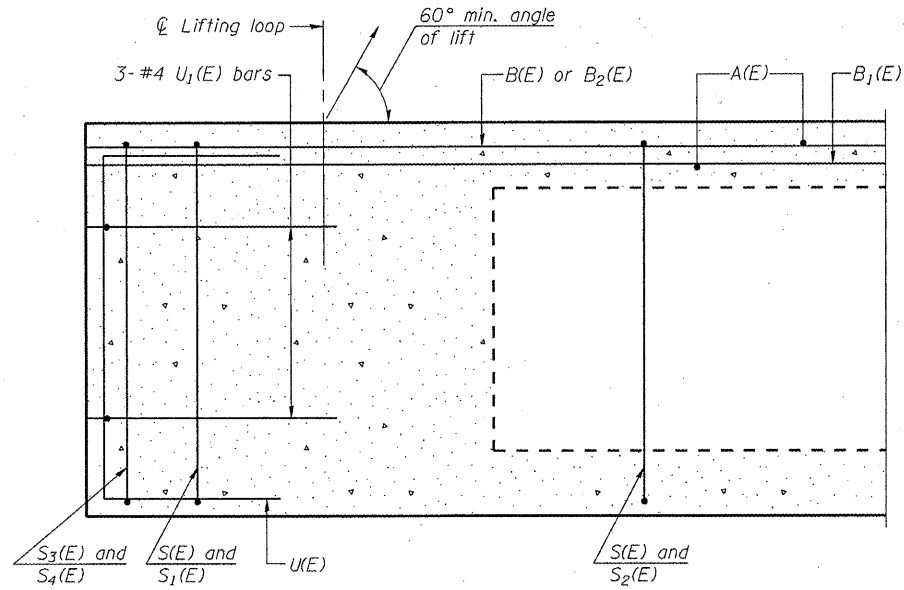


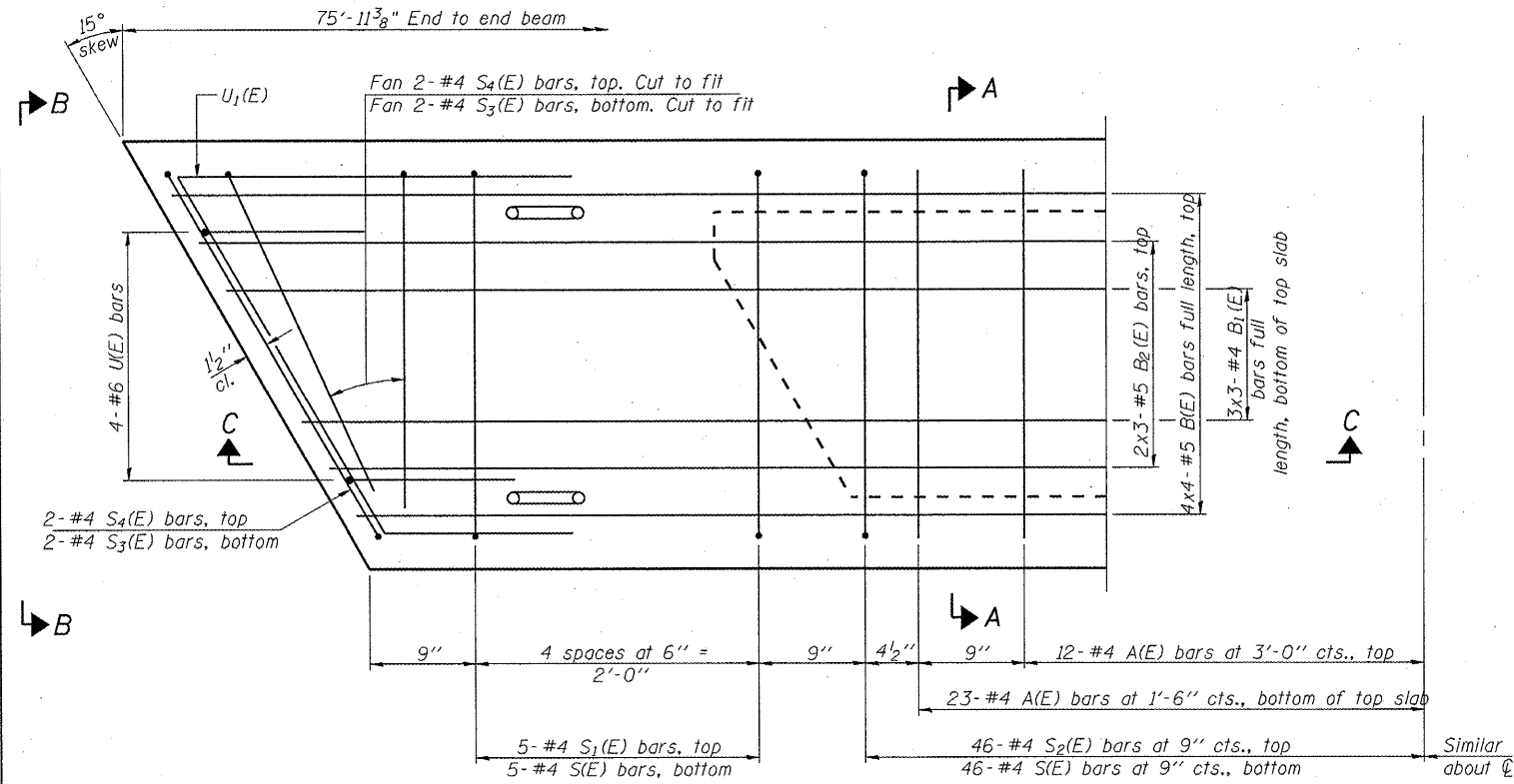
ROUTE NO.	SECTION	COUNTY	TOTAL SHEETS	SHEET NO.
CH 20	06-00146-00-BR	HENRY	9	6
STA.	TO STA.			
F.H.W.A. REG.	ILLINOIS	PROJECT		

PLAN	SURVEYED	DATE
	ALIGNED	
	PLOTTED	
	CHECKED	
	BY	
	NO. OF WAY CHECKED	
	NO.	

PROFILE	SURVEYED	DATE
	GRADES CHECKED	
	B.M.s NOTED	
	STRUCTURE NOTATIONS CHKD	
	NO.	



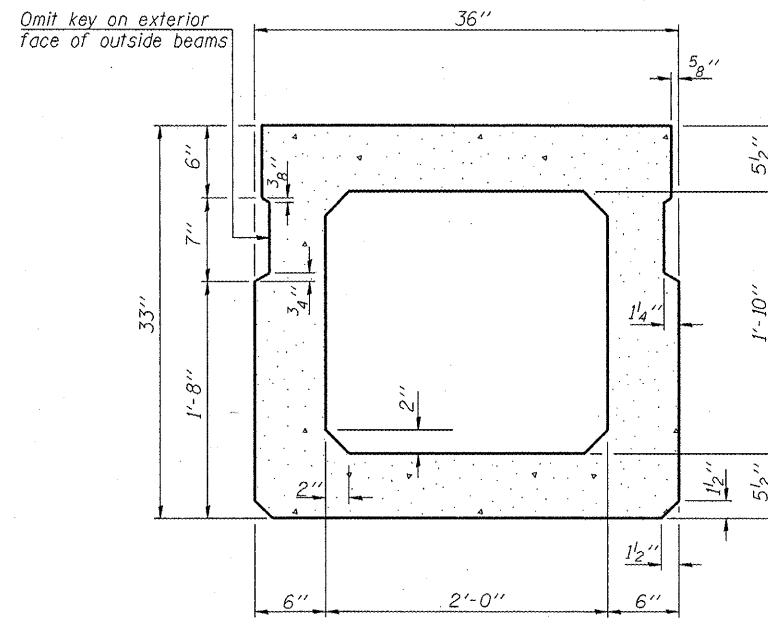
SECTION C-C



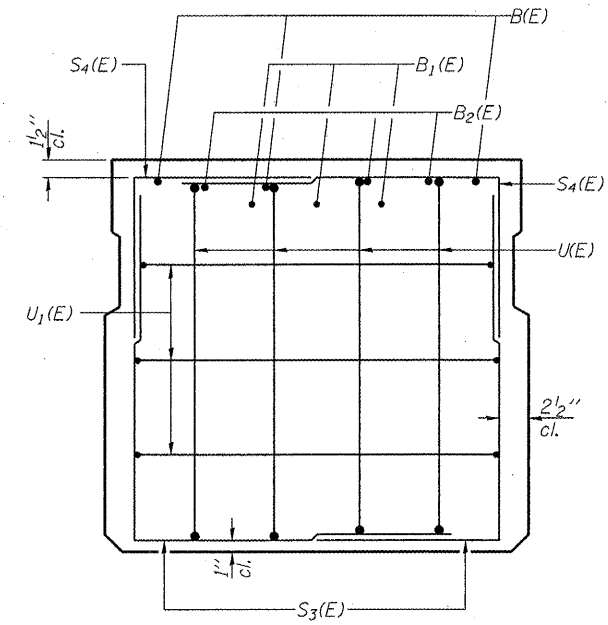
PLAN VIEW

PD-3336-R 8-29-07

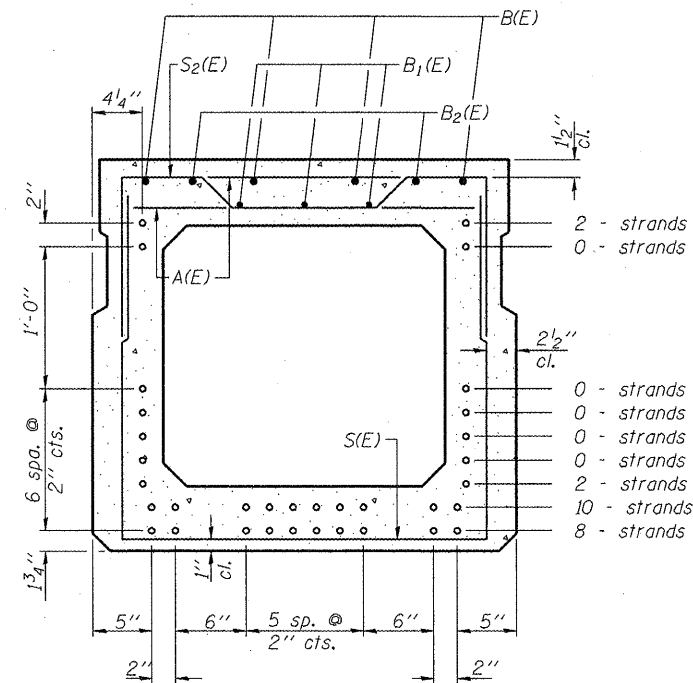
Note: Spacing of S(E) and S2(E) bars may be adjusted up to 4" in the immediate area of the transverse tie diaphragms to miss the block outs for the transverse ties.



SECTION A-A
(Showing dimensions)



VIEW B-B



SECTION A-A

(Showing reinforcement and permissible strand locations)

Note: Place the number of strands specified in each row symmetrically about the centerline of beam in the permissible strand locations shown.

Strand Pattern 22SS (8@1 3/4", 10@3 3/4", 2@5 3/4", 2@27 3/4")

BAR LIST
ONE BEAM ONLY
(For information only)

Bar	No.	Size	Length	Shape
A(E)	70	#4	2'-7"	—
B(E)	16	#5	20'-5"	—
B1(E)	9	#4	26'-6"	—
B2(E)	6	#5	26'-9"	—
S(E)	102	#4	7'-5"	U
S1(E)	10	#4	6'-3"	U
S2(E)	92	#4	6'-6"	U
S3(E)	8	#4	4'-11"	U
S4(E)	8	#4	4'-4"	U
U(E)	8	#6	5'-0"	U
U1(E)	6	#4	5'-9"	U

33" x 36" PPC DECK BEAM

SUPER STRUCTURE
SECTION: 06-00146-00-BR
HENRY COUNTY
STATION 103+85