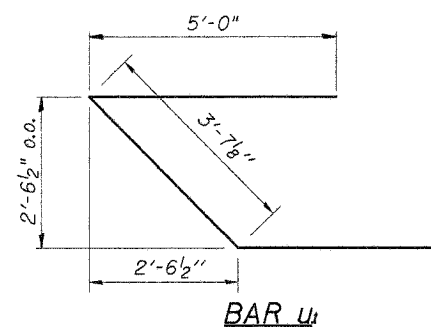
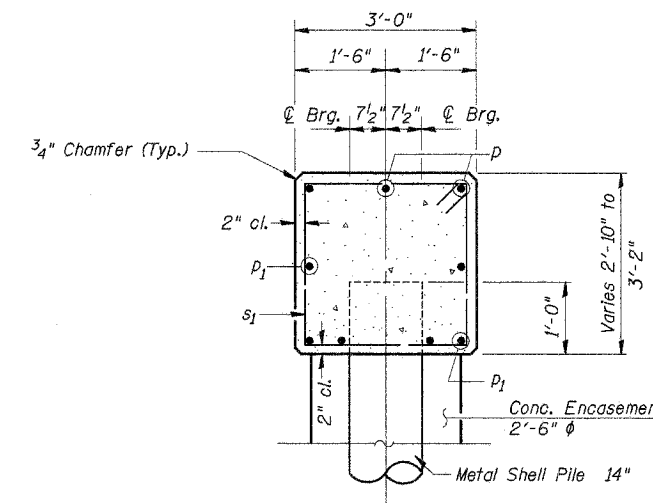
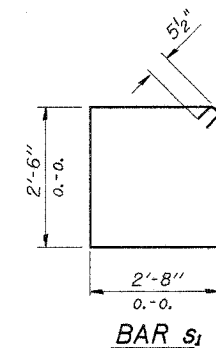
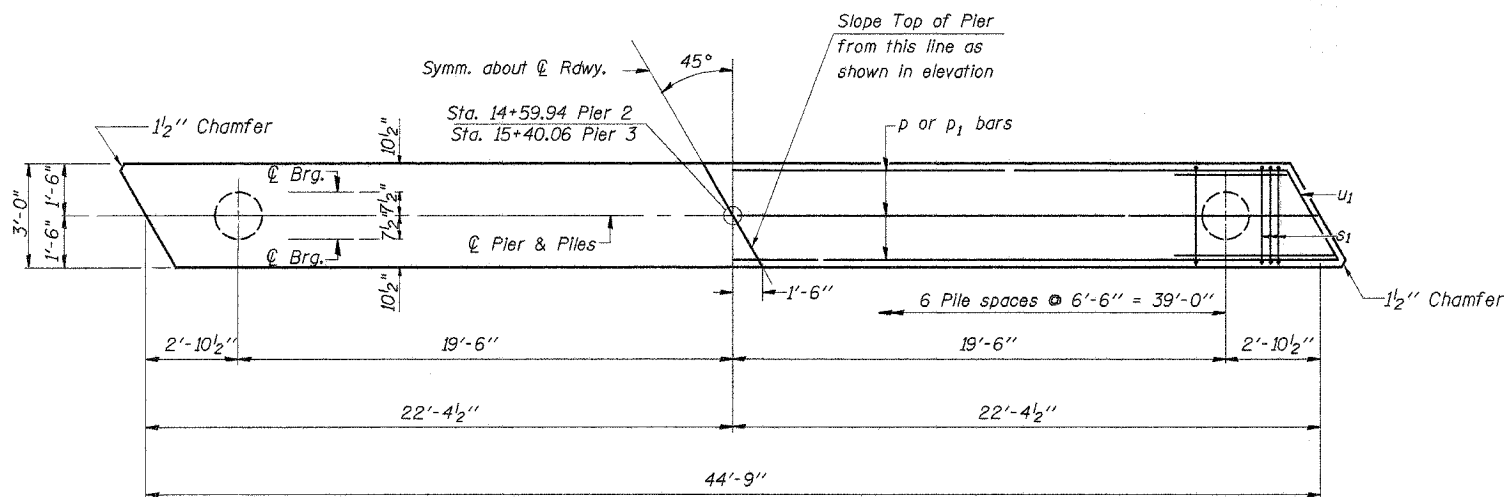


ROUTE NO.	SECTION	COUNTY	TOTAL SHEETS	SHEET NO.
T.R. 159	01-11126-00-BR	IROQUOIS	23	11
DOUGLAS ROAD DIST.		ILLINOIS	BROS-075(128)	

CONTRACT NO. 87300

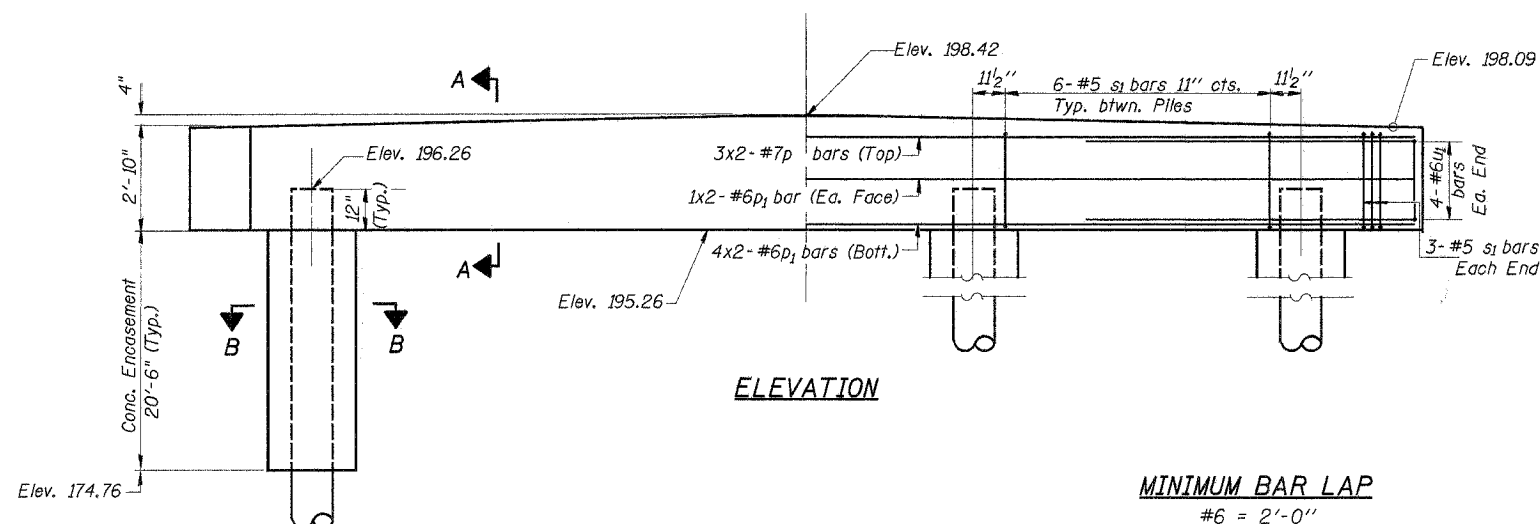
Note: All edges shall have standard 3/4" chamfer except as noted.



BILL OF MATERIAL - 2 PIERS

BAR	NO.	SIZE	LENGTH	SHAPE
p	12	#7	23'-7"	—
p ₁	24	#6	23'-3"	—
s ₁	84	#5	11'-3"	□
u ₁	16	#6	13'-7"	—
Concrete Structures			Cu. Yd.	29.2
Reinforcement Bars			Pound	2730
Metal Shell Piles 14"			Foot	1040
Test Pile Metal Shells			Each	1
Conc. Encasement			Cu. Yd.	40.8

See Sheet 12 For Pile Details



MINIMUM BAR LAP

#6 = 2'-0"
#7 = 2'-9"

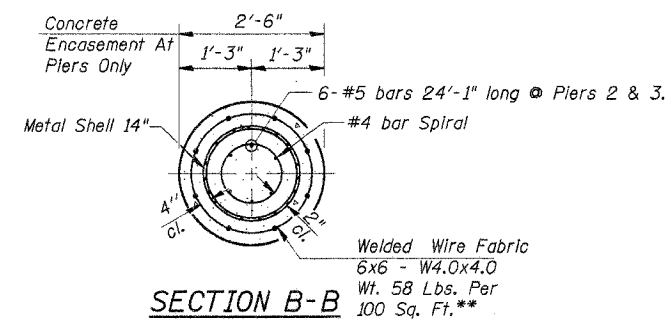
PILE DATA

Type & Size..... Metal Shell - 14 in. Dia. x 0.250 in. walls
No. Req'd. (2 Piers) *14
Nominal Required Bearing..... 408 kips
Allowable Resistance Available..... 136 kips
Estimated Length..... 80 ft.

*Includes 1 Test Pile to be driven in a permanent location at pier 2.

The test piles shall be driven to 110 percent of the Nominal Required Bearing Indicated above.

** The cost of Reinforcement is incidental to the cost of "Conc. Encasement". Extend Reinforcement 1'-0" into cap.



PILE ENCASEMENT DETAIL

DESIGNED	P.S.L.
CHECKED	S.F.M.
DRAWN	S.A.P. & J.P.S.
CHECKED	S.F.M.

PIERS 2 & 3

SECTION 01-11126-00-BR
DOUGLAS ROAD DISTRICT
IROQUOIS COUNTY
STATION 14+69.94

4440 ASH GROVE SPRINGFIELD, IL 62711 (217) 793-8600 www.fehr-graham.com	FEHR-GRAHAM & ASSOCIATES, LLC ENGINEERING AND SCIENCE CONSULTANTS FERRIS, ROCKFORD, ROCKFORD, ILLINOIS	JOB NO.: 46815 FILE: 0228PIER2.DGN DATE: 12/08/06
--	---	---