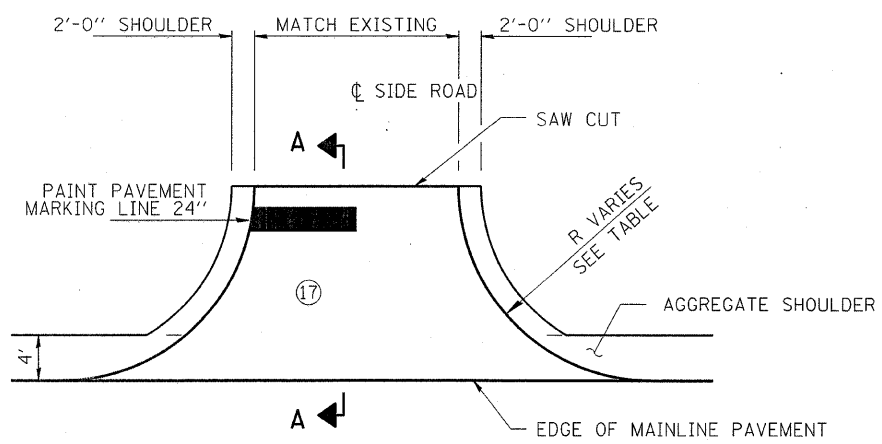
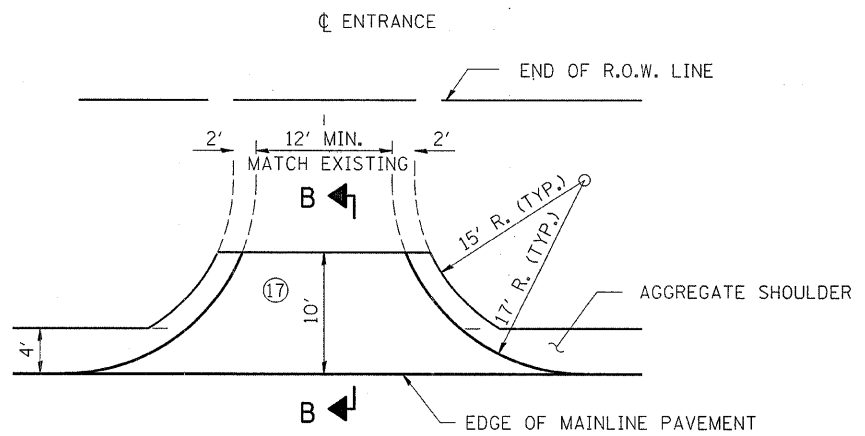


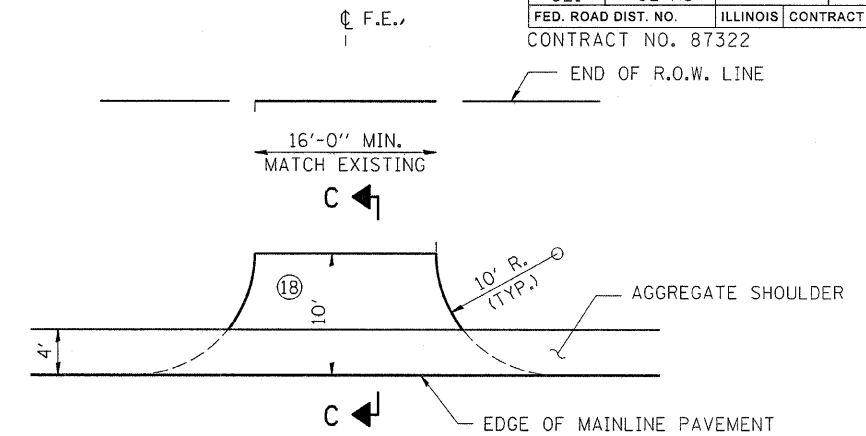
ROUTE NO.	SECTION	COUNTY	TOTAL SHEETS	SHEET NO.
F.A.S. 321	05-00057-02-RS	IROQUOIS	100	18
FED. ROAD DIST. NO.		ILLINOIS	CONTRACT NO.	
			87322	



**SIDE ROAD DETAIL**

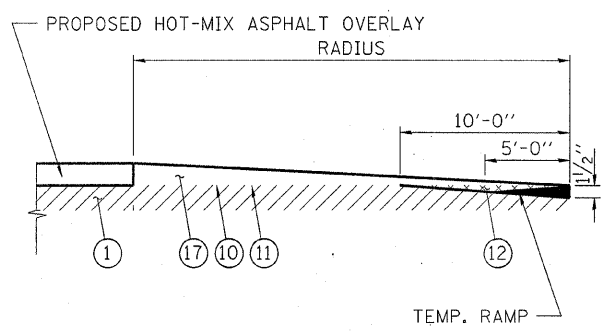


**PRIVATE ENTRANCE DETAIL**

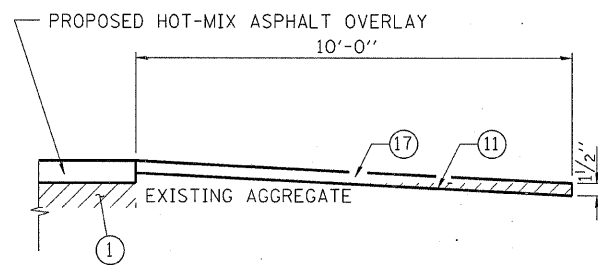


**FIELD ENTRANCE DETAIL**

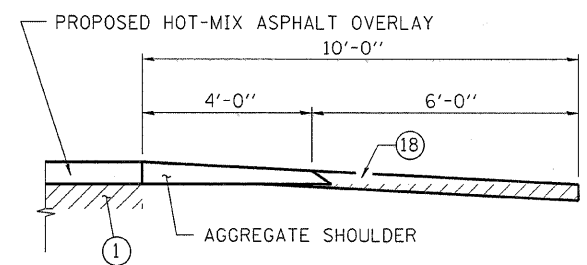
STATION	LOCATION	RADIUS	SECTION
☐ STA. 600+00	SR 1500 E (NORTH)	35	A-A
☐ STA. 600+00	SR 1500 E (SOUTH)	35	A-A
☐ STA. 700+00	SR 1600 E (NORTH)	35	A-A
☐ STA. 700+00	SR 1600 E (SOUTH)	30	A-A



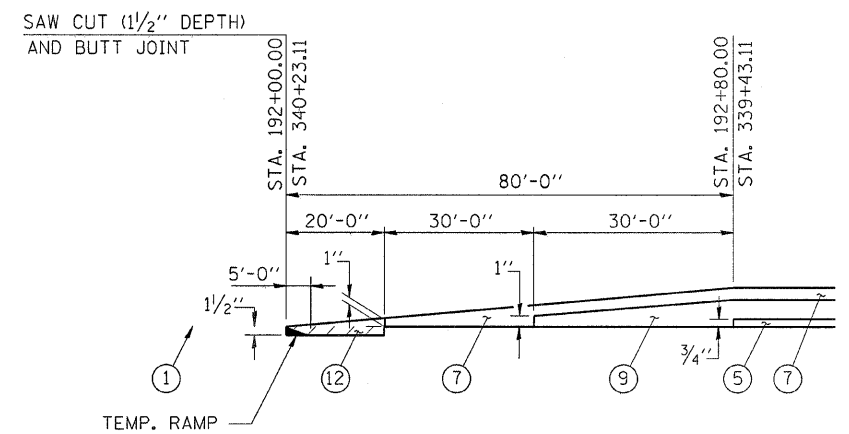
**SECTION A-A**



**SECTION B-B**



**SECTION C-C**



**PAVEMENT TRANSITION DETAIL**

**LEGEND**

- ① EXISTING HMA SURFACE 3"
- ② EXISTING AGGREGATE BASE COURSE 11"
- ③ PCC CONCRETE PAVEMENT
- ④ EXISTING AGGREGATE BASE COURSE 9"
- ⑤ EXISTING EARTH SHOULDERS
- ⑥ EXISTING STEEL PLATE BEAM GUARDRAIL
- ⑦ HOT-MIX ASPHALT SURFACE COURSE, MIX C, N50 (1 1/2" THICKNESS MIN.)
- ⑧ LEVELING BINDER (MACHINE METHOD) N50 (0.75" MINIMUM THICKNESS)
- ⑨ LEVELING BINDER (MACHINE METHOD) N50 (1.75" THICKNESS MIN)
- ⑩ BITUMINOUS MATERIALS (PRIME COAT)
- ⑪ AGGREGATE (PRIME COAT)
- ⑫ HOT-MIX ASPHALT SURFACE REMOVAL, BUTT-JOINT
- ⑬ HOT-MIX ASPHALT SHOULDERS 3"
- ⑭
- ⑮ STEEL PLATE BEAM GUARDRAIL TYPE A
- ⑯ EARTH EMBANKMENT
- ⑰ INCIDENTAL HOT-MIX ASPHALT SURFACING
- ⑱ AGGREGATE SHOULDER TYPE A 6"
- ⑳ HOT MIX ASPHALT SHOULDERS 6"
- ㉑ STONE RIPRAP CLASS A-4
- ㉒ FILTER FABRIC

**HAMPTON, LENZINI & RENWICK, INC.**  
 CIVIL & STRUCTURAL ENGINEERS  
 LAND SURVEYORS

3085 STEVENSON DRIVE, SUITE 201  
 SPRINGFIELD, ILLINOIS 62703  
 (217) 546-3400

ELGIN • SPRINGFIELD

PROJECT NUMBER: 03-46-0001-1    DATE: 03/04/08  
 DESIGNED: L.F.S.    CHECKED:    DRAWN: W.J.S.

**ENTRANCE DETAILS**  
 F.A.S. 321 / C.H. 4  
 SECTION 05-00057-02-RS  
 IROQUOIS COUNTY

PLOT DATE: 3/13/2008 FILE NAME: 46001-shr-entdet.dgn