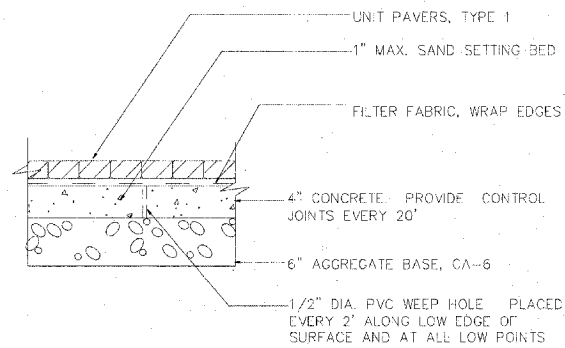


CONCRETE PAVERS - TYPE 1 & 2  
 STATION: 2+40 TO 2+56

SCALE 1" = 1'-0"



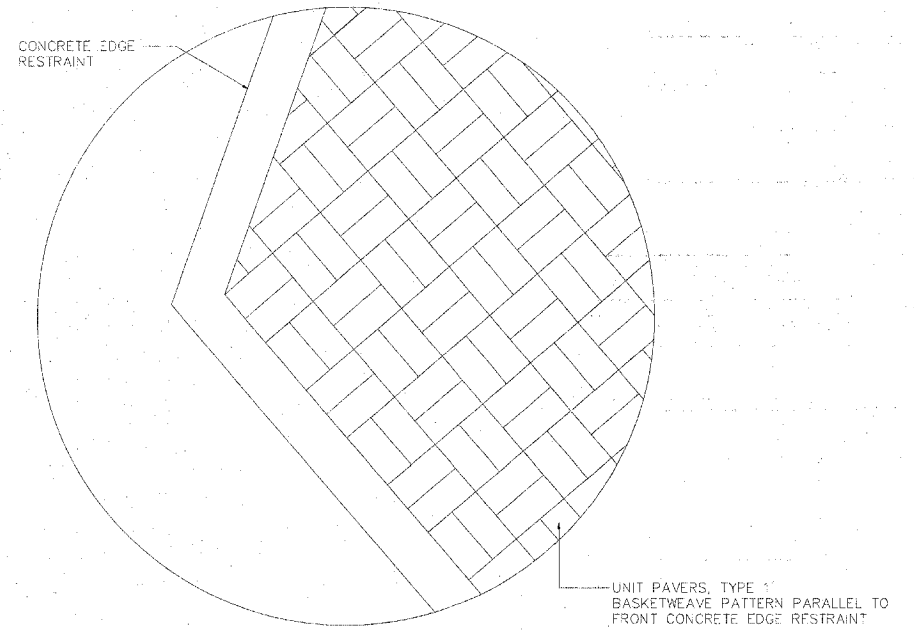
NOTES:

1. PLACE 1/2" WEEP HOLE IN CONCRETE IN 2'x2' GRID PATTERN.
2. SEE BUMPOUT DETAIL FOR TYPICAL PAVER PATTERN.
3. SEE PAVER PATTERN AT WAYSIDE INFORMATION GAZEBO PLAZA.
4. CONCRETE BASE EXTENDS UNDER PRECAST WALL - TYPE A. SEE PRECAST WALL - TYPE A DETAIL. THICKENED CONCRETE EDGE INCIDENTAL TO UNIT PAVER COST.

UNIT PAVERS - TYPE 1

STATION: 9+24 TO 9+73, 12+59 TO 13+12, 13+3 TO 13+19, 31+12 TO 31+26

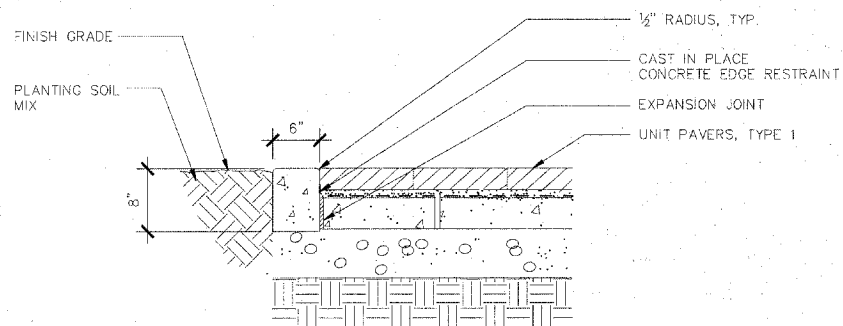
SCALE 1" = 1'-0"



PAVER PATTERN AT WAYSIDE INFORMATION GAZEBO PLAZA

STATION: 31+12 TO 31+26

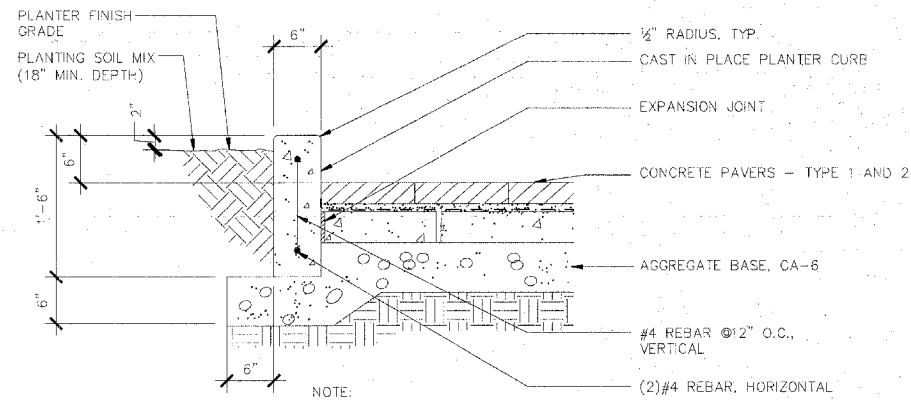
NTS



CONCRETE EDGE RESTRAINT

STATION: 31+12 TO 31+26, 13+08 TO 13+19, 9+44 TO 9+57

SCALE 1" = 1'-0"

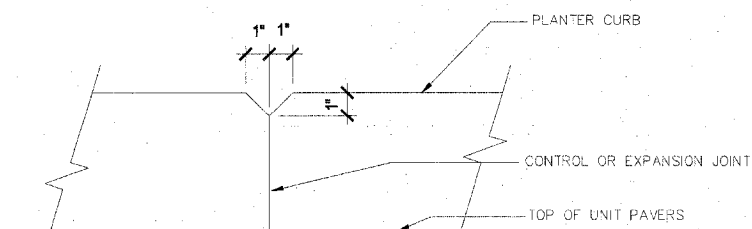


PLANTER CURB

STATION: 2+40 TO 2+56

SCALE 1" = 1'-0"

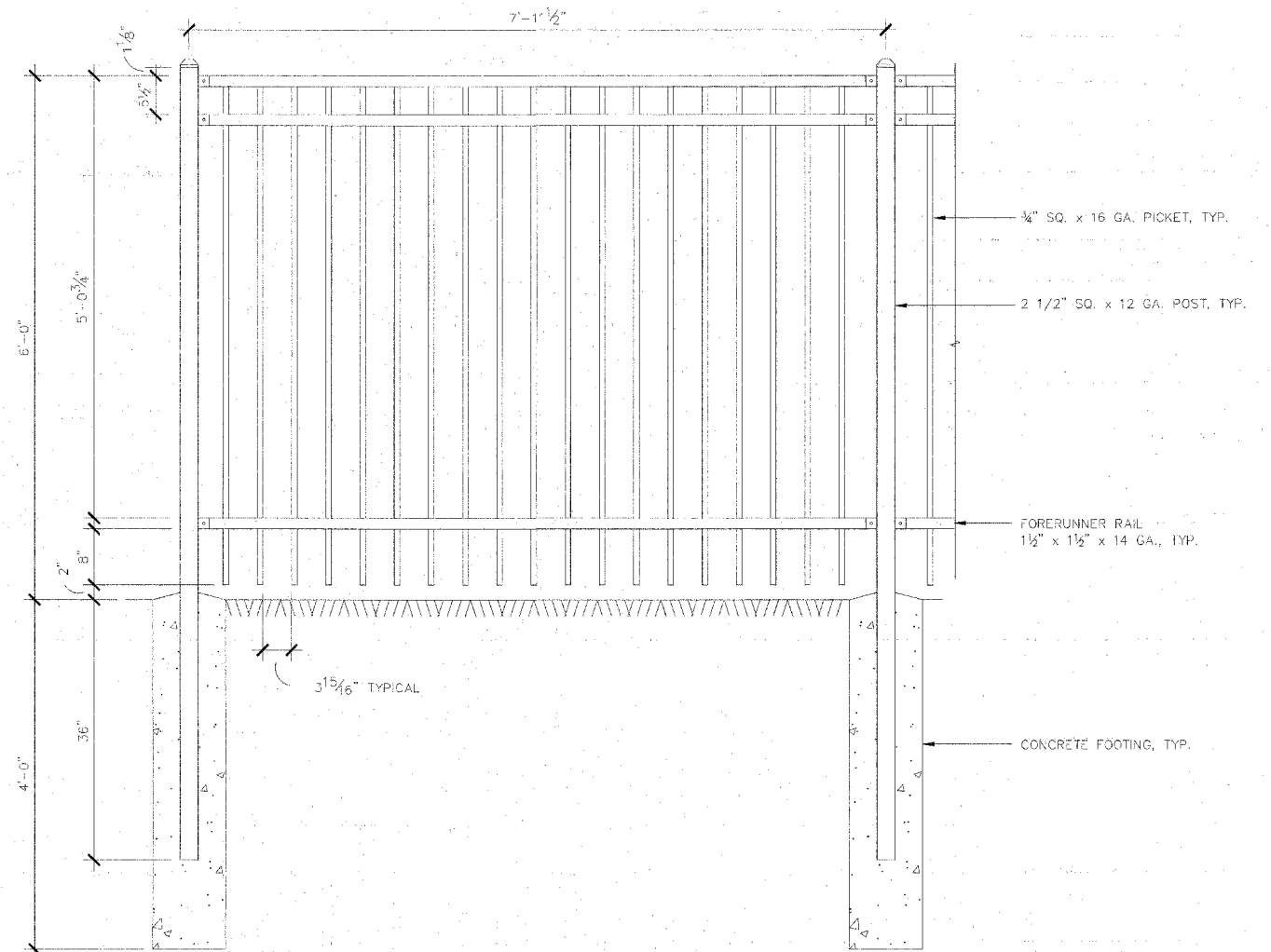
NOTE: 1. SEE PLANTER CURB JOINT DETAIL



PLANTER CURB JOINT DETAIL

STATION: 2+40 TO 2+56

NTS



ORNAMENTAL FENCE

STATION: APPROX. 2+40 TO 2+56 RT

SCALE 1" = 1'-0"

FILE NAME = USER NAME = SAA  
 DESIGNED - SAA  
 DRAWN - SAA  
 CHECKED - CPS  
 DATE - 04/10/08

FILE NAME =	USER NAME = SAA	DESIGNED - SAA	REVISED -
E:\05\08a\08r1501A\CADD\Road\Sheet\SAA\VP-9.DWG		DRAWN - SAA	REVISED -
DESIGNED - SAA		CHECKED - CPS	REVISED -
DATE - 04/10/08		DATE - 04/10/08	REVISED -

STATE OF ILLINOIS  
 DEPARTMENT OF TRANSPORTATION

LANDSCAPING - PAVERS & FENCE DETAILS  
 EAST LINCOLN HIGHWAY  
 LIGHTING AND STREETSCAPE  
 DEKALB, IL

F.A.P. RTE.	SECTION	COUNTY	TOTAL SHEETS	SHEET NO.
567	06-00173-00-LT	DEKALB	41	21
CONTRACT NO. 87337				

SCALE: AS SHOWN SHEET NO. OF SHEETS STA. TO STA.

FAP 567 ILLINOIS IEP 32025