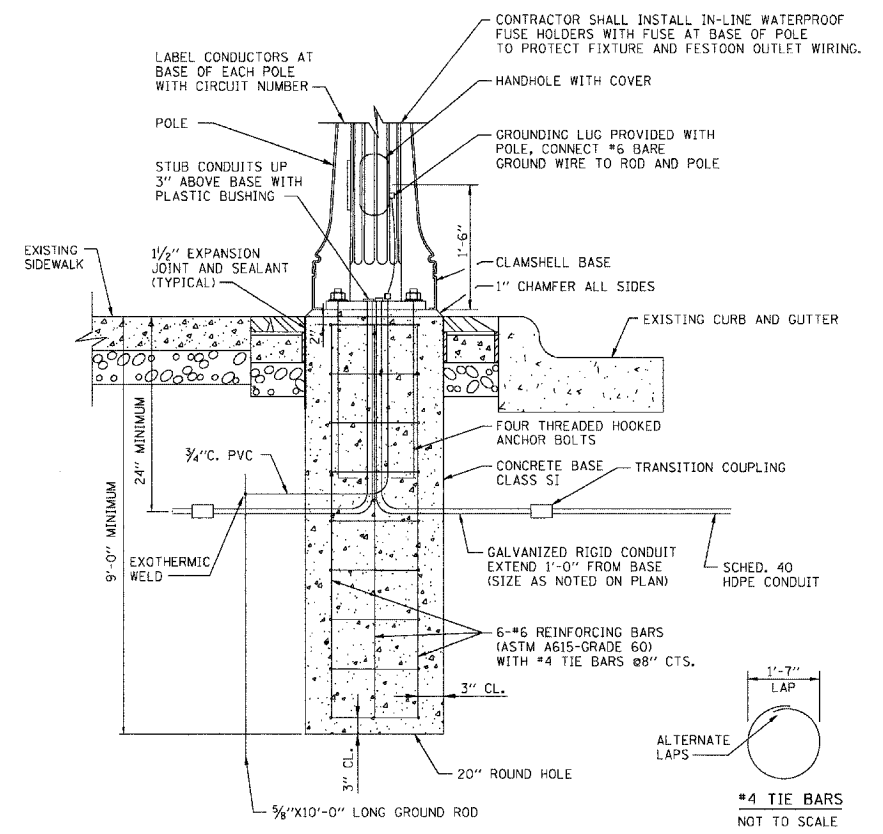
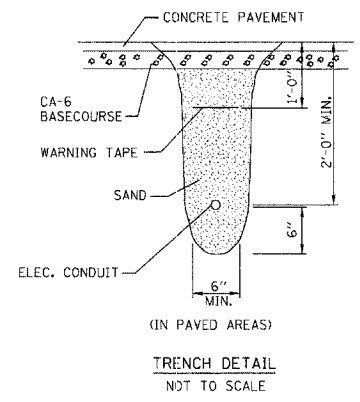
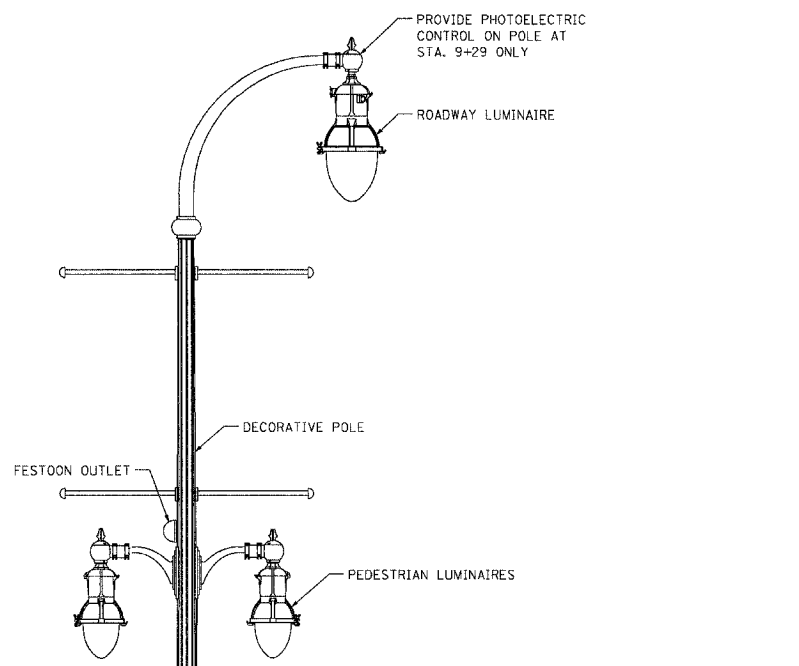
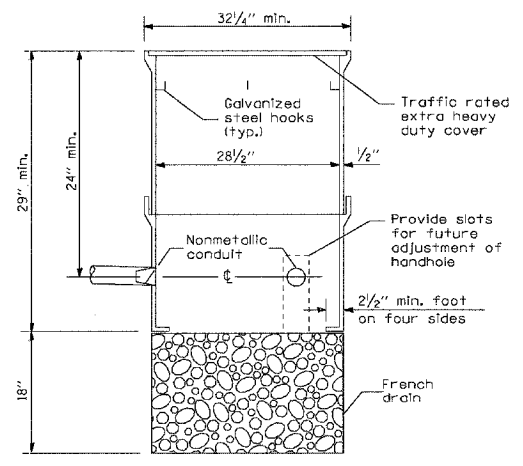
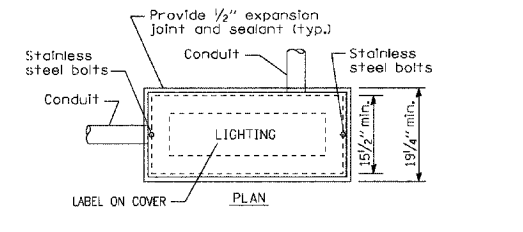
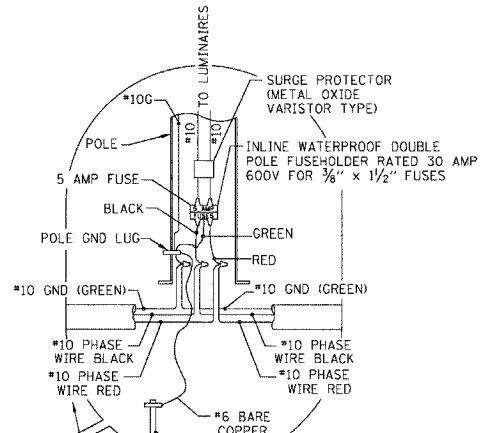


PLT 01/10/08
AN 04/10/08
REVISED 01/10/08
LAYOUT 01/10/08
Huss00441
D:\2\2008\03\30_Pix
D:\2\2008\03\30_Pix
D:\2\2008\03\30_Pix
D:\2\2008\03\30_Pix

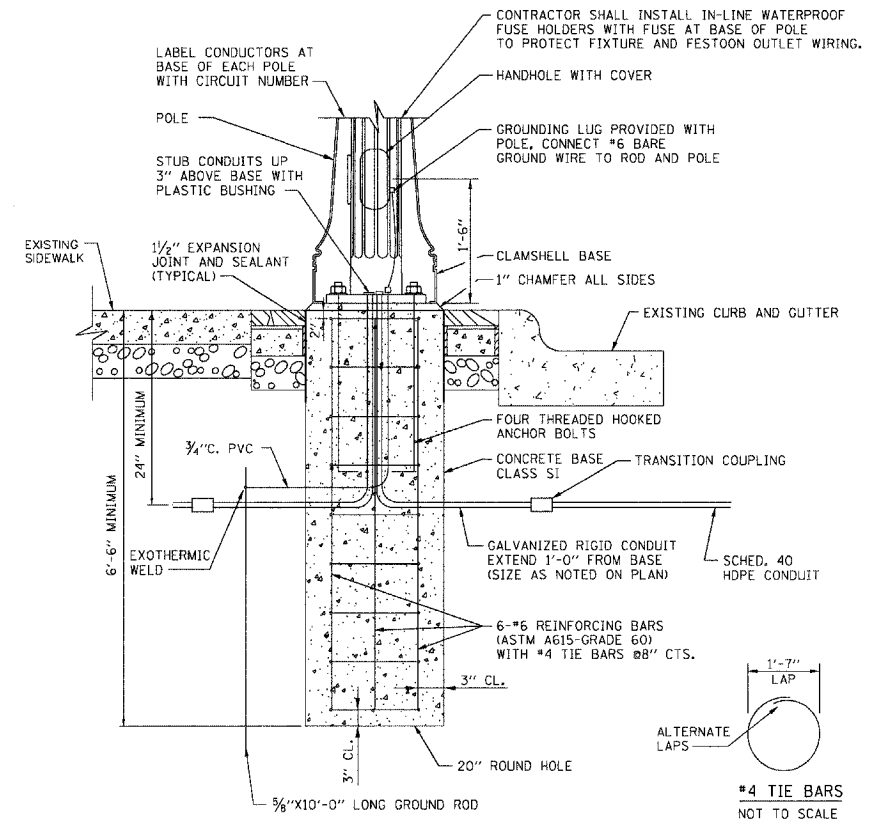


LIGHT POLE FOUNDATION DETAIL - TYPE I
NOT TO SCALE (LIGHT POLES A & B)

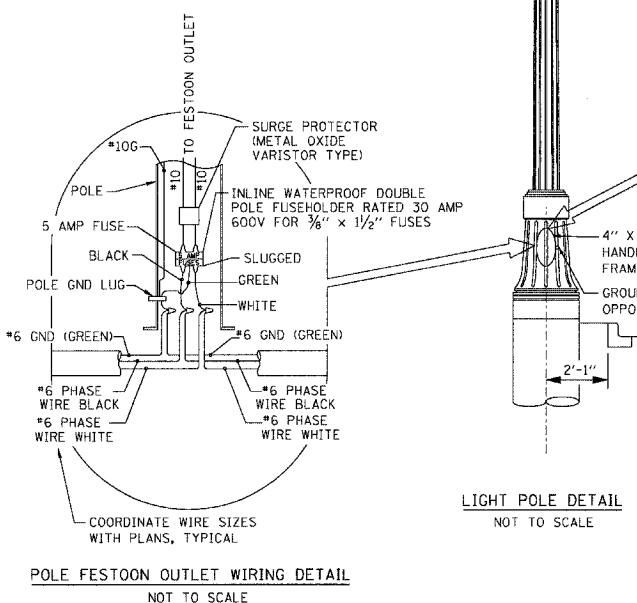
NOTE:
REFER TO STREET SCAPE LIGHTING
DETAIL SHEET FOR DECORATIVE
LIGHT TYPES A, B, & C.



COMPOSITE CONCRETE
NOT TO SCALE



LIGHT POLE FOUNDATION DETAIL - TYPE II
NOT TO SCALE (LIGHT POLE C)



LIGHT POLE DETAIL
NOT TO SCALE

STATE OF ILLINOIS
DEPARTMENT OF TRANSPORTATION

ROADWAY LIGHTING ELECTRICAL DETAILS
EAST LINCOLN HIGHWAY
LIGHTING AND STREETSCAPE
DEKALB, IL

F.A.P. RTE. 567	SECTION 06-00173-00-LT	COUNTY DEKALB	TOTAL SHEETS 41	SHEET NO. 32
CONTRACT NO. 87337			ILLINOIS ITP 32025	

SCALE: AS SHOWN SHEET NO. OF SHEETS STA. TO STA.