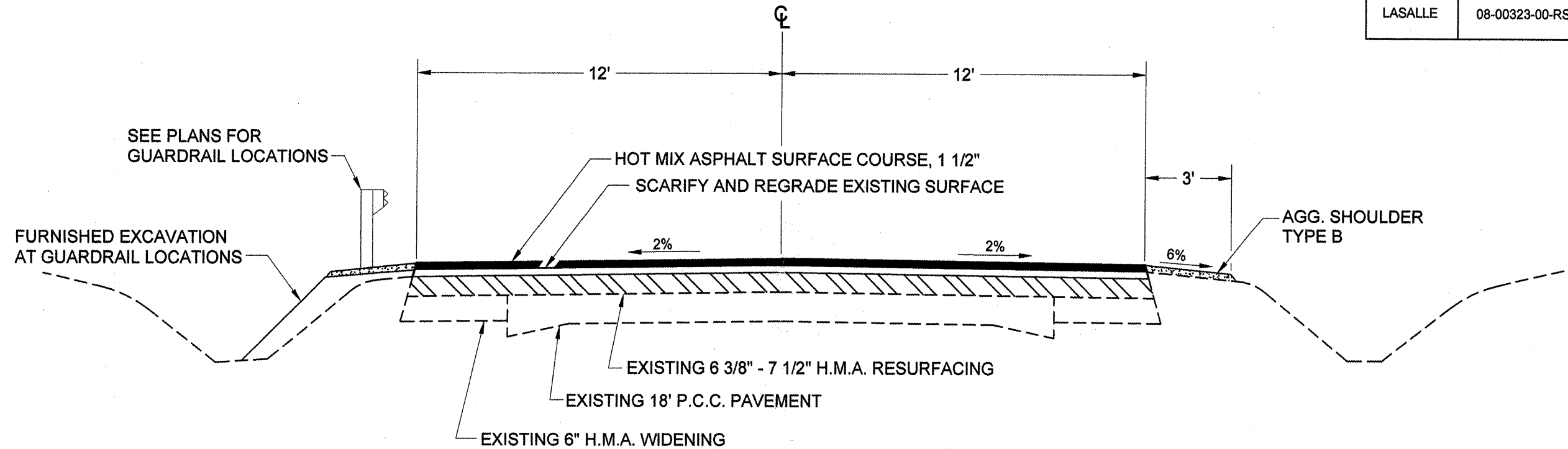


COUNTY	SECTION	HWY. NO.	SHEET NO.
LASALLE	08-00323-00-RS	C.H. 44	2 OF 6



TYPICAL SECTION #1
 STA. 10+45 TO STA. 272+82
 STA. 277+34 TO STA. 290+16
 (STA. 290+16 IS THE NORTH CITY LIMIT OF DANA)

MIXTURE REQUIREMENTS	
SECTION 08-00323-00-RS	
MIXTURE USE	HMA SURFACE CSE.
PG:	PG 64-22
DESIGN AIR VOIDS:	4% @ N50
MIXTURE COMPOSITION:	IL-9.5
FRICTION AGGREGATE:	MIXTURE C

GENERAL NOTES

THE THICKNESS OF BITUMINOUS MIXTURES SHOWN ON THE PLANS IS THE NORMAL THICKNESS. DEVIATIONS FROM THE NOMINAL THICKNESS WILL BE PERMITTED WHEN SUCH DEVIATIONS OCCUR DUE TO IRREGULARITIES IN THE EXISTING SURFACE OR BASE ON WHICH THE BITUMINOUS MIXTURE IS PLACED.

THE BITUMINOUS SURFACE OF ALL MAILBOX TURNOUTS, PRIVATE ENTRANCES, COMMERCIAL ENTRANCES, AND SIDE ROADS SHALL BE MADE NEATLY, IN A WORKMANLIKE MANNER, AND SHALL ACCURATELY CONFORM TO THE SHAPES AND DIMENSIONS SHOWN ON THE PLAN DETAILS. IF REQUIRED BY THE ENGINEER, THE CONTRACTOR SHALL BE REQUIRED TO SAW CUT THE BITUMINOUS SURFACE TO CONFORM TO THE SHAPES AND DIMENSIONS SHOWN ON THE PLAN DETAILS. THIS WORK SHALL BE INCLUDED IN THE COST OF THE BITUMINOUS SURFACE.

ANY REFERENCE TO A STANDARD IN THESE PLANS SHALL BE INTERPRETED TO MEAN THE EDITION AS INDICATED BY THE SUBNUMBER LISTED ON THE INDEX OF SHEETS OR THE COPY OF THE STANDARD INCLUDED IN THESE PLANS.

THE FOLLOWING RATES OF APPLICATION HAVE BEEN USED IN CALCULATING PLAN QUANTITIES.	
GRANULAR MATERIALS	2.05 TONS/CU YD
BITUMINOUS MATERIALS (PRIME COAT)	0.10 GAL/SQ YD
AGREGATE PRIME COAT	0.002 TONS/SQ YD
HOT MIX ASPHALT BINDER AND SURFACE COURSE	112 LBS/SQ YD/INCH
ASPHALT MODIFIER	0.20 GAL/SQ YD
SHORT-TERM PAVEMENT MARKING	4 FT/40 FT EACH APPLICATION