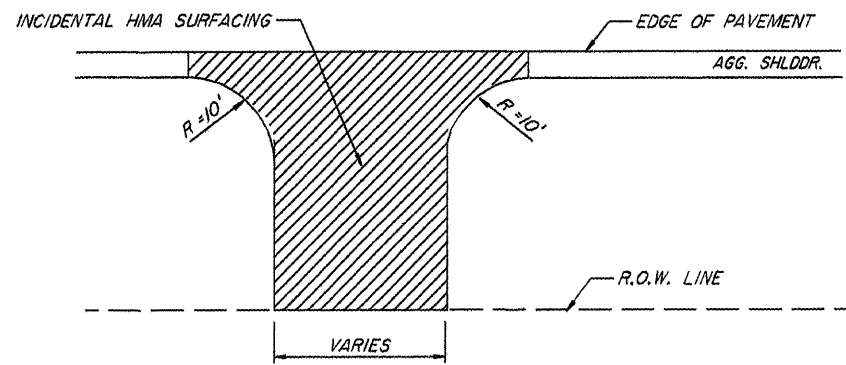
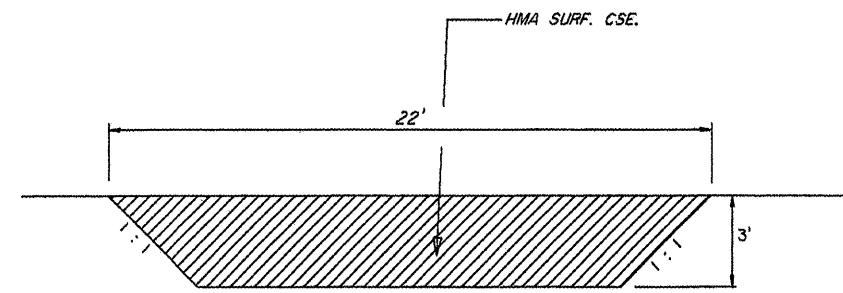


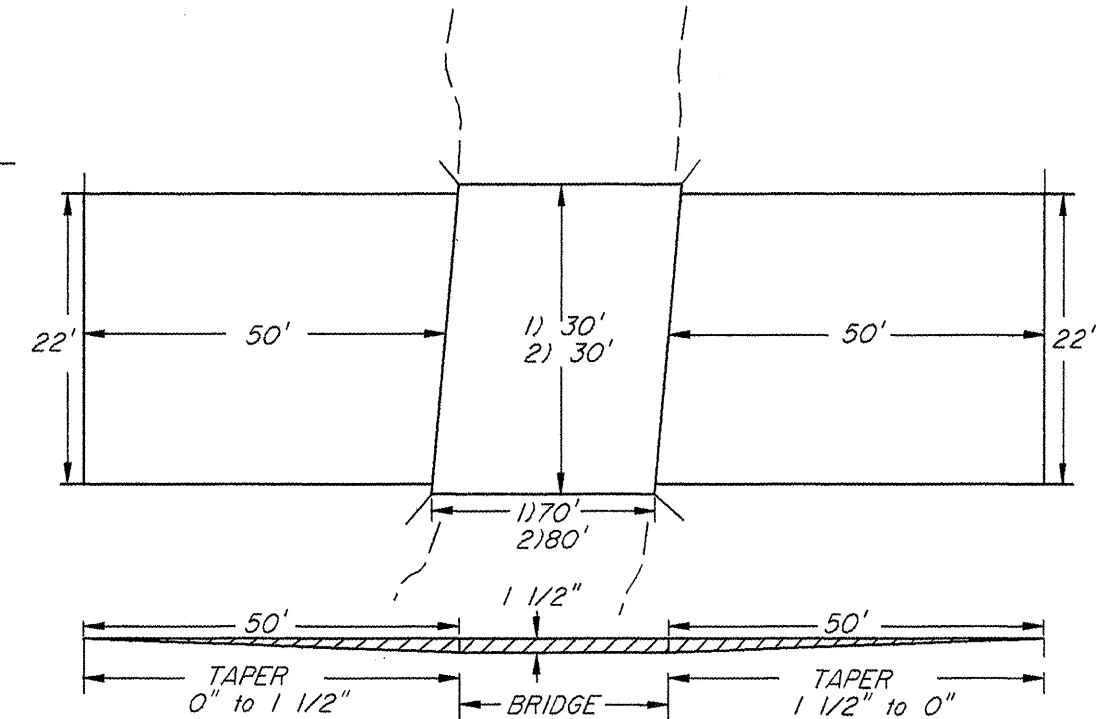
COUNTY	SECTION	HWY.NO.	SHEET NO.
LASALLE	08-00323-00-RS	44	6 of 6



TYPICAL PRIVATE ENTRANCE

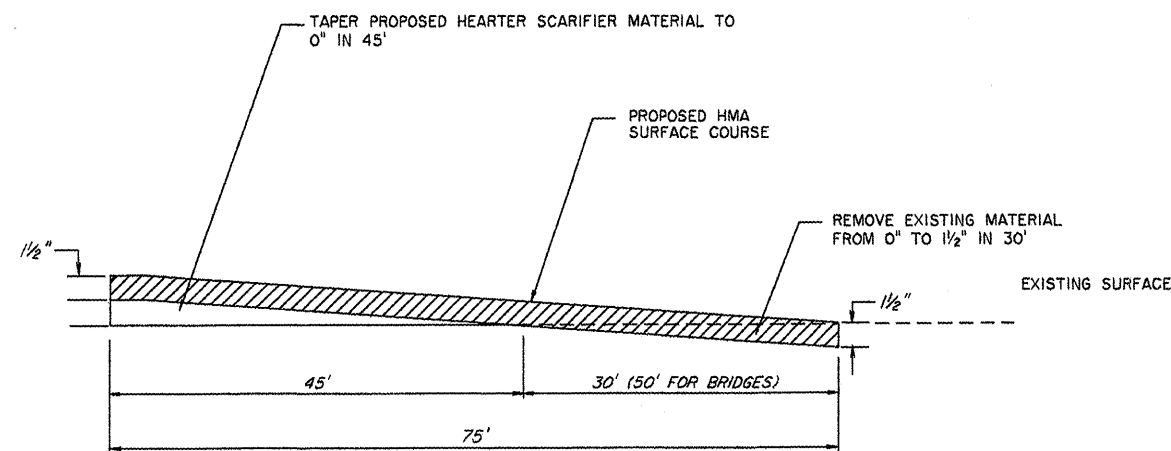


TYPICAL FIELD ENTRANCE



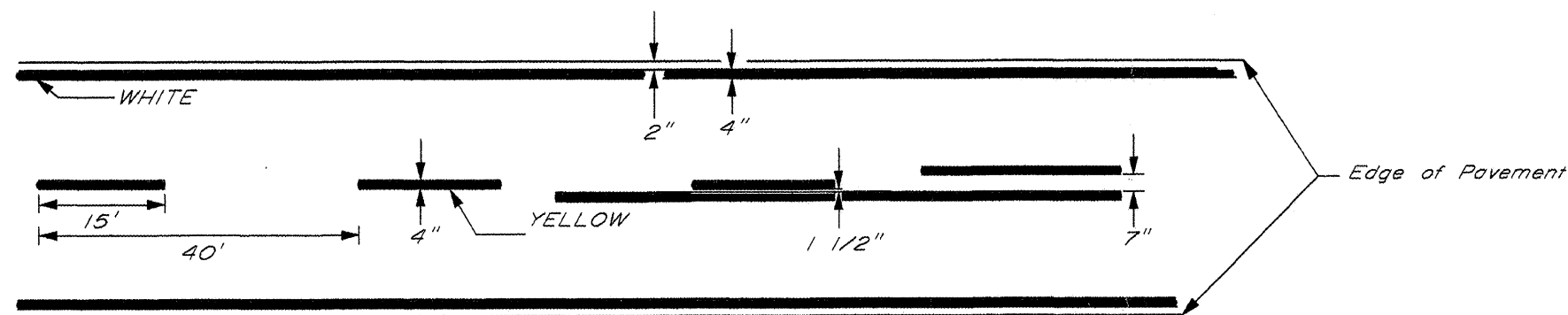
HMA SURFACE REMOVAL @ STRUCTURES
1) 050-0192
2) 050-0193

SEE HMA SURFACE REMOVAL-BUTT JOINT
AND HMA SURFACE REMOVAL 1 1/2"
SCHEDULE FOR LOCATION

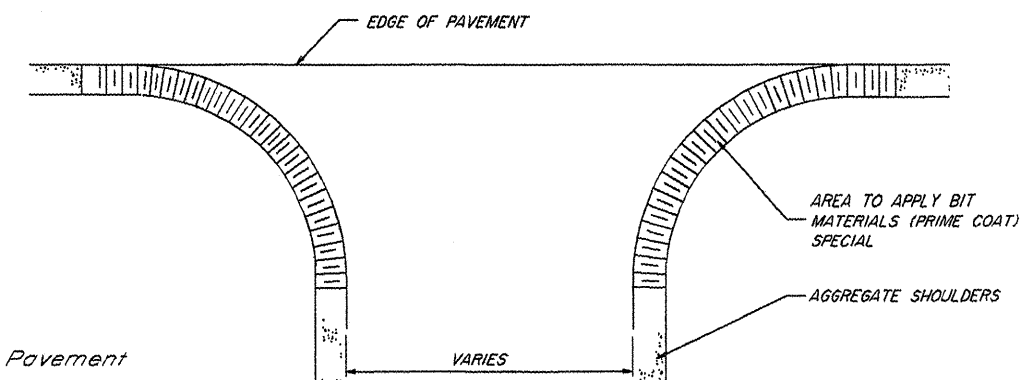


TAPER DETAIL

SEE HMA SURFACE REMOVAL -
BUTT JOINT SCHEDULE FOR LOCATIONS



PAINING DETAIL



NOTES:

AGGREGATE SHOULDERS IN THE RADIUS AREAS OF SIDEROADS SHALL BE APPLIED WITH MC-30 AT THE RATE SPECIFIED IN THE SPECIAL PROVISIONS.

SHOULDER DETAIL

AT SIDEROADS

DETAILS