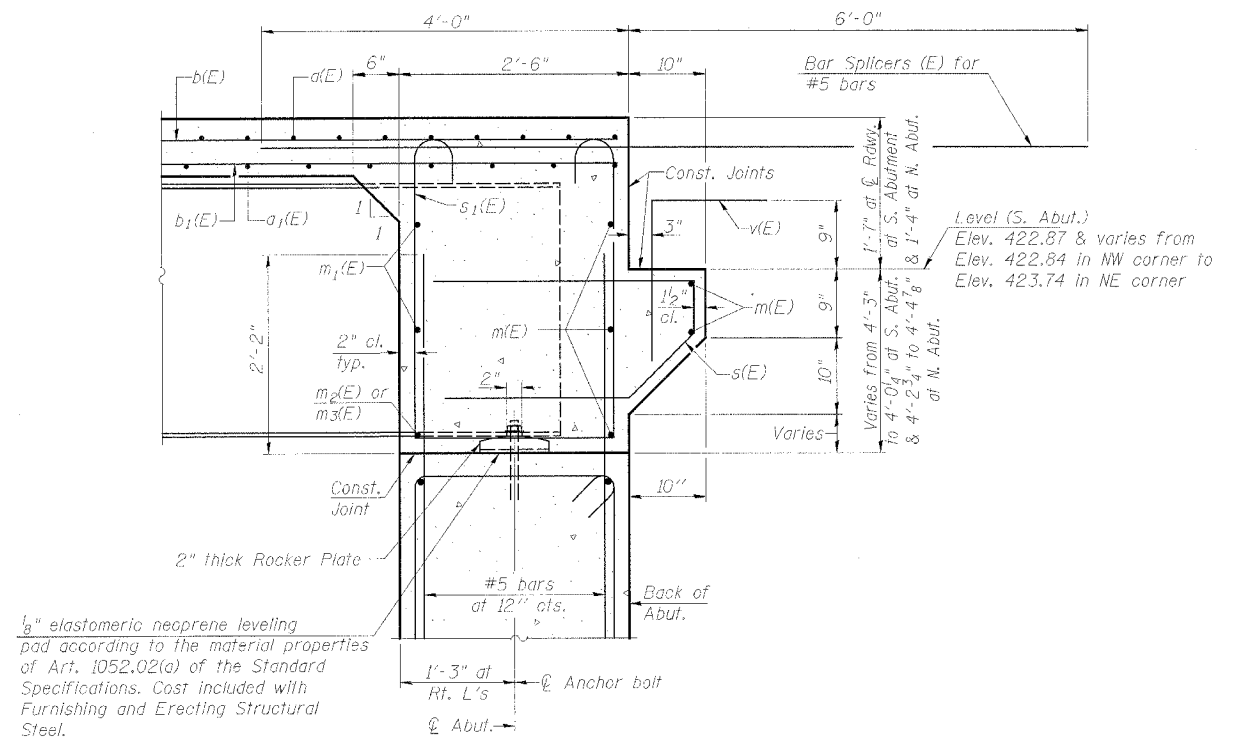
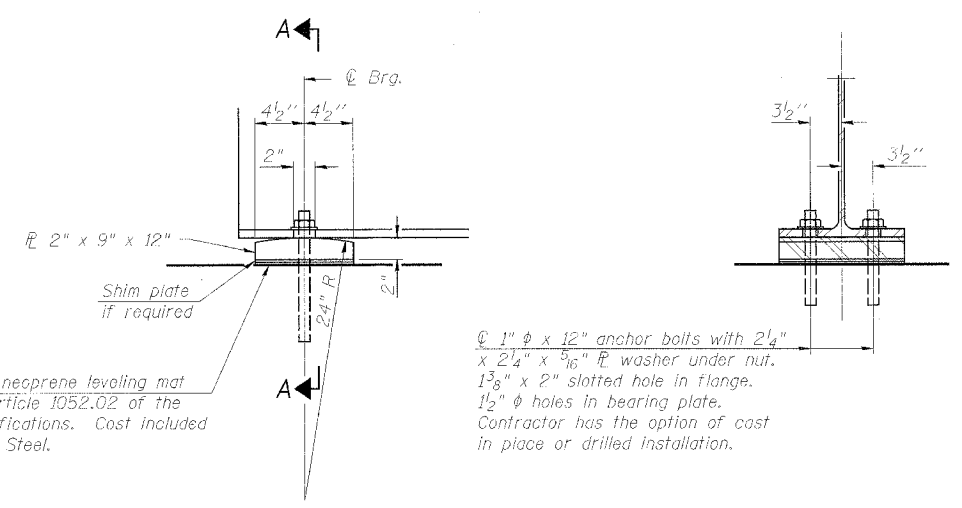


DIAPHRAGM ELEVATION AT ABUTMENT



SECTION B-B



ELEVATION AT ABUTMENT

SECTION A-A

FIXED BEARING

NOTES:

Reinforcement bars in diaphragm are billed with superstructure on Structural Sheet 5 of 12. Concrete in diaphragm is included with Concrete Superstructure on Structural Sheet 5 of 12. For details of bar s(E) & s1(E) see Structural Sheet 5 of 12.

Anchor bolts shall be ASTM F1554 all-thread (or an Engineer-approved alternate material) of the grade(s) and diameter(s) specified. ASTM A307 Grade C anchor bolts may be used in lieu of ASTM F1554 Grade 36 (Fy=36 ksi). The corresponding specified grade of AASHTO M314 anchor bolts may be used in lieu of ASTM F1554.

Anchor bolts at fixed bearings may be either cast in place or installed in holes drilled after the supported member is in place.

Drilled and set anchor bolts shall be installed according to Article 521.06 of the Standard Specifications.

BAR	LAP
#4	1'-8"
#5	2'-2"
#6	2'-7"
#7	3'-5"
#8	4'-6"

DIAPHRAGM DETAILS
FAS 249 (C.H. 17 - YANKEE LANE) OVER CROW CREEK
SECTION 03-00190-00-BR
STA. 55+01 (S.N. 006-3231)
BUREAU COUNTY
PROJECT NO. BRS-249(104)
 WHA #1119D05