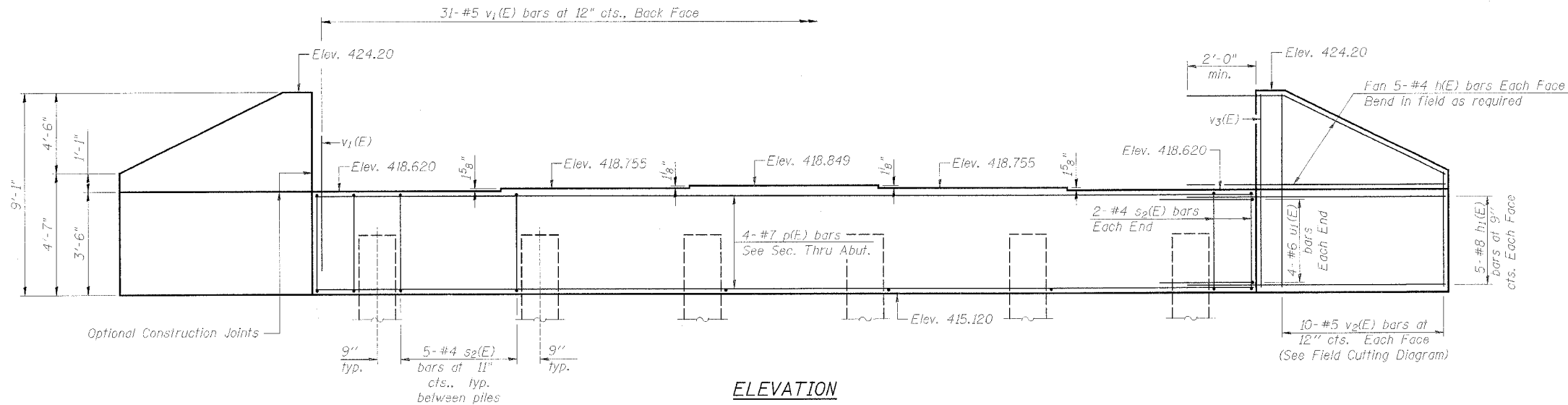
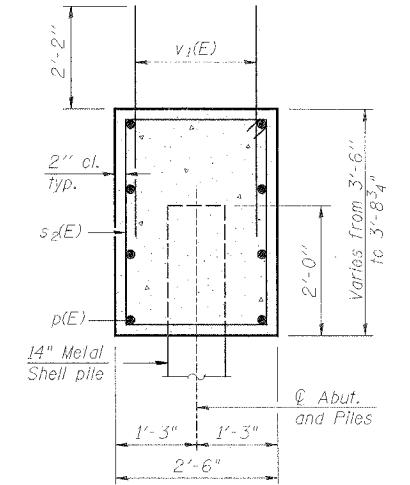


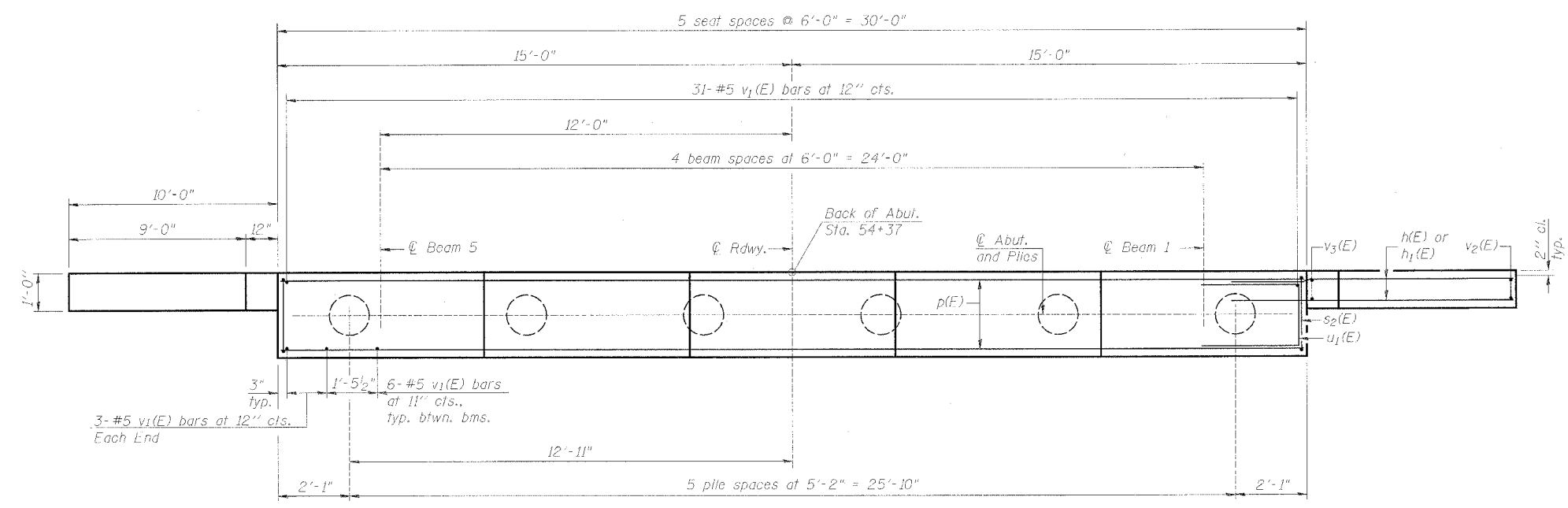
Contract No. 87365
Structural Sheet 7 of 12



ELEVATION



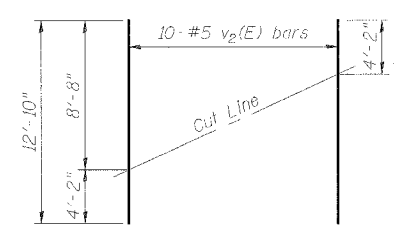
SEC. THRU ABUT.



PLAN

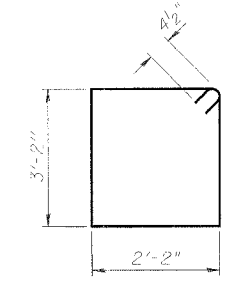
PILE DATA

Type: 14 in. Dia. x 0.25" Walls
Nominal Required Bearing: 416 kips
Allowable Resistance Available: 207 kips
Est. Length: 45'
No. Production Piles: 5
No. Test Piles: 1

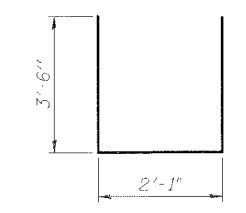


FIELD CUTTING DIAGRAM

Order v2(E) full length. Cut as shown and use remainder of bars in opposite face.



BAR s2(E)



BAR u1(E)

BILL OF MATERIAL - S. ABUT.

Bar	No.	Size	Length	Shape
h1(E)	20	#4	12'-0"	—
h1(E)	20	#8	14'-6"	—
p(E)	8	#7	29'-8"	—
s2(E)	29	#4	11'-5"	□
u1(E)	8	#6	9'-1"	—
v1(E)	61	#5	4'-4"	—
v2(E)	20	#5	12'-10"	—
v3(E)	4	#5	8'-8"	—
Porous Granular Embankment, Special		Cu. Yd.	76	
Concrete Structures Reinforcement Bars, Epoxy Coated		Cu. Yd.	14.7	
Furnishing Metal Shell Piles 14" x 0.250"		Foot	225	
Driving Piles		Foot	225	
Test Pile Metal Shells		Each	1	
Geocomposite Wall Drain		Sq. Yd.	32	
Pipe Underdrains for Structures 4"		Foot	71	

NOTES:

All Exposed Edges Shall Have Standard 3/4" Chamfers, Except as Noted.
Space Reinforcement In Cap To Miss Anchor Bolts. Pour Steps Monolithically With Cap.
Reinforcement Bars Designated (E) shall be epoxy coated.
For pile detail see Structural Sheet 11 of 12.

SOUTH ABUTMENT DETAILS
FAS 249 (C.H. 17 - YANKEE LANE) OVER CROW CREEK
SECTION 03-00190-00-BR
STA. 55+01 (S.N. 006-3231)
BUREAU COUNTY
PROJECT NO. BRS-249(104)
WHA #1119005