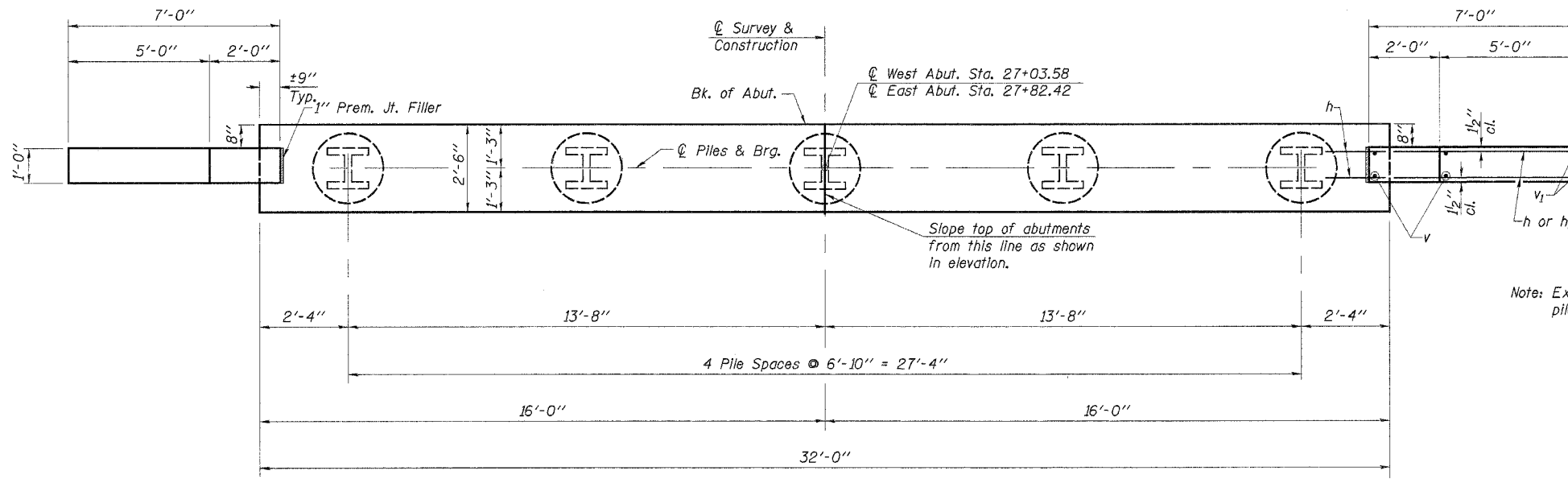
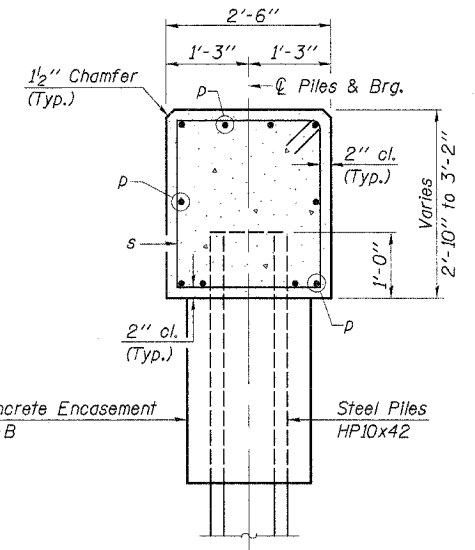


ROUTE NO.	SECTION	COUNTY	TOTAL SHEETS	SHEET NO.
C.H. 11	08-00022-00-BR	PUTNAM	23	10
ILLINOIS				

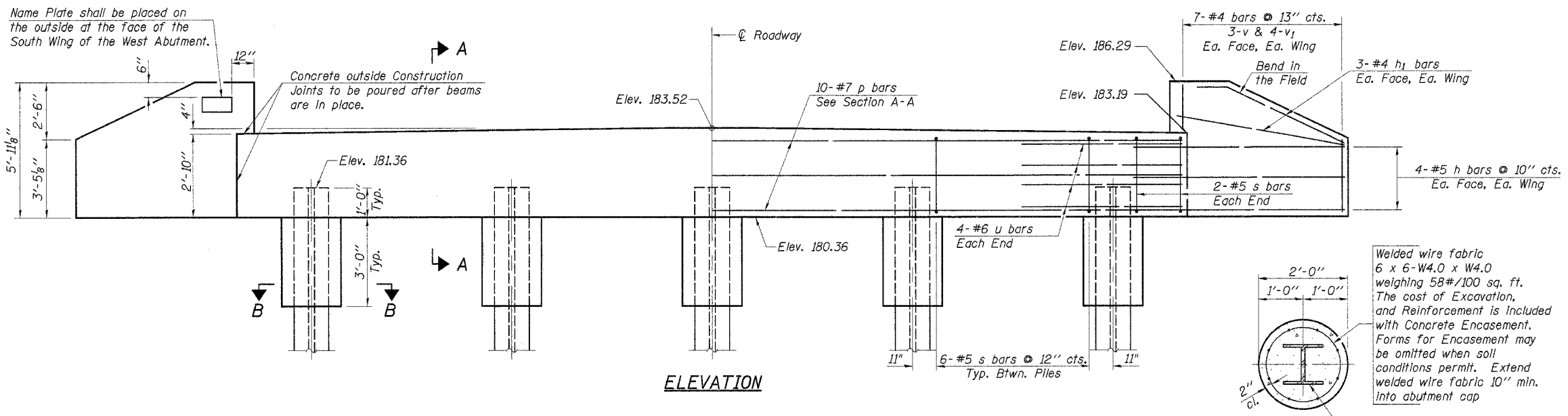
CONTRACT NO. 89434



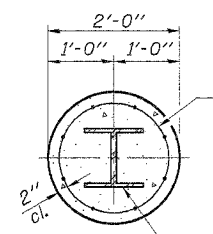
**PLAN**



**SECTION A-A**



**ELEVATION**



**SECTION B-B**  
Concrete Encasement

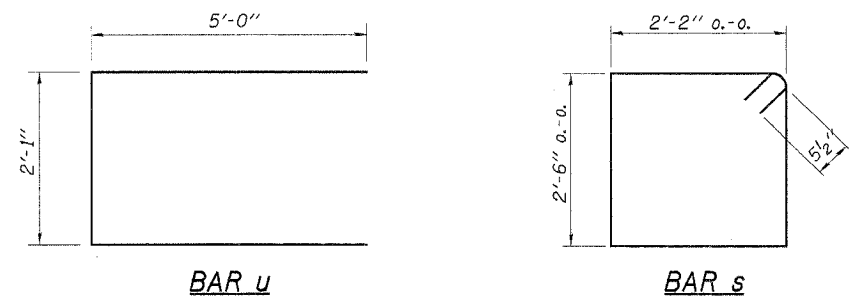
**2 ABUTMENTS  
BILL OF MATERIAL**

Bar	No.	Size	Length	Shape
h	32	#5	8'-3"	—
h <sub>1</sub>	24	#4	6'-9"	—
p	20	#7	31'-8"	—
s	56	#5	10'-3"	□
u	16	#6	12'-1"	—
v	24	#4	5'-7"	—
v <sub>1</sub>	32	#4	4'-4"	—
Concrete Structures		Cu. Yd.	22.7	
Reinforcement Bars		Pound	2,750	
Name Plates		Each	1	
Test Pile Steel HP10x42		Each	2	
Steel Piles HP10x42		Foot	320	
Concrete Encasement		Cu. Yd.	3.5	

**PILE DATA**

Type & Size	Steel HP10x42
No. Req'd. (2 Abut.)	*10
Nominal Required Bearing	330 Kips/Pile
Allowable Resistance Available	110 Kips/Pile
Estimated Length	40 Feet/Pile

\*Includes 1 Test Pile to be driven in a permanent location at each abutment.  
The test piles shall be driven to 110 percent of the Nominal Required Bearing indicated above. The Steel H-Piles shall be according to AASHTO M270 Grade 50. See Sheet 11 for Steel Pile Splicing Details.



DESIGNED	S.F.M.
CHECKED	F.J.S.
DRAWN	S.A.P.
CHECKED	F.J.S.

**ABUTMENTS**  
COUNTY HIGHWAY 11  
SECTION 08-00022-00-BR  
PUTNAM COUNTY  
STATION 27+43