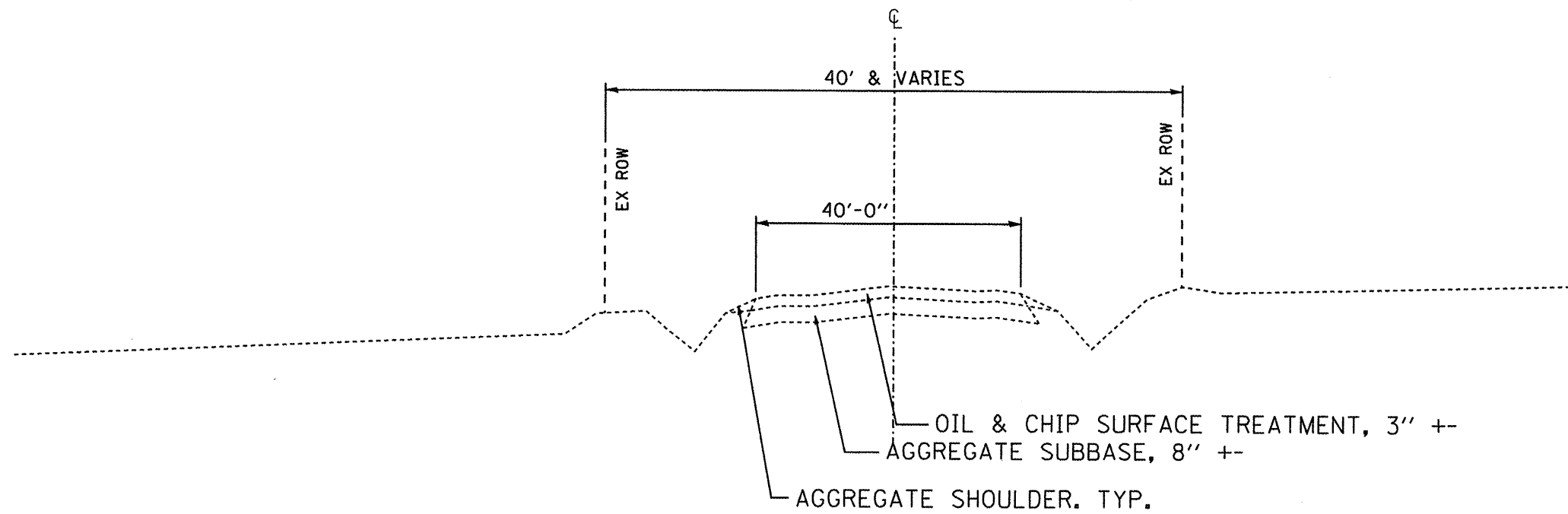
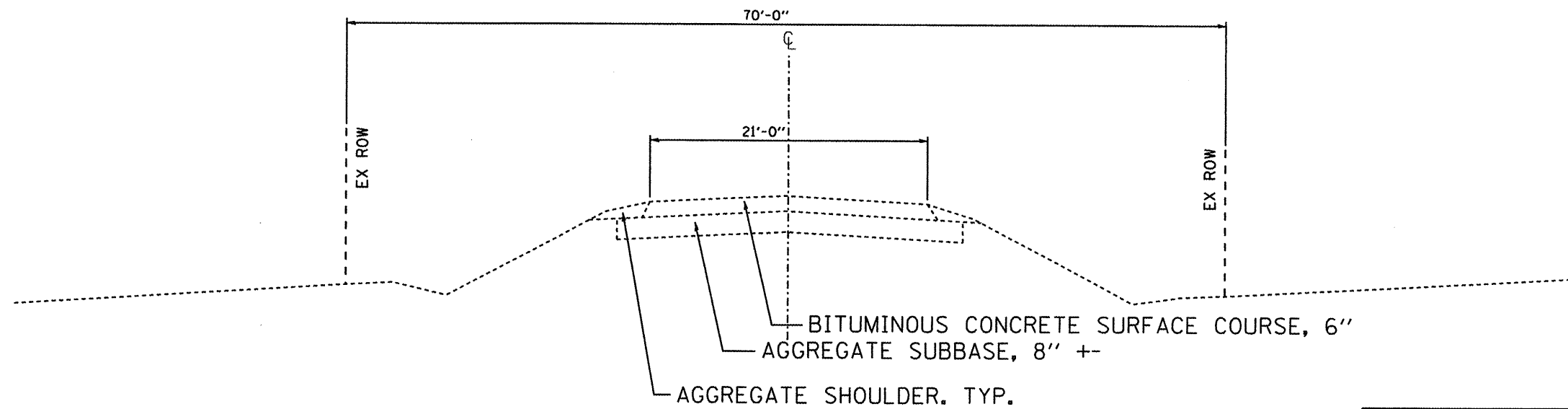


ROUTE NO.	SECTION	COUNTY	TOTAL SHEETS	SHEET NO.
FAS 666	99-00080-00-RP	DOUGLAS	279	10
FED. ROAD DIST. NO. ...	ILLINOIS	PROJECT	C-95-323-07	



FAS 666 (CH 11)  
EXISTING TYPICAL SECTION

STA. 21+00.00 TO STA. 229+87.76



FAS 666 (CH 11)  
EXISTING TYPICAL SECTION

STA. 229+87.77 TO STA. 232+00.65

EXISTING TYPICAL SECTIONS			
Revisions		Surveyed: DLE	FAS ROUTE 666 (CH11 - 200N) DOUGLAS COUNTY  DOUGLAS COUNTY HIGHWAY DEPARTMENT TUSCOLA, ILLINOIS
No.	DATE	Designd: JEC	
1		Drawn: JEC	
2		Checked: ---	
3		Approved: ---	
4			
5			
Job No.: NA		Date: 5/2007	