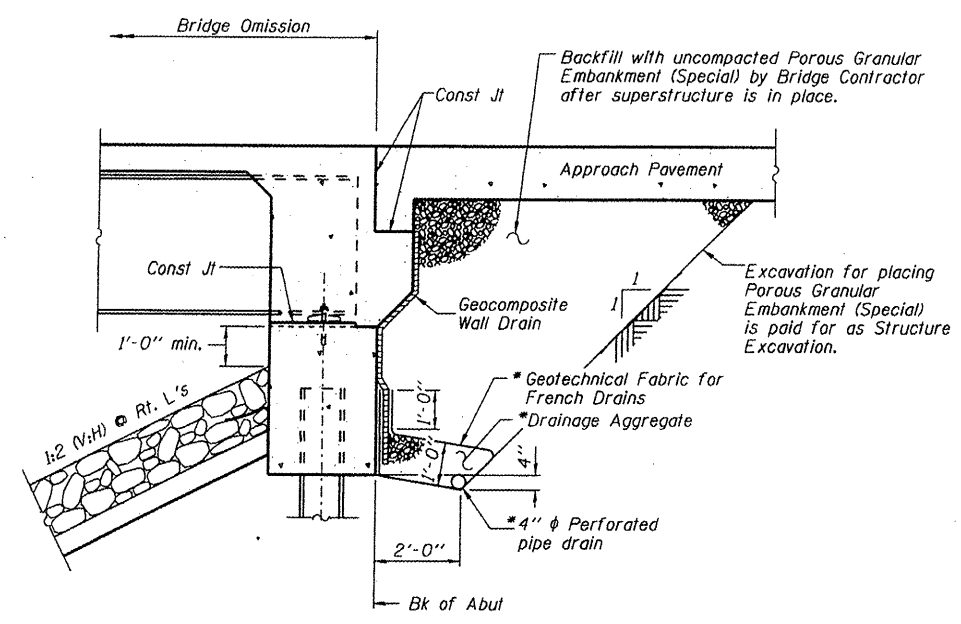


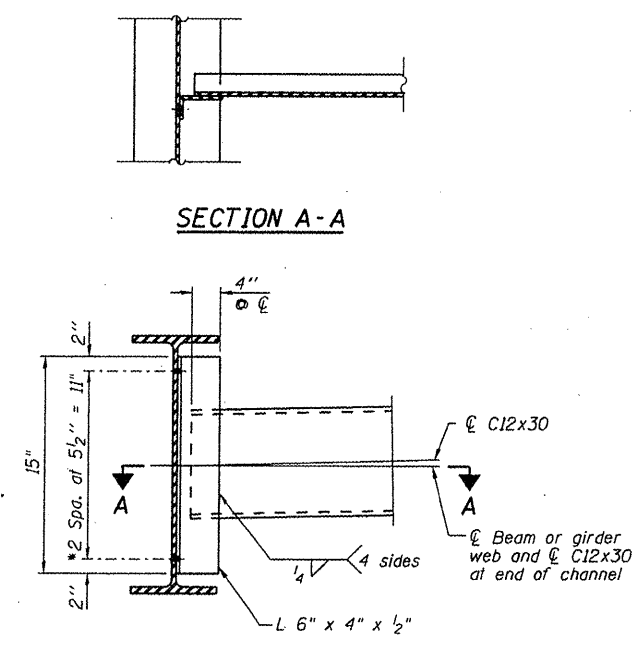
ROUTE NO.	SECTION	COUNTY	TOTAL SHEETS	SHEET NO.
		DOUGLAS	279	65
FEDERAL DIST. NO.		ILLINOIS	PROJECT	
*99-00080-00-RP				



SECTION THRU INTEGRAL ABUTMENT
(Horiz. dim. @ Rt. L's)

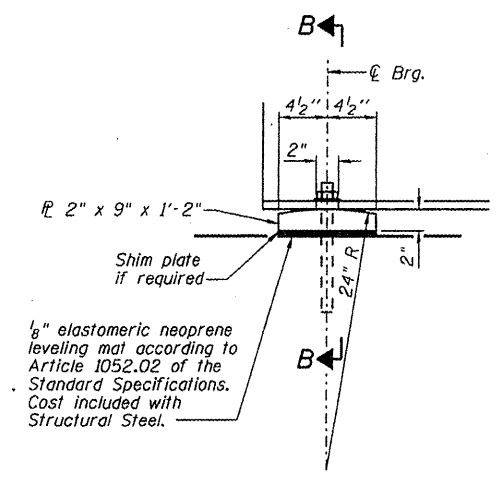
* Included in the cost of Pipe Underdrains for Structures.

Note:
All drainage system components shall extend to 2'-0" from the end of each wingwall except an outlet pipe shall extend until intersecting with the side slopes. The pipes shall drain into concrete headwalls. (See Article 601.05 of the Standard Specifications and Highway Standard 601101).

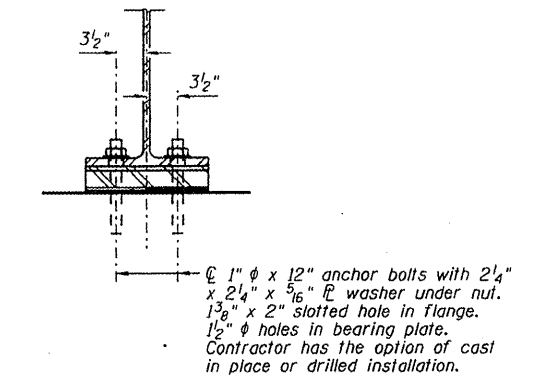


INTERIOR DIAPHRAGM

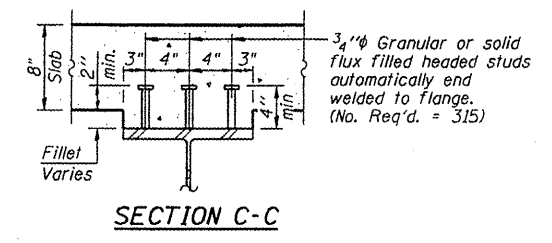
Note:
Two hardened washers required for each set of oversized holes.
* 3/4" φ HS bolts, 5/16" φ holes



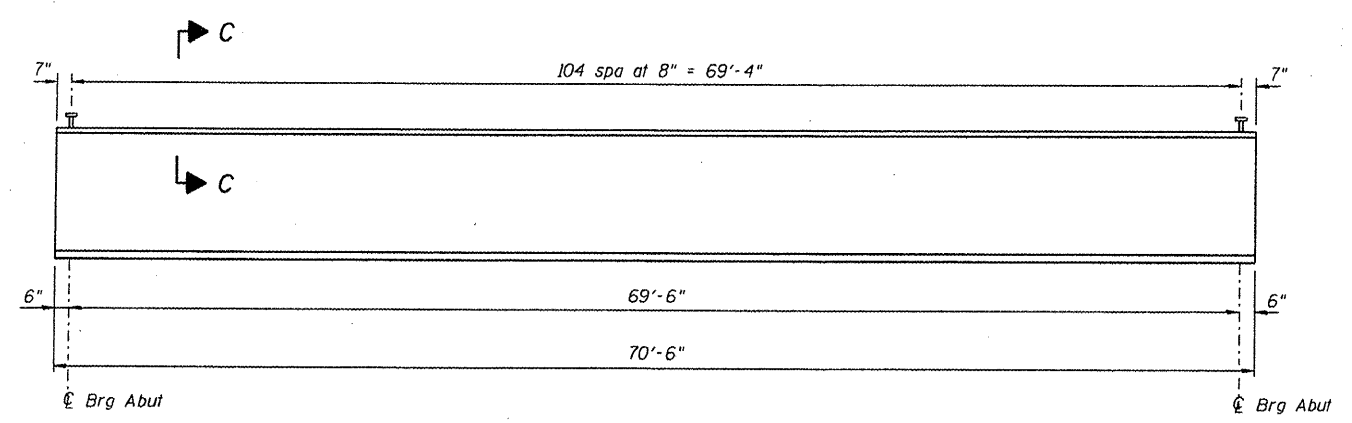
**ELEVATION AT ABUTMENT
FIXED BEARING**



SECTION B-B



SECTION C-C



BEAM ELEVATION

CH 11 (FA 666) OVER BIG SLOUGH

MISCELLANEOUS DETAILS

REVISIONS	SECTION 99-00080-00-RP	CH 11 (FAS 666)	DRAWN BY DATE
1	DOUGLAS	SN 021-4548	R KING 01/08
2		COUNTY	CHECKED BY DATE
3			JMB 01/08
4			BOOK NUMBER
5			PROJECT NO.
6			5149
7			SHEET NO.
8			
9			
10			

HOMER L. CHASTAIN & ASSOCIATES, LLP
CONSULTING ENGINEERS

DECATUR CHICAGO
(317) 422-8444 (773) 714-0060
ROCKFORD
(815) 499-0860