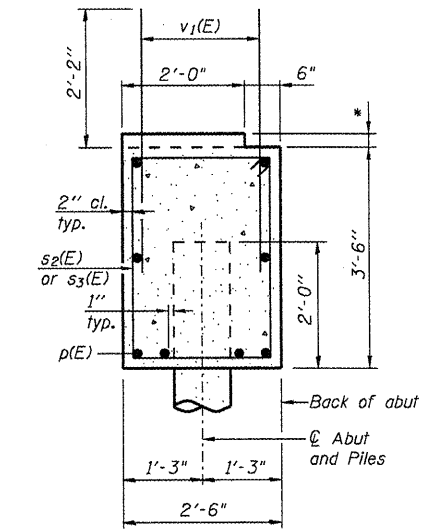
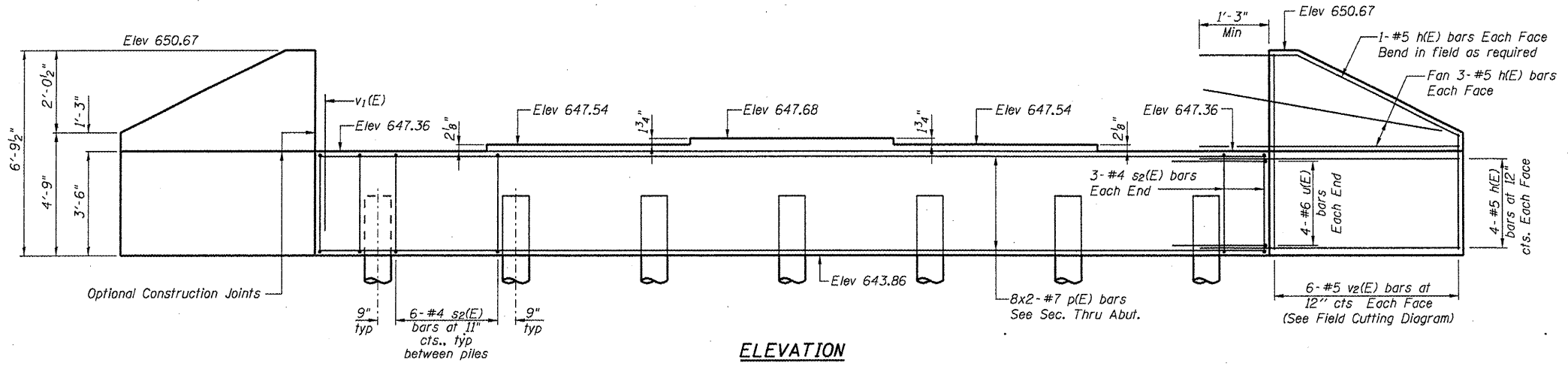
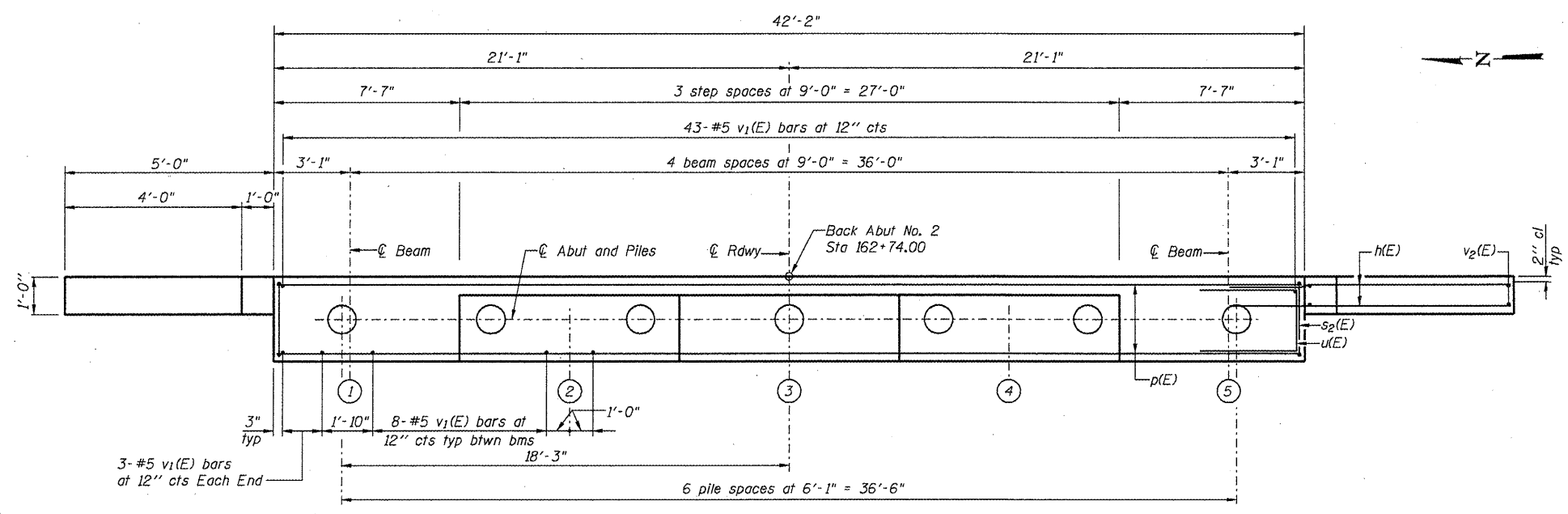


ROUTE NO.	SECTION	COUNTY	TOTAL SHEETS	SHEET NO.
		DOUGLAS	279	69
FEDERAL DIST.	ILLINOIS	PROJECT		
*99-00080-00-RP				

Notes: Four steps monolithically with cap.

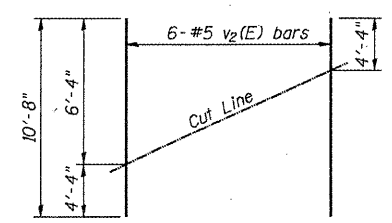


SEC. THRU ABUT.
*Varies per beam seat

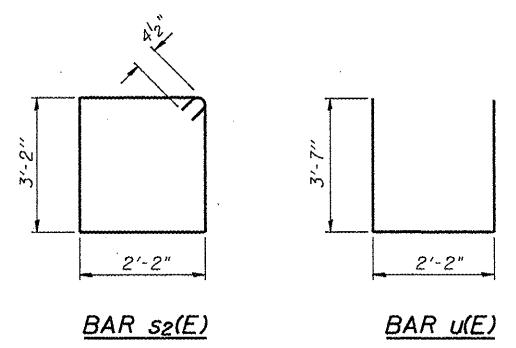


PLAN

PILE DATA
Type: Metal shell - 14 in dia x 0.25 in walls
Nominal Required Bearing: 372 k
Allowable Resistance Available: 124 k
Est. Length: 41'
No. Production Piles: 7
No. Test Piles: 0



FIELD CUTTING DIAGRAM
Order v2(E) full length. Cut as shown and use remainder of bars in opposite face.



BILL OF MATERIAL

Bar	No.	Size	Length	Shape
h(E)	32	#5	6'-8"	—
p(E)	16	#7	22'-8"	—
s2(E)	42	#4	11'-5"	□
u(E)	8	#6	9'-4"	—
v1(E)	81	#5	4'-4"	—
v2(E)	12	#5	10'-8"	—
Structure Excavation		Cu. Yd.		61
Concrete Structures		Cu. Yd.		15.3
Reinforcement Bars, Epoxy Coated		Pound		1900
Furnishing Metal		Foot		287
Pile Shells 14"		Foot		287

For details of Bar Splicers, see sheet 12 of 13.
For details of piles see sheet 11 of 13.

CH 11 (FA 666) OVER BIG SLOUGH
ABUTMENT NO. 2 DETAILS

REVISIONS	SECTION 99-00080-00-RP	CH 11 (FAS 666)	DRAWN BY DATE
1	DOUGLAS	SN 021-4548	R KING 01/08
2			CHECKED BY DATE
3			JMB 01/08
4			BOOK NUMBER
5			PROJECT No.
6			5149
7			SHEET No.
8			
9			
10			

HOMER L. CHASTAIN & ASSOCIATES, LLP
CONSULTING ENGINEERS
184-00197

DECATUR CHICAGO
617-423-8544 773-714-0050

ROCKFORD
815-499-0050