

ROUTE NO.	SECTION	COUNTY	TOTAL SHEETS	SHEET NO.
		DOUGLAS	279	72
FED. ROAD DIST. NO.	ALNOS	PROJECT		

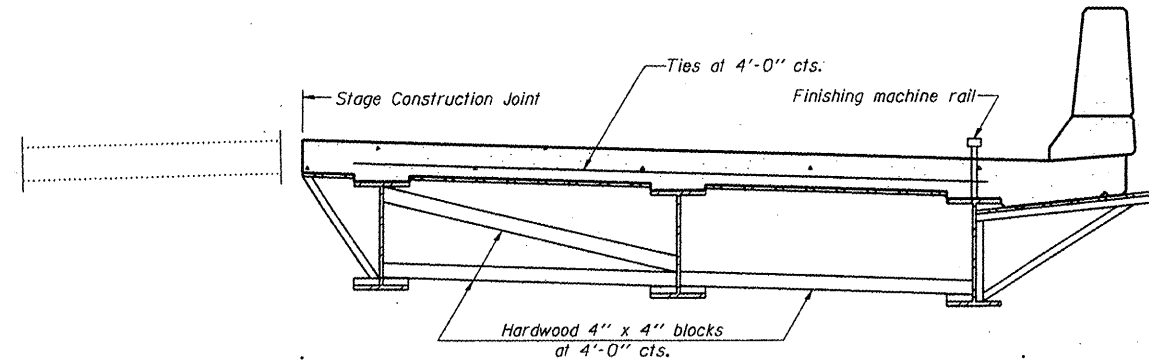
*99-00080-00-RP

When cantilever forming brackets are used, the work shall be done according to Article 503.06(b) of the Standard Specifications, except as modified below and in the details shown on this sheet.

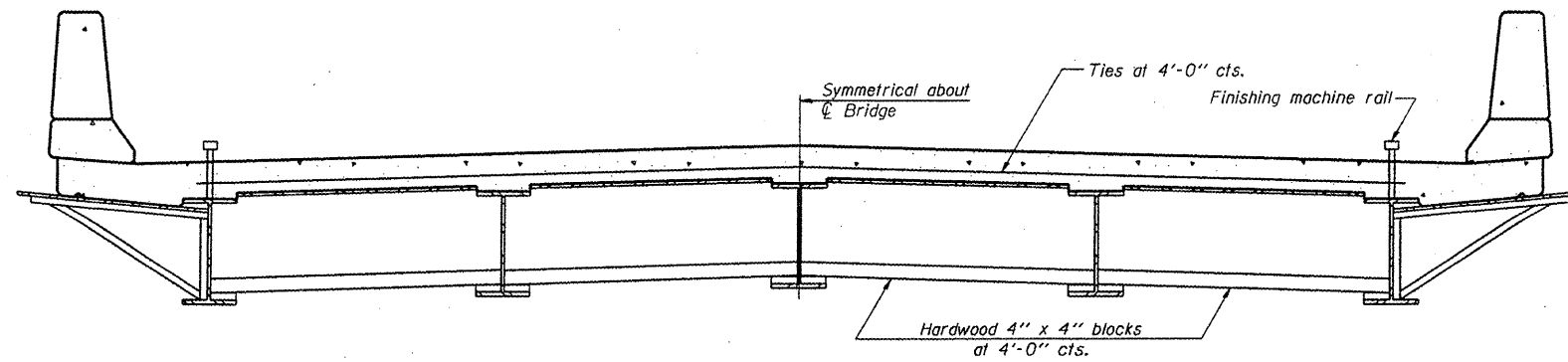
The finishing machine rails shall be placed on the top flange of the exterior beams.

The beams or girders, supporting cantilever forming brackets, shall be tied together at 4 foot intervals.

For Standard construction, or Stage Construction the Hardwood bracing materials shall be placed as shown between webs of beams in each bay.



**FORM BRACES FOR
STAGE CONSTRUCTION**



**FORM BRACES FOR
STANDARD CONSTRUCTION**

CH 11 (FA 666) OVER BIG SLOUGH

CANTILEVER FORMING BRACKETS

SECTION 99-00080-00-RP		CH 11 (FAS 666)		DRAWN BY DATE R KING 01/08
DOUGLAS		SN 021-4548		CHECKED BY DATE JMB 01/08
		COUNTY		BOOK NUMBER
		DECATUR CHICAGO (317) 423-8544 (773) 714-0060		PROJECT No. 5149
		ROCKFORD (815) 499-0060		SHEET No.
		184-98197		

NO.	DATE	INITIALS
1		
2		
3		
4		
5		
6		
7		
8		
9		
10		