

Bench Mark: Chiseled "□" on top center of northeast wingwall of I-57 Bridge S.M. 010-0272 Elev. 724.11

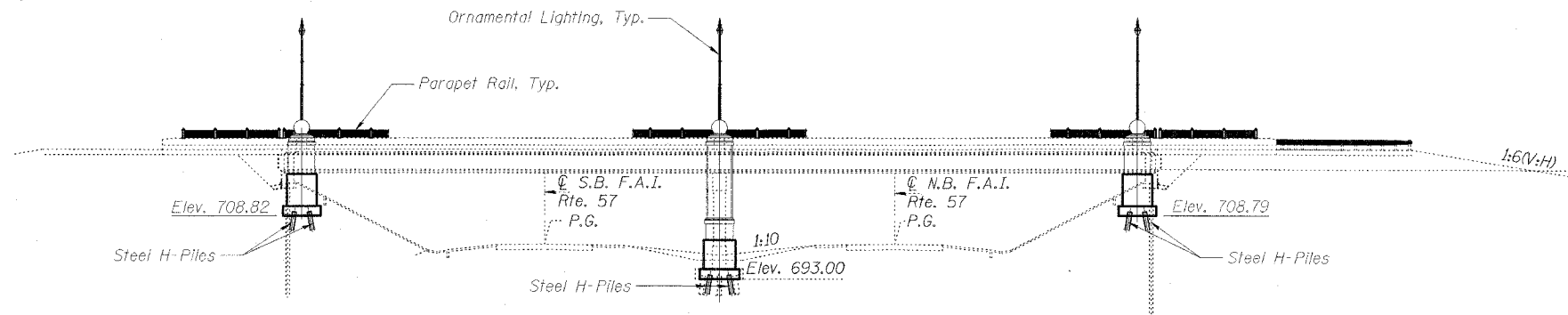
ROUTE NO.	SECTION	COUNTY	TOTAL SHEETS	SHEET NO.	SHEET NO. 4 21 SHEETS
F.A.I. 57	03-0374-03 LS	Champaign	21	4	
FED. ROAD DIST. NO.	ILLINOIS	FED. AID PROJECT			

Contract # 91382

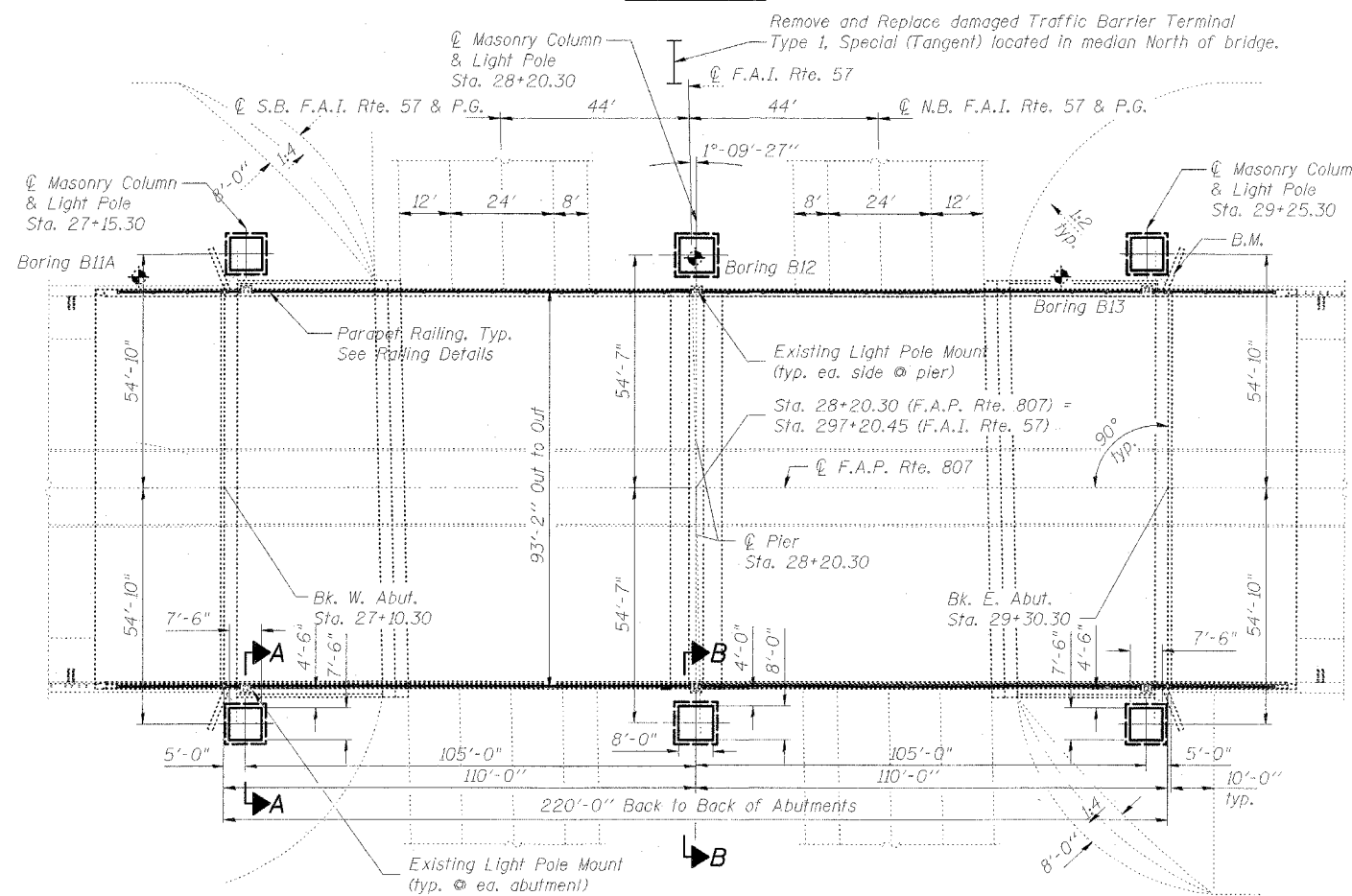
GENERAL NOTES

1. Reinforcement bars shall conform to the requirements of ASTM A706 Gr. 60 (IL Modified). See Special Provisions.
2. Reinforcing bars designated (E) shall be epoxy coated.
3. No field welding is permitted except as specified in the contract documents.
4. Concrete Sealer shall be applied to the cast-in-place concrete with rubbed finish. Cost included with Concrete Structures.
5. The Contractor shall drive test piles to 110% of the nominal required bearing specified in production locations at substructures specified or approved by the Engineer before ordering the remainder of piles.
6. All Construction joints shall be bonded.
7. Calculated weight of Structural Steel:
 - =4,080 lbs M270 Gr. 36
 - =14,890 lbs A500
 - =480 lbs A307

DESIGN SPECIFICATIONS
2002 AASHTO STANDARD
SPECIFICATIONS, 17TH EDITION. (LFD)



ELEVATION



PLAN

DESIGNED	SLD
CHECKED	SMM
DRAWN	SLD
CHECKED	SMM

Notes:
For Sections A-A and B-B, see sheet 5 of 21.



Sean Marziano
PROFESSIONAL ENGINEER
CLARK DIETZ, INC.
DATE: 1/15/08
LICENSE EXPIRES 11-30-09

**GENERAL PLAN AND ELEVATION
CURTIS ROAD BRIDGE ENHANCEMENTS
CHAMPAIGN COUNTY
STATION 297+20.45**

Clark Dietz
ENGINEERS

DESIGN FIRM REGISTRATION
No. 184-000450
1817 SOUTH NEIL STREET
SUITE 100
CHAMPAIGN, IL 61820
PHONE : 217.373.8900
FAX : 217.373.8923