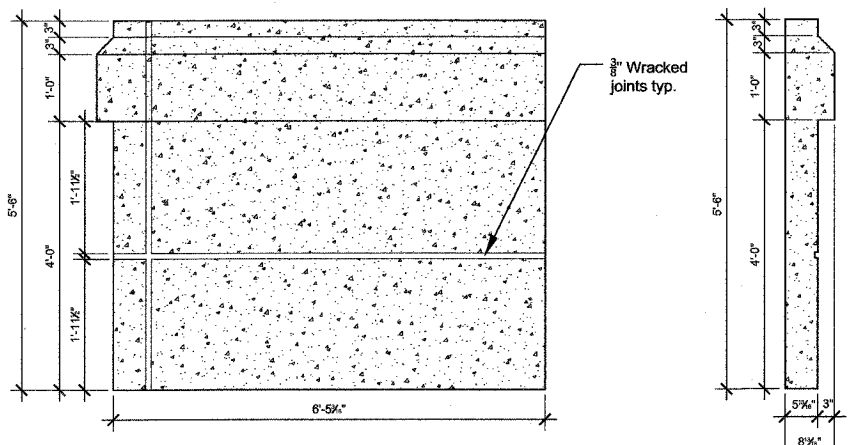


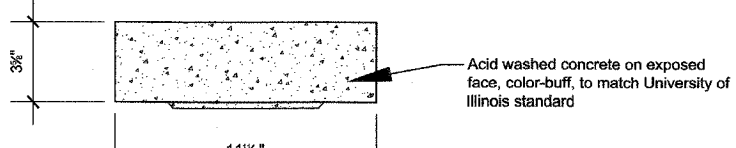
Top



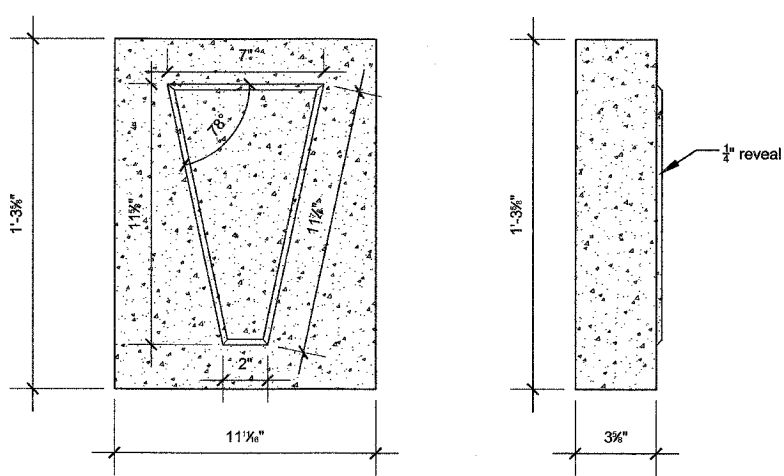
Front

Side

J Precast Base 4 d-precast panel D
3/4" = 1'-0"



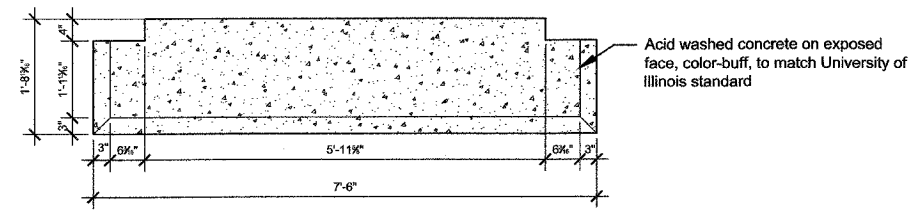
Top



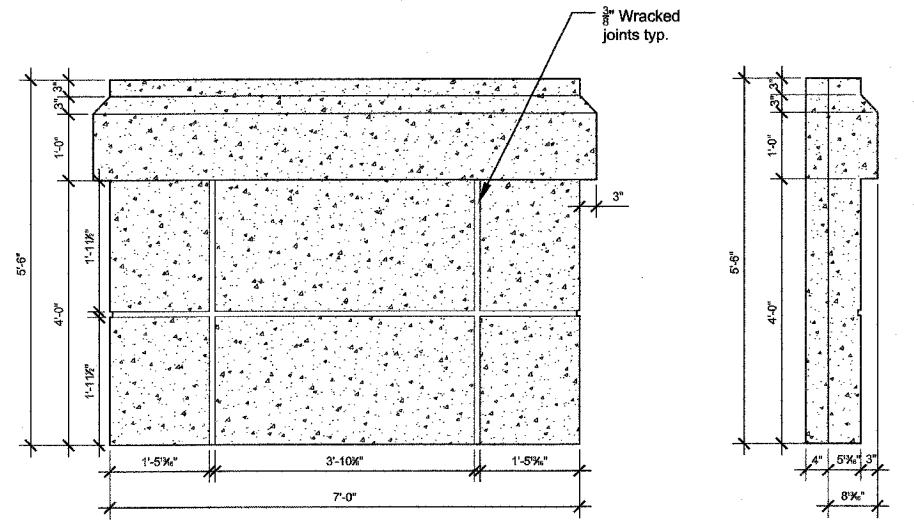
Front

Side

L Precast Medallion d-precast medallion
3" = 1'-0"



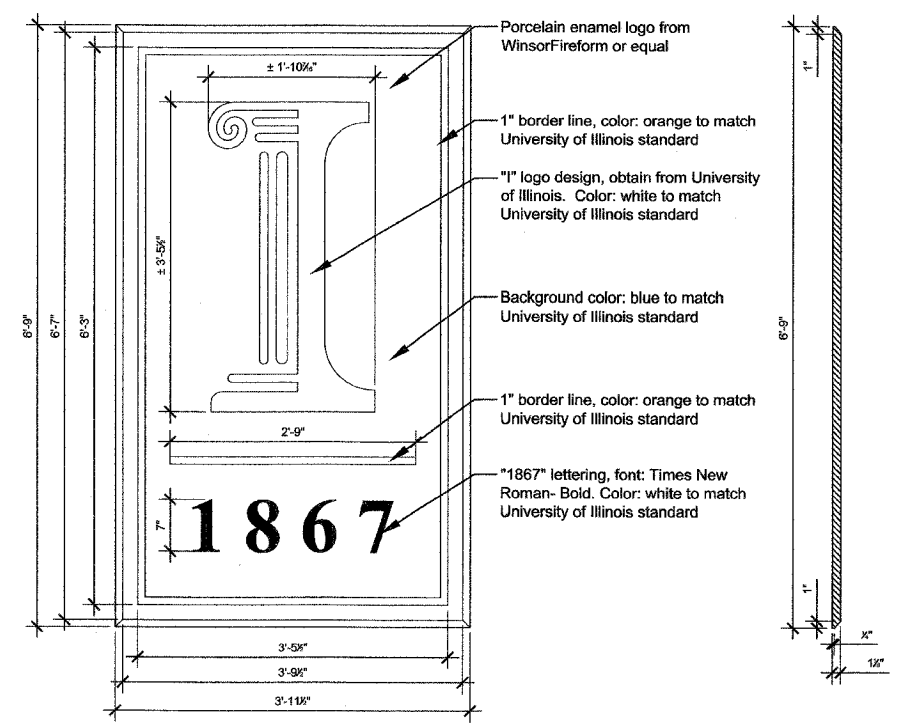
Top



Front

Side

K Precast Base 5 d-precast panel E
3/4" = 1'-0"



Front

Side

M Logo Panel d-logo panel
1" = 1'-0"

REVISIONS	
NAME	DATE

ILLINOIS DEPARTMENT OF TRANSPORTATION

COLUMN DETAILS

SCALE: _____

DATE: 06/15/07

DRAWN BY: JMN

CHECKED BY: MEU