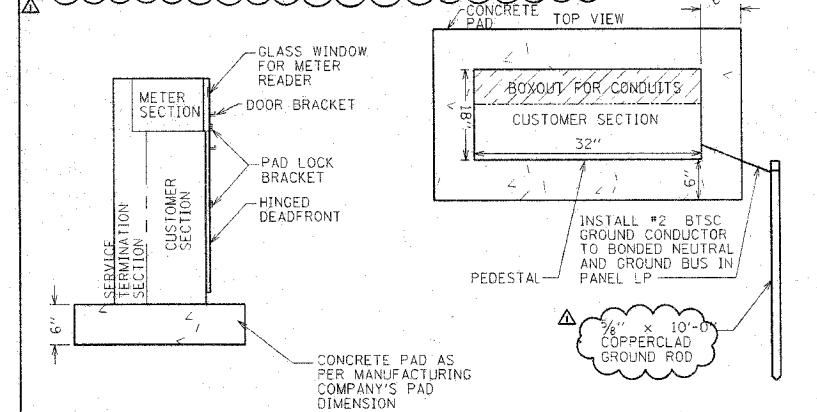
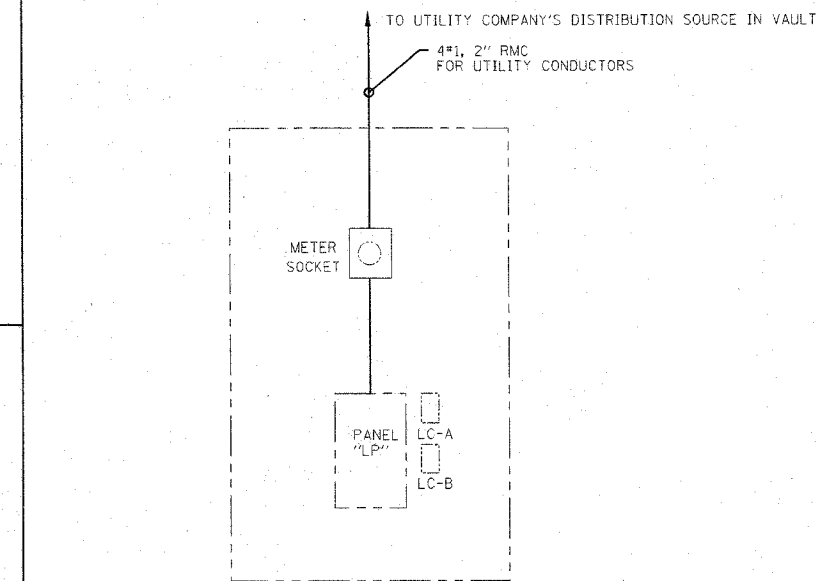


F.A. RTE.	SECTION	COUNTY	TOTAL SHEETS	SHEET NO.
06-00334-00-SW		MCLEAN	13	E1.2
STA.	TO STA.			
FED. ROAD DIST. NO.	ILLINOIS	FED. AID PROJECT		

- NOTES:
- NEMA TYPE 3R ALUMINUM ENCLOSURE WITH BOTH SIDES ACCESSIBLE WITH DEAD FRONT.
 - PEDESTAL SHALL BE ANCHORED WITH (4) ANCHOR BOLTS IN CONCRETE PAD.
 - 200 AMP, 3 PHASE METER RATING.
 - ACCESSIBLE DOORS SHALL BE LOCKABLE.
 - METERING PEDESTAL SHALL BE GROUNDED AND BONDED AS PER NEC.
 - MANUFACTURER MILBANK WEST MODEL #CP352529KSP OR APPROVED EQUAL VERIFY COMPLETE. MEGLIO & ASSOCIATES - DON HARROD (217) 496-3524



1 3-Phase Meter, Load Center, Lighting Control Pedestal
Scale: Not To Scale

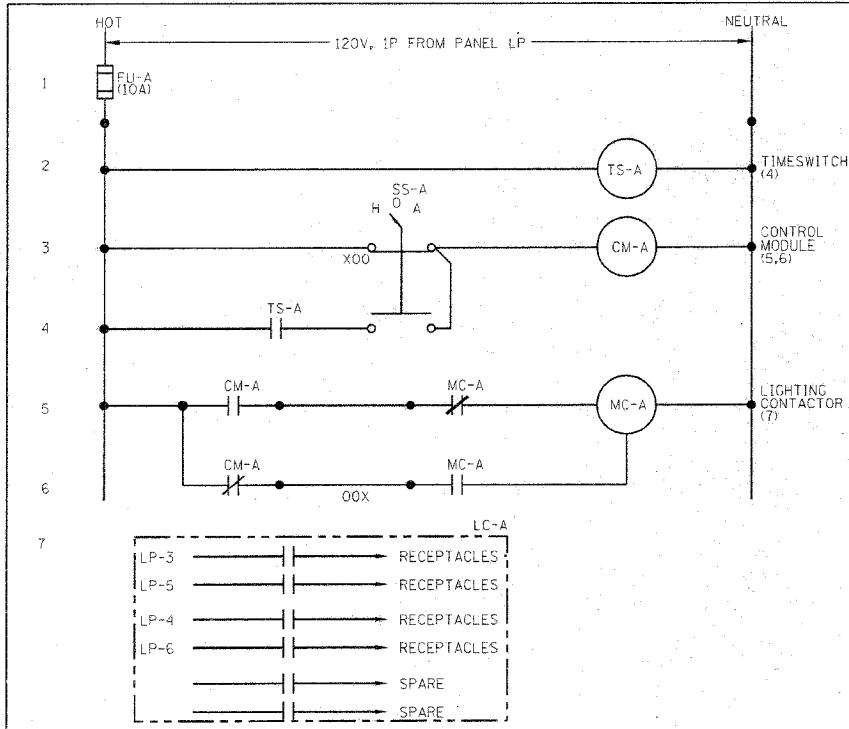


- NOTES:
- PROVIDE ELECTRICALLY HELD LIGHTING CONTACTOR
 - LIGHTING CONTROL SHALL BE ACTIVATED BY TIMER FOR RECEPTACLES.
 - PROVIDE HAND OFF AUTO CONTROL SWITCH.
 - CONTRACTOR SHALL PROVIDE LIGHTING CONTROLS AS REQUIRED TO MAKE THE DECORATIVE LIGHTS OPERATIONAL.
 - ALL LIGHTS WILL BE CONTROLLED VIA PHOTOCELL PER DETAIL 3 ON THIS SHEET.

2 One-Line Diagram
Scale: Not To Scale

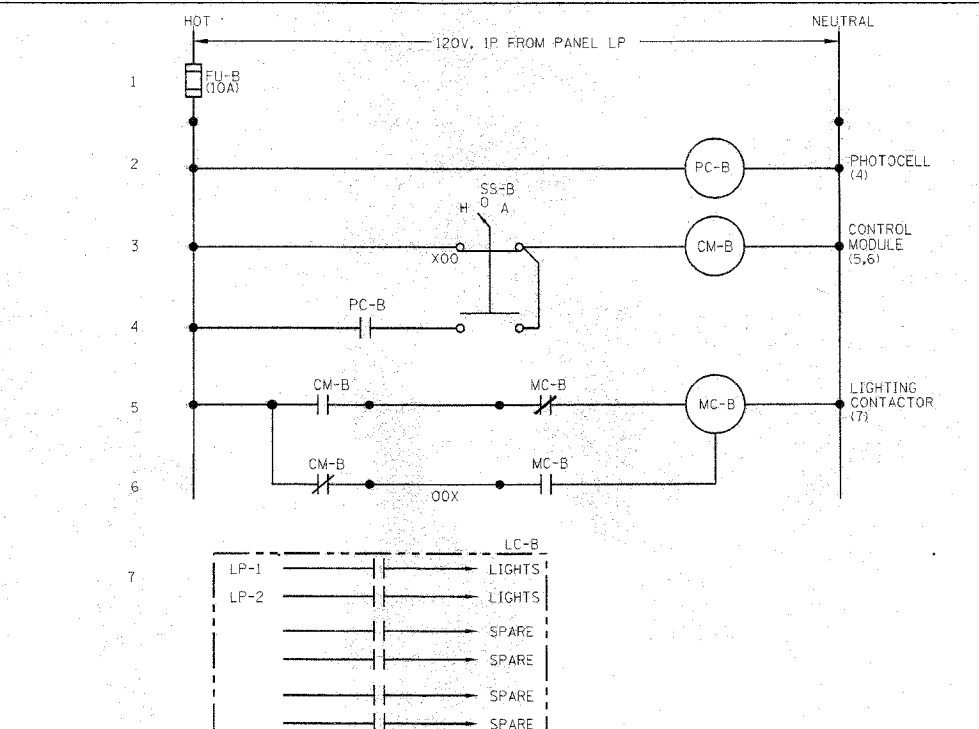
REVISIONS	NAME	DATE
ADDENDUM #1		5-21-08
REV. ADDENDUM #1		5-29-08

ILLINOIS DEPARTMENT OF TRANSPORTATION
ELECTRICAL DETAILS
CITY OF BLOOMINGTON
DOWNTOWN MAIN STREET BEAUTIFICATION
FRONT STREET TO WASHINGTON STREET
VERT. SCALE: 1" = 1'-0"
HORIZ. SCALE: 1" = 1'-0"
DATE: 01-31-08
DRAWN BY:
CHECKED BY:



- LIGHTING CONTROL NOTES:
- LIGHTING CONTACTOR SHALL BE SIEMENS LENO2B006 ELECTRICALLY HELD, 6 POLE, 20 AMP REMOTE CONTROL LIGHTING CONTACTOR WITH ACCESSORY 47 TWO WIRE CONTROL MODULE.
 - TIME SWITCH SHALL BE 120 VAC, PROGRAMMABLE, ELECTRONIC, 7-DAY, DUAL CHANNEL, INTERNALLY MOUNTED; INTERMATIC #ET70215C/120V.
 - SELECTOR SWITCH SHALL BE 3-POSITION, MAINTAINED SIEMENS 3SB03-3MKBX25 WITH METAL "MANUAL-OFF-AUTO" LEGEND PLATE #P30NPJ84.
 - CONTRACTOR MAY SUBMIT EQUIPMENT AND COMPONENTS FROM OTHER MANUFACTURERS FOR ENGINEER'S APPROVAL.
 - PROVIDE AS PART OF MILBANK WEST ENCLOSURE

5 Exterior Receptacle Control Detail (LC-A)
Scale: Not To Scale



- LIGHTING CONTROL NOTES:
- LIGHTING CONTACTOR SHALL BE SIEMENS LENO2B006 ELECTRICALLY HELD, 6 POLE, 20 AMP REMOTE CONTROL LIGHTING CONTACTOR WITH ACCESSORY 47 TWO WIRE CONTROL MODULE.
 - PHOTOCELL SHALL BE 120 VAC WITH 1/2" INCH NIPPLE FOR CONDUIT MOUNTING PARAGON CW201-00.
 - SELECTOR SWITCH SHALL BE 3-POSITION, MAINTAINED SIEMENS 3SB03-3MKBX25 WITH METAL "MANUAL-OFF-AUTO" LEGEND PLATE #P30NPJ84.
 - CONTRACTOR MAY SUBMIT EQUIPMENT AND COMPONENTS FROM OTHER MANUFACTURERS FOR ENGINEER'S APPROVAL.
 - PROVIDE AS PART OF MILBANK WEST ENCLOSURE.

3 Exterior Lighting Control Detail (LC-B)
Scale: Not To Scale

PART OF MILBANK CP3 PANELBOARD LP																
PANEL WIDTH:	20"	TYPE:	NOOD	VOLTS:	120/208	PHASE:	3	MAIN BREAKER:	100A							
AIC:	10,000	MOUNTING:	PEDESTAL	MAIN RATING:	100A	WIRE:	4	GROUND BAR:	100%							
FEED:			BOTTOM POLES:			NEUTRAL BAR:			100%							
BRANCH BREAKERS																
LOAD DESCRIPTION	AMP RATING	POLE	BREAKER ACCESS.	LOAD TYPE	CIRCUIT NUMBER	LEFT PHASE LOAD			RIGHT PHASE LOAD			LOAD DESCRIPTION				
LIGHTING	20	1	L		1	760			655			2	L	20	LIGHTING	
RECEPTACLES	20	1	R		3		400			400		4	R	1	20	RECEPTACLES
RECEPTACLES	20	1	R		5			400			200	6	R	1	20	RECEPTACLES
SPARE	20	1			7							8		1	20	SPARE
SPARE	20	1			9							10		1	20	SPARE
SPARE	20	1			11							12		1	20	SPARE
SPARE	20	1			13							14		1	20	SPARE
SPARE	20	1			15							16		1	20	SPARE
SPARE	20	1			17							18		1	20	SPARE
SPARE	20	1			19							20		1	20	SPARE
SPARE	20	1			21							22		1	20	SPARE
SPARE	20	1			23							24		1	20	SPARE
SPARE	20	1			25							26		1	20	SPARE
SPARE	20	1			27							28		1	20	SPARE
SPARE	20	1			29							30		1	20	SPARE
SUB-TOTAL						760	400	400	655	400	200					
TOTAL						1415	800	600								

NOTES:
BOND NEUTRAL AND GROUND BUS

TOTAL CONNECTED LOAD: 1.4 kVA x 100 % = 2.8 kVA
 LIGHTING LOAD: 1.4 kVA x 100 % = 1.4 kVA
 RECEPTACLE LOAD: 0.0 kVA x 50 % = 0.0 kVA
 EQUIPMENT LOAD: 0.0 kVA x 100 % = 0.0 kVA
 TOTAL DEMAND LOAD: 2.8 kVA
 TOTAL DEMAND CURRENT: 8 A

4 Panelboard Schedules
Scale: Not To Scale

ELECTRICAL EQUIPMENT AND DEVICES					
LOCATION	QUANTITY	SINGLE HEAD	MULTI-HEAD	POLE MOUNTED WP/GFI RECEPTACLE	CONTROL CABINET WITH PANELBOARDS, METERING, AND LIGHTING CONTROLS
12+40.34, 38.25 RT	1				
12+7.58, 23.79 LT	1				
11+76.08, 38.61 RT	1				
11+9.44, 38.98 RT	1				
11+8.8, 21.91 LT	1				
10+51.2, 39.31 RT	1				
10+50.57, 20.9 LT	1				
12+40.31, 33.17 RT	1				
12+7.83, 17.51 LT	1				
11+76.05, 33.53 RT	1				
11+9.41, 33.9 RT	1				
11+8.87, 17.1 LT	1				
10+54.1, 34.21 RT	1				
10+53.59, 16.88 LT	1				
09+65.17, 1.62 LT	2				
09+67.12, 33.45 RT	1				

6 Schedule Of Quantities
Scale: Not To Scale

DATE: 01-31-08
 PLOT SCALE: 1" = 1'-0"
 USER: NAME: #12345