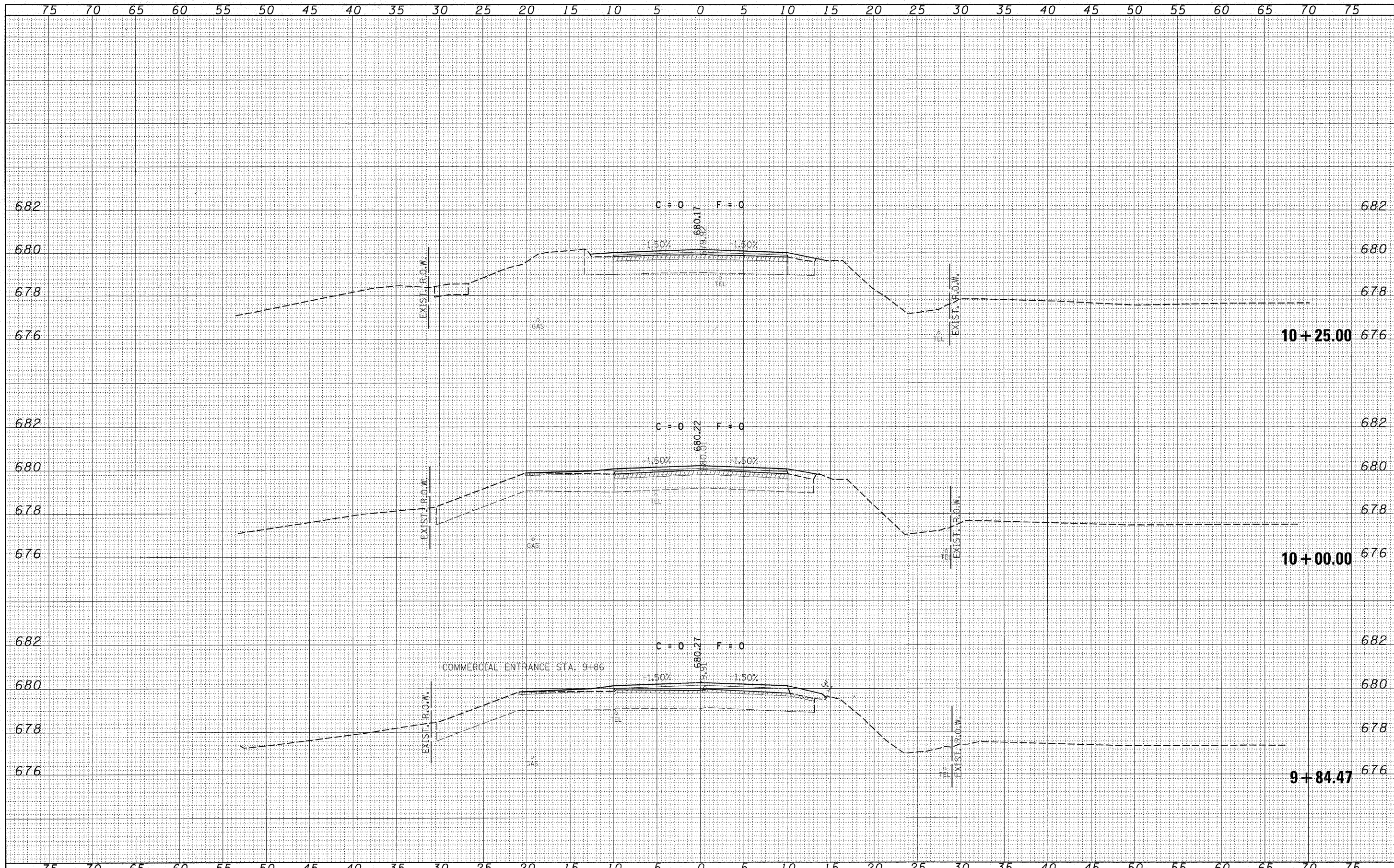


FINAL SURVEY	DATE
NO. _____	_____
BY _____	_____
REVISIONS	
NO.	DATE
1	
2	
3	
4	
5	
6	
7	
8	
9	
10	
11	
12	
13	
14	
15	
16	
17	
18	
19	
20	
21	
22	
23	
24	
25	
26	
27	
28	
29	
30	
31	
32	
33	
34	
35	
36	
37	
38	
39	
40	
41	
42	
43	
44	
45	
46	
47	
48	
49	
50	
51	
52	
53	
54	
55	
56	
57	
58	
59	
60	
61	
62	
63	
64	
65	
66	
67	
68	
69	
70	
71	
72	
73	
74	
75	

ORIGINAL SURVEY	DATE
NO. _____	_____
BY _____	_____
REVISIONS	
NO.	DATE
1	
2	
3	
4	
5	
6	
7	
8	
9	
10	
11	
12	
13	
14	
15	
16	
17	
18	
19	
20	
21	
22	
23	
24	
25	
26	
27	
28	
29	
30	
31	
32	
33	
34	
35	
36	
37	
38	
39	
40	
41	
42	
43	
44	
45	
46	
47	
48	
49	
50	
51	
52	
53	
54	
55	
56	
57	
58	
59	
60	
61	
62	
63	
64	
65	
66	
67	
68	
69	
70	
71	
72	
73	
74	
75	



FILE NAME = 93004-shr-sss.dgn	USER NAME =	DESIGNED - L.F.S.	REVISED -	STATE OF ILLINOIS COUNTY HIGHWAY DEPARTMENT	HAMPTON, LENZINI & RENWICK, INC. CIVIL & STRUCTURAL ENGINEERS LAND SURVEYORS	CROSS SECTIONS		F.A.U.	SECTION	COUNTY	TOTAL SHEETS	SHEET NO.
PLOT SCALE =	DRAWN - TWK	CHECKED -	REVISED -			7059	05-00155-00-RS	VERMILION	97	32		
PLOT DATE = 3/12/2008	DATE - 3/11/08	REVISED -	REVISED -			STA. 9+84.47 TO STA. 10+25.00		CONTRACT NO. 91386		ILLINOIS FED. AID PROJECT		
						SCALE:	SHEET NO.	OF	SHEETS			