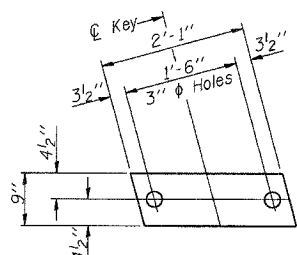
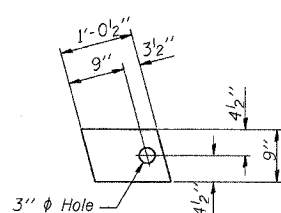


ROUTE NO.	SECTION	COUNTY	TOTAL SHEETS	SHEET NO.
C.H. 8	07-00092-01-BR	SANGAMON	24	14

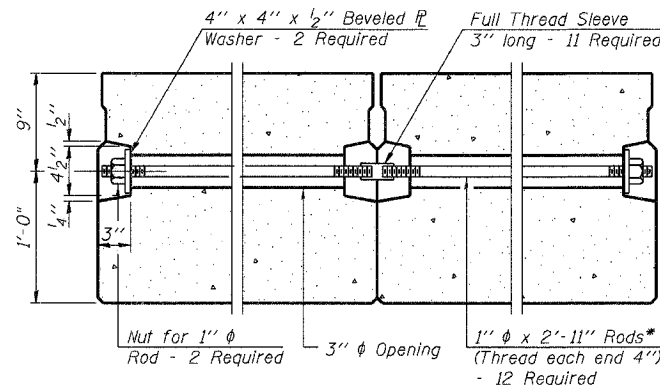
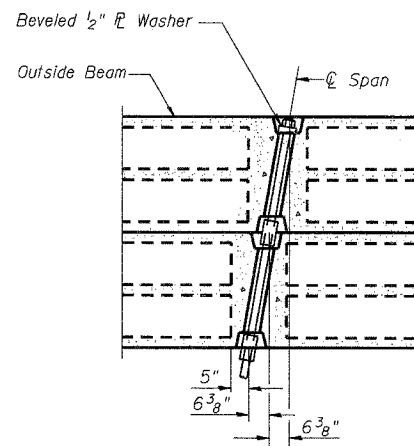
Sheet 3 of 8



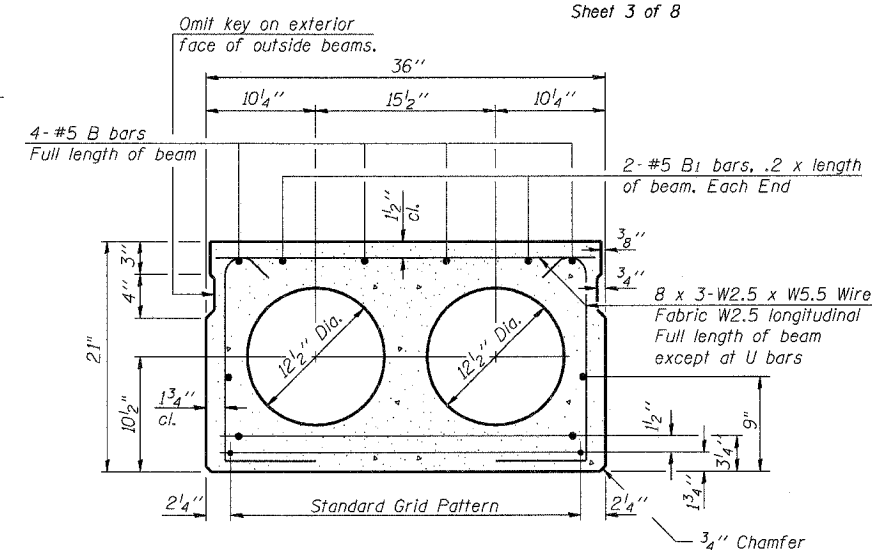
FABRIC BEARING PAD
20 Required (Interior)



FABRIC BEARING PAD
8 Required (Exterior)
FIXED



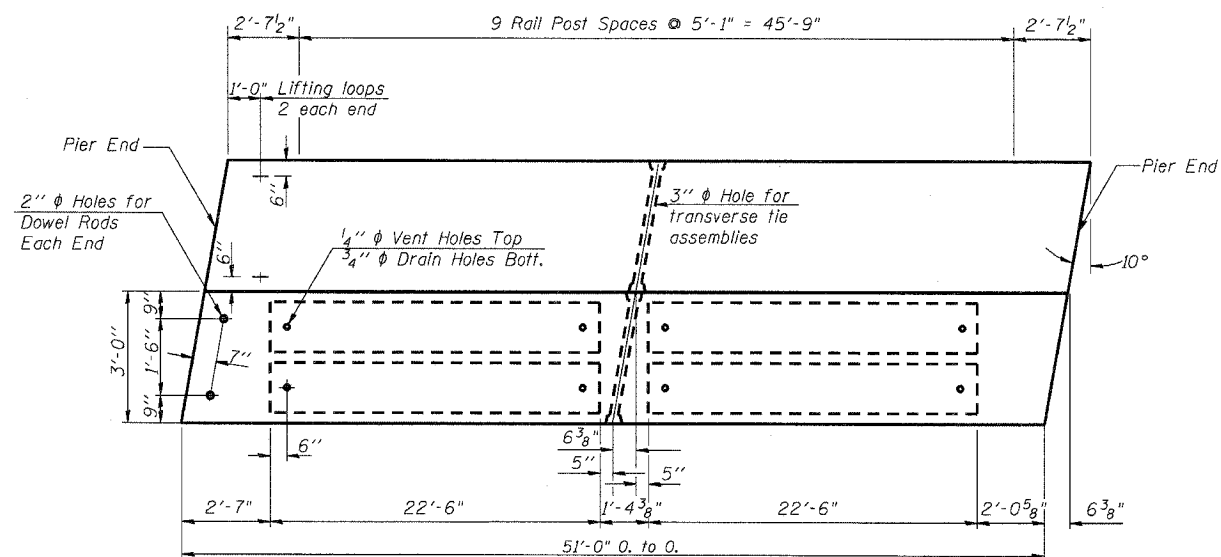
TYPICAL TRANSVERSE TIE ASSEMBLY



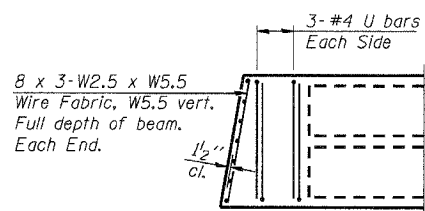
TYPICAL SECTION

16-1/2" ϕ Strands, Each Strand Stressed to 30,900 Lbs.
6-Strands 1 3/4" up, 8-Strands 3 1/4" up, 2-Strands 9" up

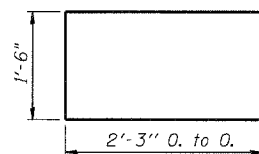
Note:
Place strands symmetrically about ϕ of beam.



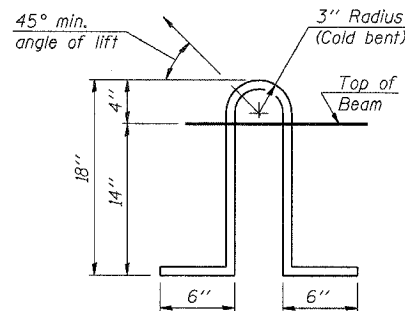
PLAN



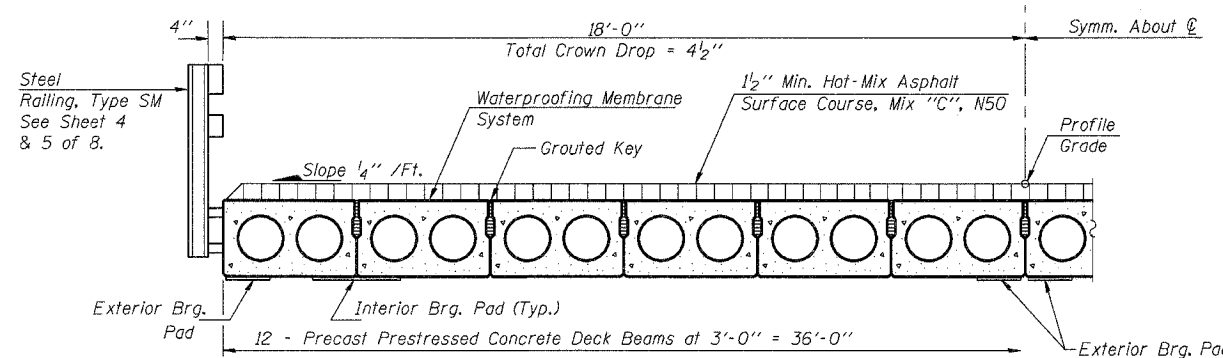
END PLAN



BAR U



LIFTING LOOP DETAIL



HALF CROSS SECTION

The top surface of the beams shall not be roughened by brooming. The finished surface shall be free of depressions or high spots with sharp corners, and the top edge of keys shall be rounded or chamfered a minimum of 1/4".

NOTES

- Prestressing steel shall be uncoated high strength, low relaxation 7-wire strand, Grade 270. The nominal diameter shall be 1/2" and the nominal cross-sectional area shall be 0.153 sq. in. Lifting loops shall be 2 - 1/2" ϕ - 270 ksi strands, as shown.
- * The 1" ϕ rods in the transverse tie assembly shall be tightened to a snug fit and the threads set. Pockets that receive transverse tie bar on outside shall be filled with grout after transverse tie assembly is in place. Alternate approved transverse tie rods of increased segmental length are acceptable.
- Non prestressing steel shall conform to ASTM A 706, Grade 60.
- The bearing seat surfaces shall be adjusted by shimming to assure firm and even bearing. Two 1/2" fabric adjusting shims of the dimensions of the Exterior Bearing Pad shall be provided for each bearing.
- Keyway surfaces shall be cleaned to remove form oil or other bond breaking material prior to shipment of the beams. Cleaning shall be done by sandblasting the keyway areas between top of the beam and the bottom edge of the key.
- Corrosion inhibitor, per Article 1020.05(b)(12) of the Standard Specifications, shall be used in the concrete for precast prestressed concrete deck beams.
- Required Release Strength, f'ci, shall be 4000 p.s.i.
- See Special Provisions for review and distribution of shop drawings.
- Rail post anchor devices, as specified elsewhere, shall be cast into exterior face of outside beams.

BILL OF MATERIAL

Item	Unit	Quantity
Precast Prestressed Concrete Deck Beams (21" Depth)	Sq. Ft.	1836
Portland Cement Mortar Fairing Course	Foot	141

Estimated Weight per beam = 29,700 Pounds

SUPERSTRUCTURE SPAN 2

C.H. 8 OVER SPRING CREEK
SECTION 07-00092-01-BR
SANGAMON COUNTY
STA. 128+68

DESIGNED	T.S.H.
CHECKED	A.A.N.
DRAWN	A.J.H.
CHECKED	M.D.C.

PD-3-L

11-1-06

CUMMINS ENGINEERING CORPORATION
JOB #: 2187
FILE: 2187BEAM
DATE: 2/7/08