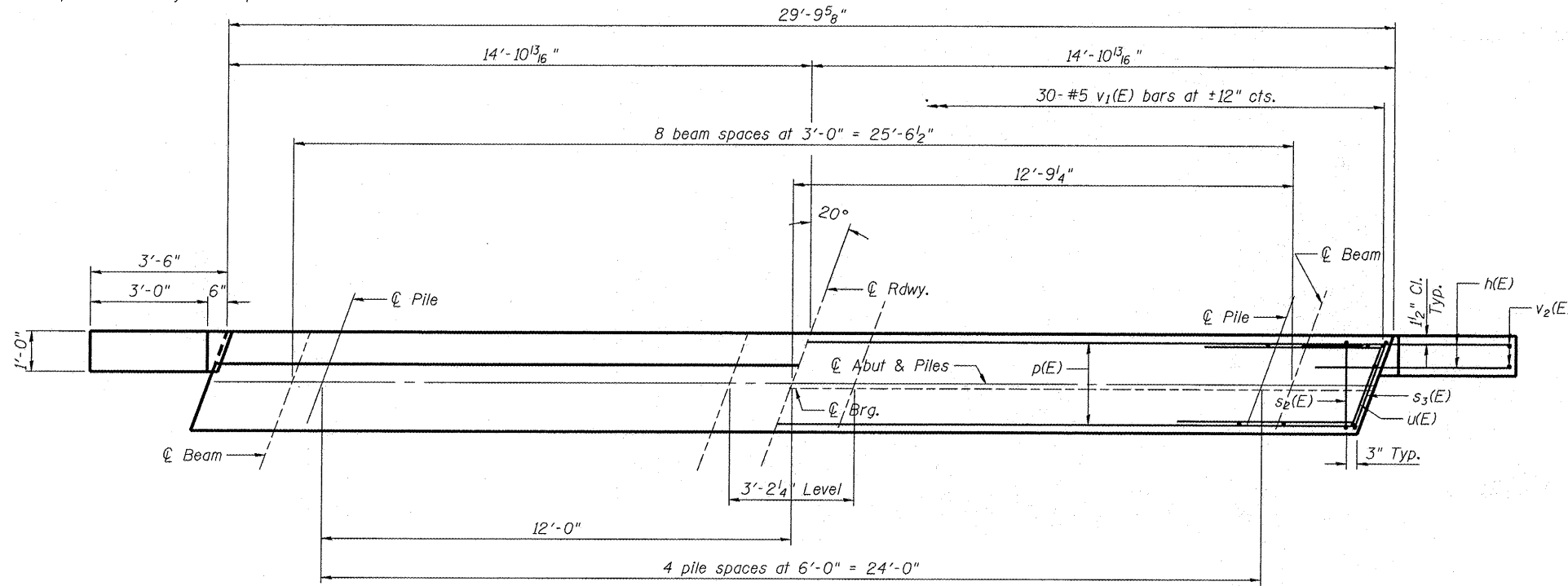
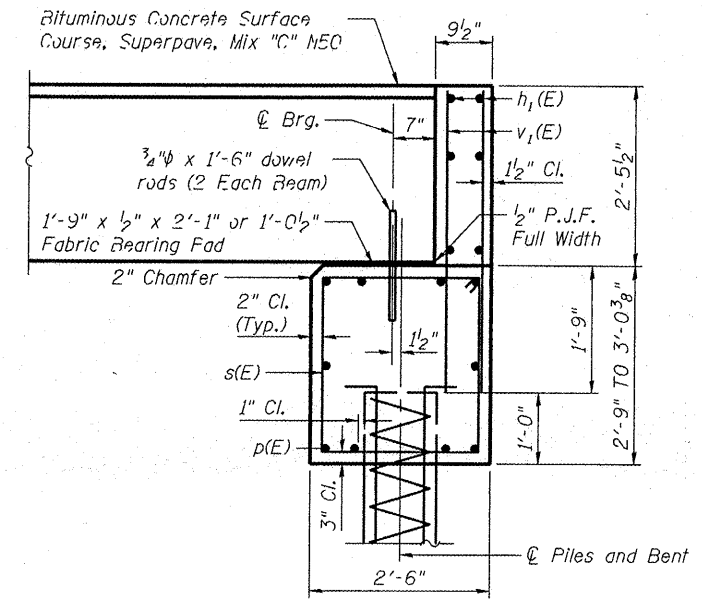


Notes: Pour steps monolithically with cap.

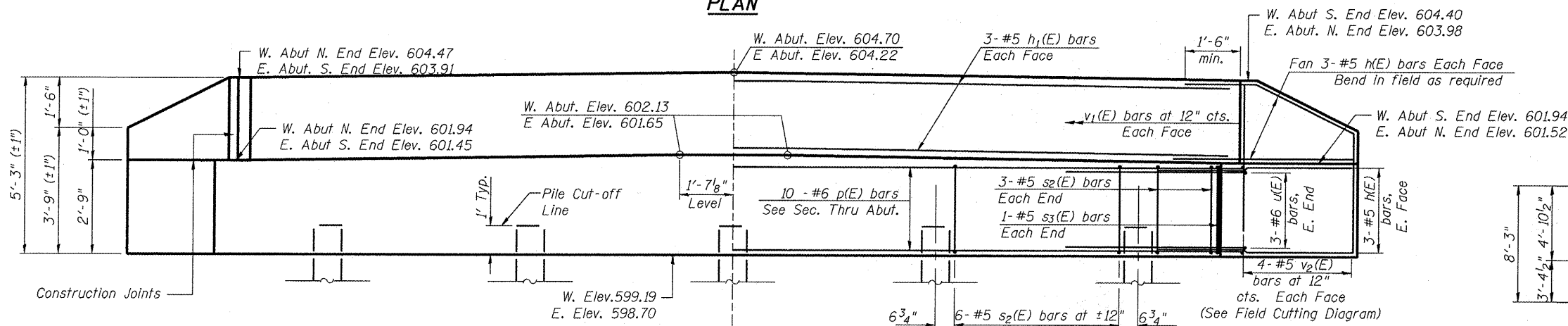
RTE.	SECTION	COUNTY	TOTAL SHEETS	SHEET NO.	SHEET NO. 3 4 SHEETS
TR-195	06-08117-00-BR	MORGAN	14	8	
FED. ROAD DIST. NO.	ILLINOIS	CONTRACT NO.	93461		



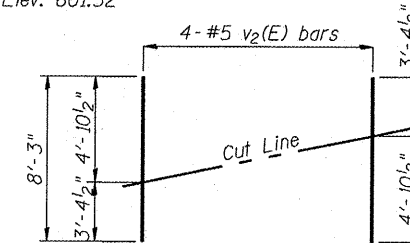
PLAN



SECTION THRU ABUTMENT



ELEVATION



FIELD CUTTING DIAGRAM

Order v2(E) full length. Cut as shown and use remainder of bars in opposite face.

BILL OF MATERIAL (2 ABUT.)

Bar	No.	Size	Length	Shape
h(E)	48	#5	5'-4"	
h1(E)	12	#5	29'-6"	
p(E)	20	#6	29'-6"	
s2(E)	60	#5	9'-10"	
s3(E)	4	#5	10'-2"	
u(E)	12	#6	9'-3"	
v1(E)	120	#5	4'-4"	
v2(E)	16	#5	8'-3"	

Structure Excavation	Cu. Yd.	88
Concrete Structures	Cu. Yd.	23.8
Reinforcement Bars, Epoxy Coated	Pound	3030
Furnishing - Metal Shell Piles 12"	Foot	410
Driving Piles	Foot	410
Test Pile Metal Shells	Each	1

All reinforcement designated (E) to be epoxy coated.

PILE DATA

Type	*Metal Shell 12" ϕ w/ 0.25" walls
Nominal Required Bearing	231.0 kips
Allowable Resistance Available	77.0 kips
Estimated Length	42 ft. at West Abutment, 50 ft. at East Abutment
No. Production Piles	9
No. Test Piles (East Abut.)	1

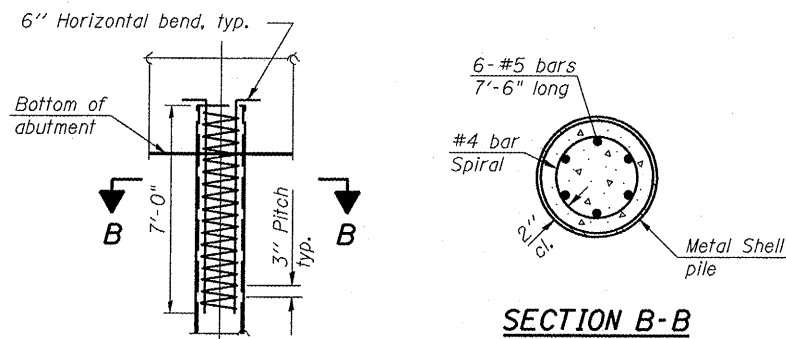
* Metal Shell Piles shall be in accordance with ASTM A252 Grade 3

NOTES

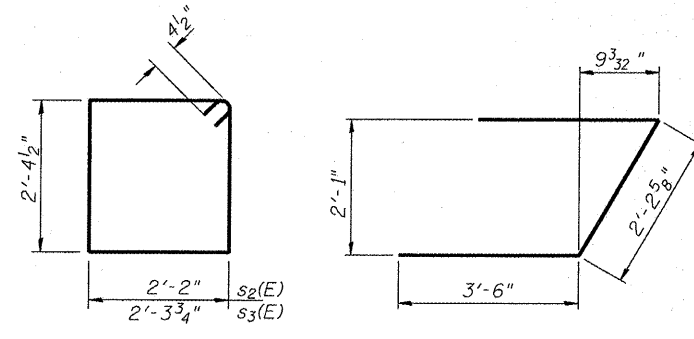
- The backwall and the portion of the wingwalls above the bonded construction joint shall be cast against the in place beam.
- Reinforcement bars shall conform to ASTM A706, Grade 60.

DESIGN STRESSES

$f'_c = 3500$ psi
 $f_y = 60000$ psi



SECTION B-B



BARS s2(E) & s3(E)

BAR u(E)

ELEVATION METAL SHELL REINFORCEMENT AT ABUTMENTS

(included in cost of Driving Piles)

DRAWN BY	JLL
CHECKED BY	MBH
APPROVED BY	REG
DATE	JANUARY 2008
REVISIONS	
DATE	BY
FIELD BOOK:	

ABUTMENT DETAILS
S.N. 069-3264
BRIDGE TR-195 OVER
MAUVAISE TERRE CREEK TRIBUTARY
MORGAN COUNTY, ILLINOIS



BENTON & ASSOCIATES, INC.
Consulting Engineers / Land Surveyors
1970 West Lafayette Ave. Jacksonville, IL 62650
Phone: 217-245-4146 Fax: 217-245-4149
IL Design Firm Registration No. 184-000852

SCALE:	JOB NO. 07E1789	SHEET 8 OF 14
--------	-----------------	---------------