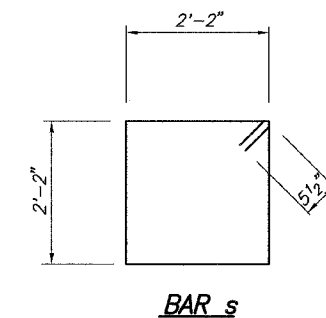
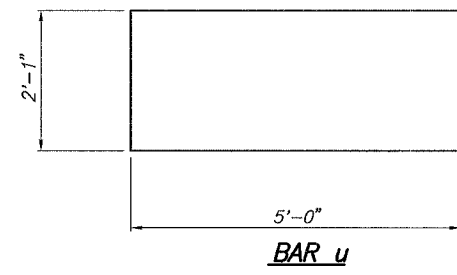
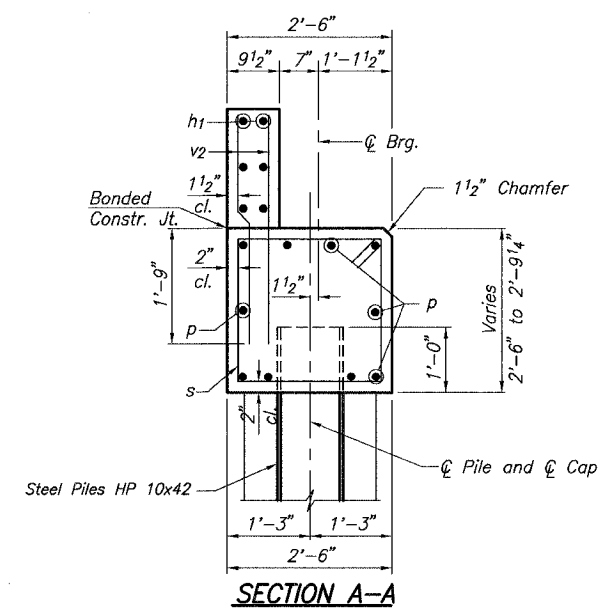
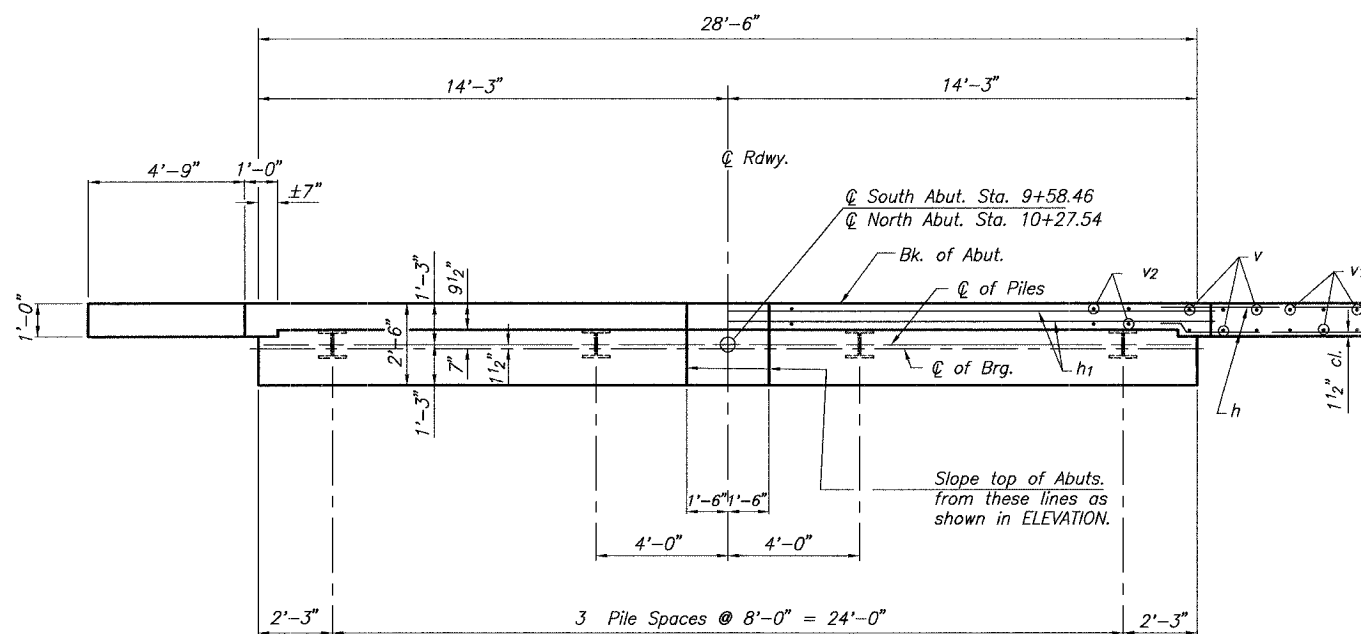
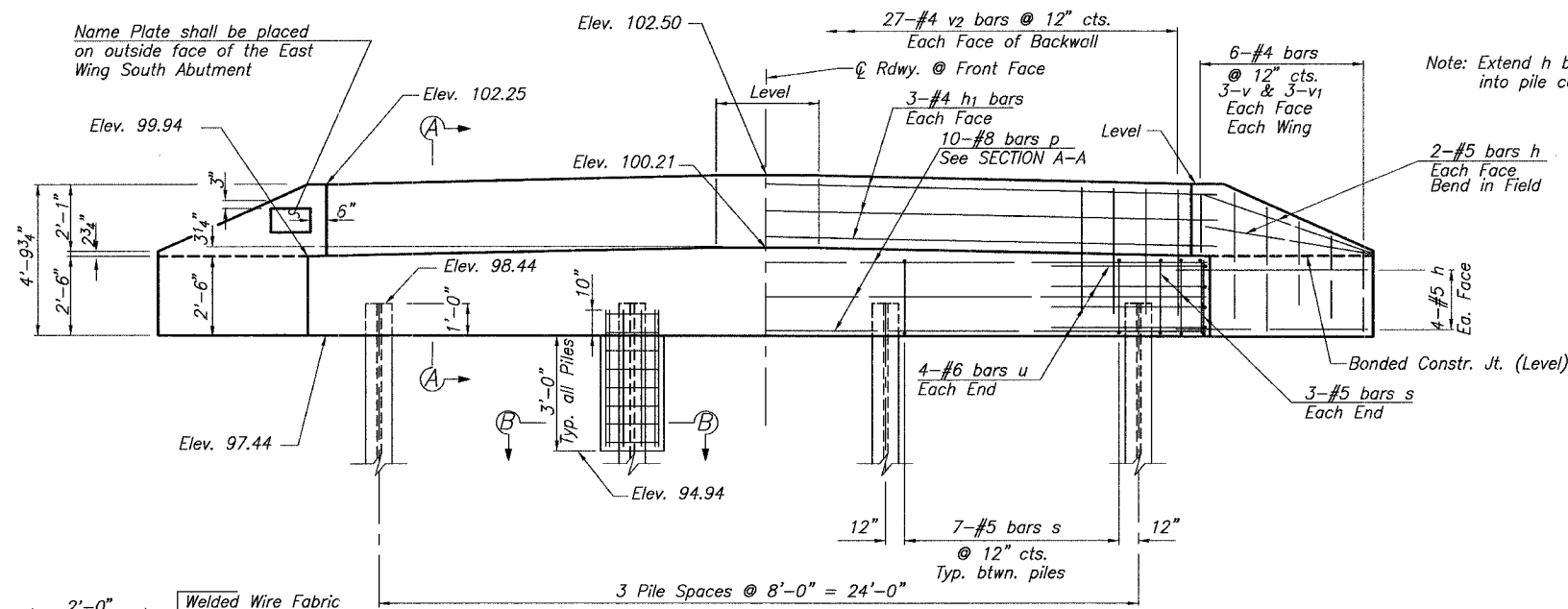


ROUTE NO.	SECTION	COUNTY	TOTAL SHEETS	SHEET NO.
04-00001-00-BR	MACOUPIN	MACOUPIN	10	7
FED. ROAD DIST. NO. 7		ILLINOIS	FED. AID PROJECT-	

\*JULIAN AVENUE



Note: After all beams are in place and dowel rods grouted, the backwall and portions of the wingwall above the bonded construction joint shall be poured.



**BILL OF MATERIAL - 2 ABUTS.**

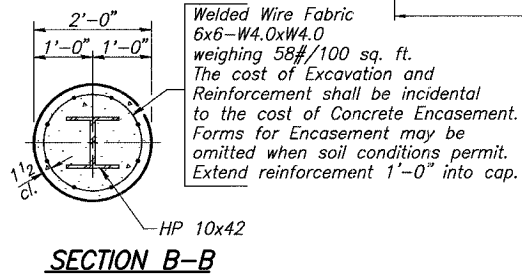
BAR NO.	SIZE	LENGTH	SHAPE
h	#5	7'-6"	—
h1	#4	30'-6"	—
p	#8	28'-2"	—
s	#5	9'-7"	□
u	#6	12'-1"	—
v	#4	3'-11"	—
v1	#4	2'-7"	—
v2	#4	4'-1"	—
Concrete Structures			Cu. Yd. 20.7
Reinforcement Bars			Pound 3,360
Name Plates			Each 1
Steel Pile, HP 10x42			Foot 225
Test Pile, Steel HP 10x42			Each 2
Conc. Encasement			Cu. Yd. 2.8

**PILE DATA**

Type \_\_\_\_\_ Steel HP 10x42  
 No. Req'd. (2 Abut.) \_\_\_\_\_ 8\*  
 Nominal Required Bearing \_\_\_\_\_ 288 Kips/Pile  
 Allowable Resistance Available \_\_\_\_\_ 96 Kips/Pile  
 Est. Length \_\_\_\_\_ 35 Feet/Pile (North Abut.)  
 \_\_\_\_\_ 40 Feet/Pile (South Abut.)

\*Includes one steel test pile to be driven in a permanent location at the each Abutment. The test pile shall be driven to 110 percent of the Nominal Required Bearing indicated in the pile data information.

Steel H-Piles shall be according to AASHTO M270, Grade 50.



PROJECT		SECTION 04-00001-00-BR	PROJECT NO.	08012
VILLAGE OF ROYAL LAKES		MACOUPIN COUNTY	SCALE	1-30-08
STATION 9+93			DATE	1-30-08
			DRAWN BY	MRL
			CHECKED BY	MCB
COOMBE-BLOXDORF P.C.			DRAWING NO.	7
Engineers / Land Surveyors				
Springfield, Illinois				
Design Firm License No. 184-002703				OF 10 SHEETS