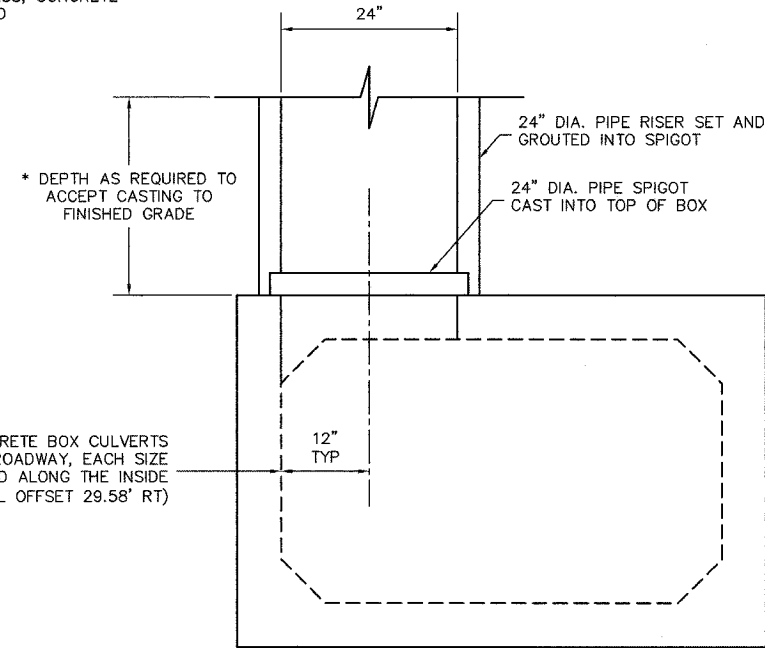


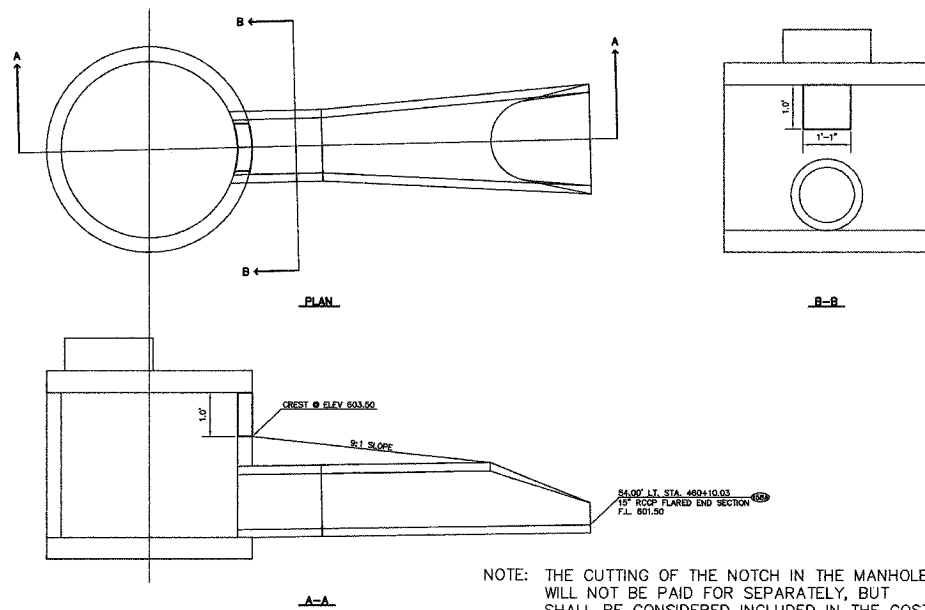
F.A.U. ROUTE	SECTION	COUNTY	TOTAL SHEETS	SHEET NO.
8047	96-00379-00-PV	SANG	66	14
FED. ROAD DIST. NO.		ILLINOIS	FED. AID PROJECT	

* IF DEPTH IS 6 INCHES OR LESS, CONCRETE ADJUSTING RINGS MAY BE USED



FOR PRECAST CONCRETE BOX CULVERTS PARRALLEL TO THE ROADWAY, EACH SIZE CULVERT SHALL BE ALIGNED ALONG THE INSIDE NORTH WALL (TYPICAL OFFSET 29.58' RT)

DETAIL OF MANHOLES, SPECIAL, TYPE 1 FRAME, CLOSED LID
MANHOLES, SPECIAL, TYPE 3 FRAME AND GRATE OR
MANHOLES, SPECIAL, TYPE 8 GRATE



DETAIL OF MANHOLE #158 STA. 460+37.01 54.0' LT.
MANHOLES, TYPE A, 4'-DIAMETER, TYPE 1 FRAME, CLOSED LID

DES.	STATION/OFFSET STRUCTURE TYPE	RIM	INVERT ELEVATION				STORM SEWER (RCCP)								
			NORTH	SOUTH	EAST	WEST	LINE NO.	CLASS /TYPE	SIZE (INCH)	LENGTH (LF)	SLOPE				
250	STA 484+17 41.00' LT INLET, TYPE A, TYPE 8 GRATE	606.73		12 "											
251	STA 484+17 27.00' LT INLET, TYPE A, TYPE 3 FRAME AND GRATE	TC 607.50	12 "	12 "			250	A 1	12	12	0.44%				
252	STA 484+17 27.00' RT INLET, TYPE A, TYPE 3 FRAME AND GRATE	TC 607.50	12 "	12 "			251	A 1	12	52	0.44%				
253	STA 484+17 29.25' RT DIRECT CONNECTION (SEE SPECIFICATIONS)	N/A	12 "		3X2	3X2	252	A 2	12	2	0.44%				
254	STA 485+00 40.27' LT WITH A 8" FLAP GATE INLET, TYPE A, TYPE 8 GRATE	606.93		12 "	8 "										
255	STA 485+00 27.00' LT INLET, TYPE A, TYPE 3 FRAME AND GRATE	TC 607.83	12 "	12 "			254	A 1	12	12	0.44%				
256	STA 485+00 27.00' RT INLET, TYPE A, TYPE 3 FRAME AND GRATE	TC 607.83	12 "	12 "			255	A 1	12	52	0.44%				
257	STA 485+00 29.16' RT DIRECT CONNECTION (SEE SPECIFICATIONS)	N/A	12 "	12 "	4X2	4X2	256	A 2	12	2	0.50%				
258	STA 485+00 38.00' RT INLET, TYPE A, TYPE 8 GRATE	607.51	12 "												
259	STA 485+00 34.00' RT DIRECT CONNECTION (SEE SPECIFICATIONS)	N/A	12 "	12 "	4X2	4X2	258	A 1	12	3	0.44%				
260	STA 486+31.00 45.00' LT PRECAST REINFORCED CONCRETE FLARED END SECTION 30"	FL 604.00	30 "												
261	STA 486+31.00 27.00' LT MANHOLE, TYPE A, 5'-DIAMETER, TYPE 3 FRAME AND GRATE	TC 608.36	30 "	30 "			260	A 1	30	10	0.60%				
263	STA 486+31.00 29.08' RT (BC 28.08' RT) DIRECT CONNECTION (SEE SPECIFICATIONS)	N/A	30 "		5X3	5X3	261	A 1	30	54	0.96%				
264	STA 487+85.44 35.58' RT DIRECT CONNECTION SPECIAL (SEE SPECIFICATIONS)	N/A		EX 21"	5X3	5X3	CONNECT EXISTING 21" STORM SEWER TO PROPOSED PRECAST CONCRETE BOX CULVERT 8' X 3' (SEE SPECIFICATIONS)								
EX MH	EXISTING MANHOLE NW QUADRANT CHECKERBERRY & CRYTAL LAKE	608.13	21 "	21 "	12 "										
265	STA 488+01.10 51.16' LT INLET, TYPE A, TYPE 3 FRAME AND GRATE	TC 609.87			12 "										
266	STA 488+58.68 51.16' LT MANHOLE, TYPE A, 4'-DIAMETER, TYPE 1 FRAME, CLOSED LID	608.75		12 "	12 "	12 "	265	A 2	12	55	0.44%				
267	STA 489+29.68 51.16' LT DIRECT CONNECTION (SEE SPECIFICATIONS)	N/A		3X5	EX 36"	12 "	266	A 2	12	69	0.44%				
268	STA 488+58.68 28.02' LT INLET, TYPE A, TYPE 3 FRAME AND GRATE	TC 609.15	12 "												
266 R	STA 488+58.68 51.16' LT MANHOLE, TYPE A, 4'-DIAMETER, TYPE 1 FRAME, CLOSED LID	608.75		12 "	12 "	12 "	268	A 2	12	20	0.44%				
269	STA 491+00 27.00' RT INLET, TYPE A, TYPE 3 FRAME AND GRATE	TC 608.56			12 "										
270	STA 491+85 27.00' RT INLET, TYPE A, TYPE 3 FRAME AND GRATE	TC 608.19	12 "			12 "	269	A 2	12	83	0.44%				
271	STA 491+85 27.00' LT INLET, TYPE A, TYPE 3 FRAME AND GRATE	TC 608.19	12 "	12 "			270	A 2	12	52	0.44%				
272	(DOGHOUSE) STA 491+85 48.47' LT MANHOLE, TYPE A, 5'-DIAMETER, TYPE 1 FRAME, CLOSED LID	607.45		12 "	EX 36"	EX 36"	271	A 2	12	18	0.44%				
227A	STA 482+50 27.00' RT INLET, TYPE A, TYPE 3 FRAME AND GRATE	606.83		12 "	603.69										
227B	STA 482+50 29.25' RT DIRECT CONNECTION (SEE SPECIFICATIONS)	N/A	12 "		3X2	3X2	227A	A 1	12	2	0.44%				
262	STA 486+35 27' RT INLET, TYPE A, TYPE 3 FRAME AND GRATE	608.37		12 "	603.89										
262A	STA 486+35 29' RT DIRECT CONNECTION (SEE SPECIFICATIONS)	N/A	12 "		5X3	5X3	262	A 1	12	2	0.44%				
254 R	STA 485+00 40.27' LT WITH A 8" FLAP GATE INLET, TYPE A, TYPE 8 GRATE	606.93		12 "	8 "										
254A	STA 485+17.63 40.25' LT INLET, TYPE A, TYPE 1 FRAME, CLOSED LID	607.00				8 "	254A	A 1	8	17	8.88%				

LEGEND

- * - ALL R.C.C.P. STORM SEWER ON THIS PROJECT SHALL HAVE A FLEXIBLE GASKET JOINT CONFORMING TO ASTM-C-443 AND ASTM-C-361.
- K.O. - INDICATES "KNOCK OUT" FOR FUTURE STORM SEWER PIPE
- R** - REPETITIVE STRUCTURE DESIGNATION (DO NOT DUPLICATE QUANTITY)

NOTES

- ALL RCCP STORM SEWER PIPE SHALL BE RUBBER GASKET UNLESS OTHERWISE NOTED.
- ALL OFFSETS TO MANHOLES AND INLETS PLACED IN THE CURB & GUTTER ARE TO THE CENTER OF THE STRUCTURE.
- ALL OFFSETS TO MANHOLES AND INLETS PLACED OUTSIDE THE CURB & GUTTER ARE TO THE CENTER OF THE STRUCTURE.
- ALL OFFSETS AND INVERTS FOR END SECTIONS ARE AT THE APPROPRIATE INLET OR OUTLET END OF THE STRUCTURES CENTERLINE.