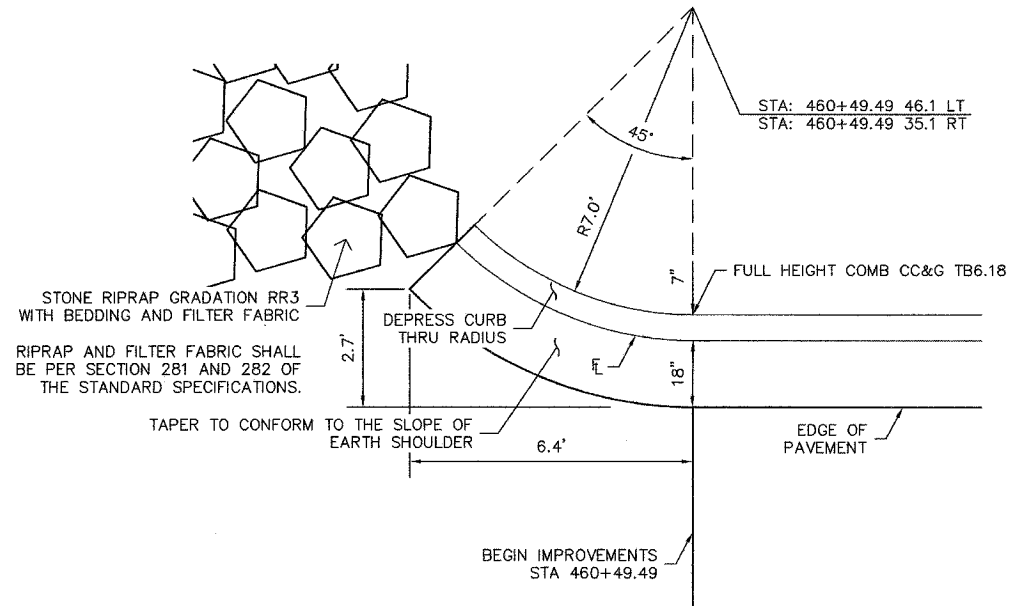
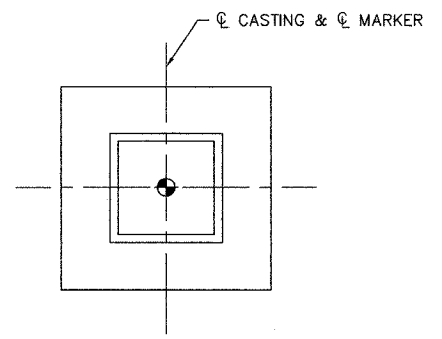
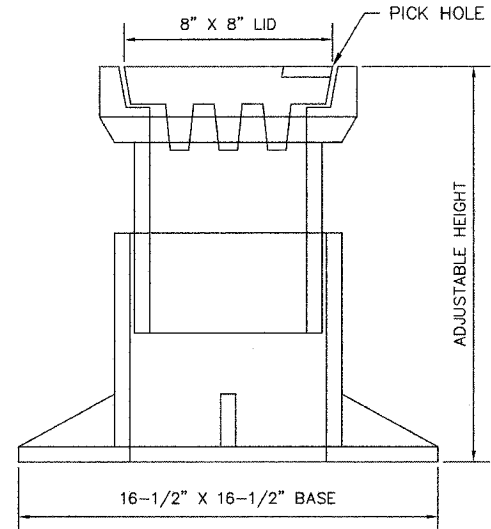


F.A.U. ROUTE	SECTION	COUNTY	TOTAL SHEETS	SHEET NO.
8047	96-00379-00-PV	SANG	66	44
FED. ROAD DIST. NO.		ILLINOIS	FED. AID PROJECT	



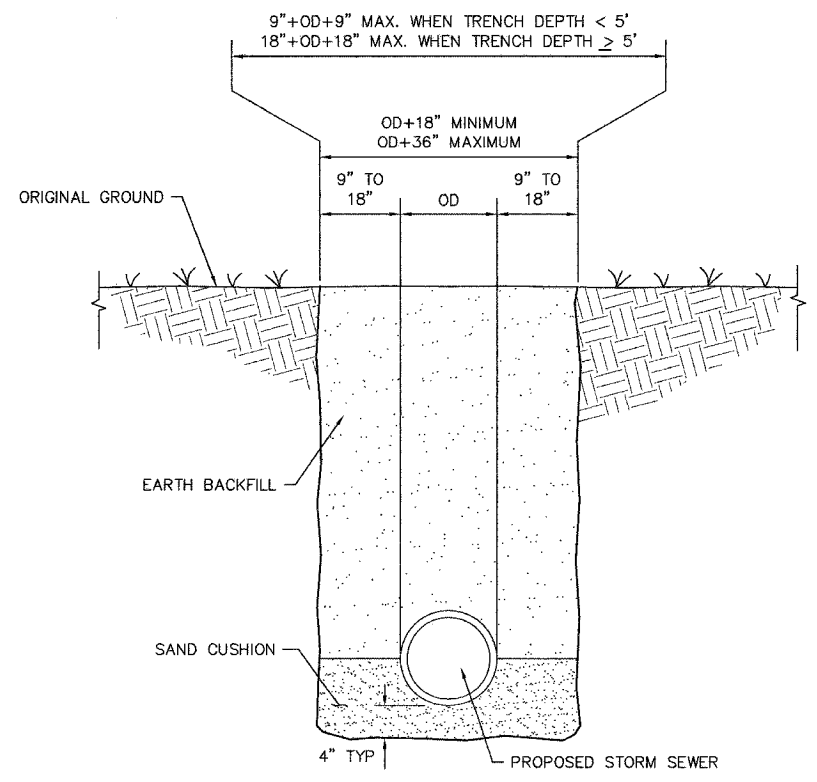
NOTE: TEMPORARY TAPERS WILL NOT BE PAID FOR SEPARATELY, BUT SHALL BE CONSIDERED INCLUDED IN THE COST OF THE COMBINATION CONCRETE CURB AND GUTTER, TYPE B-6.18

TEMPORARY TAPER FOR COMBINATION CONCRETE CURB AND GUTTER, TYPE B-6.18

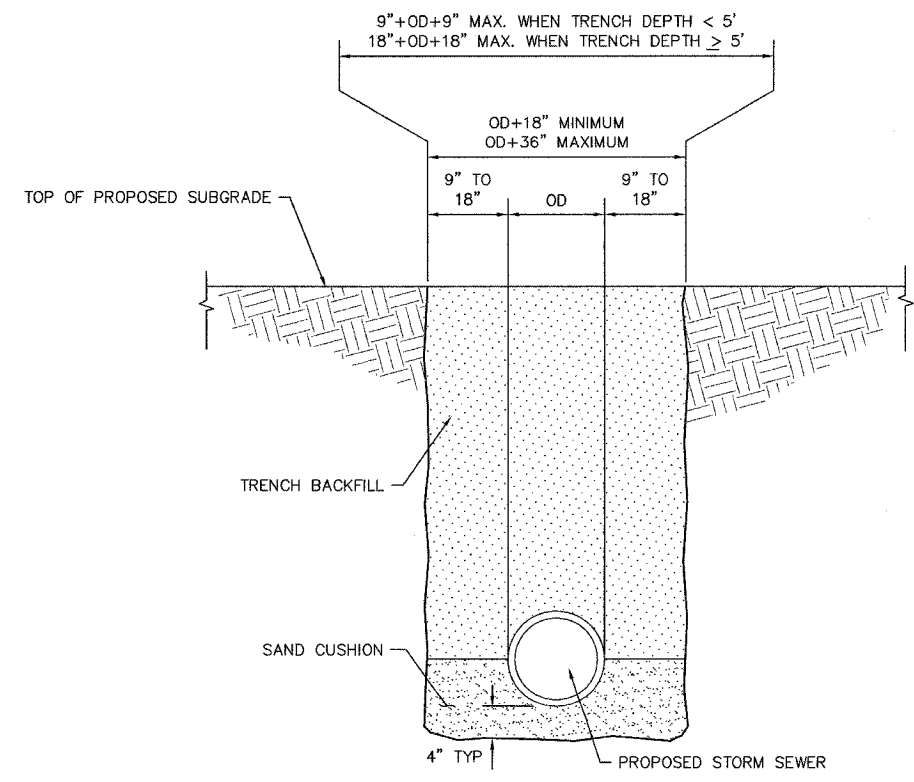


NOTE
THE UNIT COST FOR PERMANENT SURVEY MARKER, SPECIAL SHALL INCLUDE THE COST OF RESETTING OF THE EXISTING SURVEY MARKER (SEE THE SPECIAL PROVISIONS). THE ADJUSTABLE MONUMENT BOX SHALL BE A "NEENAH R-1968 TYPE 36-B" OR APPROVED EQUAL.

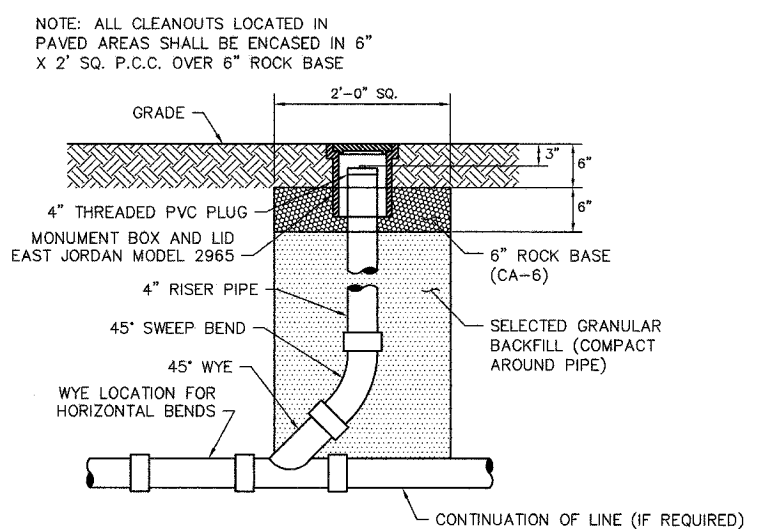
DETAIL OF PERMANENT SURVEY MARKER, SPECIAL
NOT TO SCALE



DETAIL OF TRENCH EXCAVATION UNDER TURF
NOT TO SCALE



DETAIL OF TRENCH EXCAVATION AND BACKFILL UNDER PROPOSED PAVEMENT
NOT TO SCALE



PIPE UNDERDRAIN CLEANOUT, COMPLETE
SCALE: N.T.S.

NOTE: ALL CLEANOUTS LOCATED IN PAVED AREAS SHALL BE ENCASED IN 6" X 2' SQ. P.C.C. OVER 6" ROCK BASE

NO.	DATE	REVISION	BY
SHEET TITLE			
SPECIAL DETAILS			PROJECT NO. 96100
ILES AVENUE			SCALE 1" = 20'
PROJECT			DATE OCT. 2007
ILES AVENUE			DRAWN BY MEC
ILES AVENUE			CHECKED BY PEW
ILES AVENUE			DRAWING FILE C-DETL
ILES AVENUE			DRAWING NO. 44
ILES AVENUE			OF 66 SHEETS

MEC
MARTIN ENGINEERING COMPANY
CONSULTING ENGINEERS AND SURVEYORS
ILLINOIS PROFESSIONAL DESIGN FIRM NO. 184-002843
3223 S. MEADOWBROOK RD., SPRINGFIELD, ILLINOIS 62711
Phone: (217) 698-8900, Fax: (217) 698-8922, E-Mail: meconline@martinengr.com

Attached: 2007(4) Revise 44
 3-TRK (C:\Users\jroberts\Documents\2007\96-00379-00-PV\96-00379-00-PV-TRK.dwg)
 3-TRK (C:\Users\jroberts\Documents\2007\96-00379-00-PV\96-00379-00-PV-TRK.dwg)