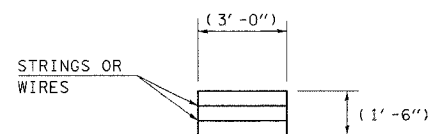
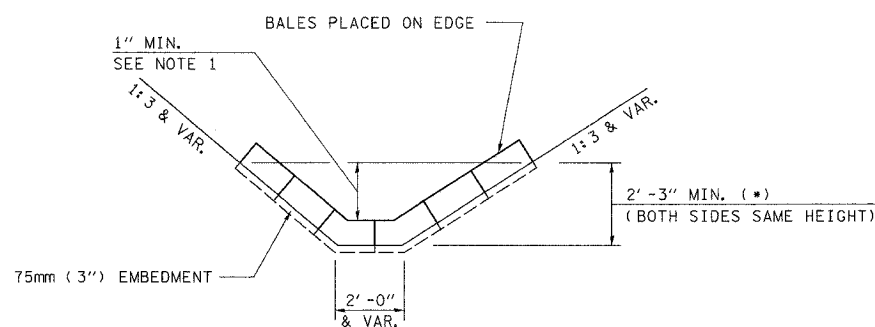


F.A.U.	SECTION	COUNTY	TOTAL SHEETS	SHEET NO.
7998	97-00030-06-WR	SANGAMON	117	56
FED. ROAD DIST. NO.	ILLINOIS	FED. AID PROJECT		



ELEVATION - HAY OR STRAW BALE

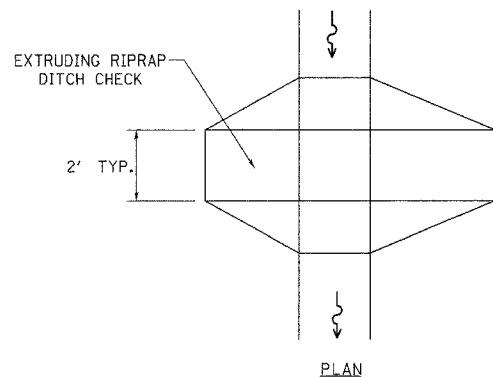


ELEVATION - DITCH CHECK

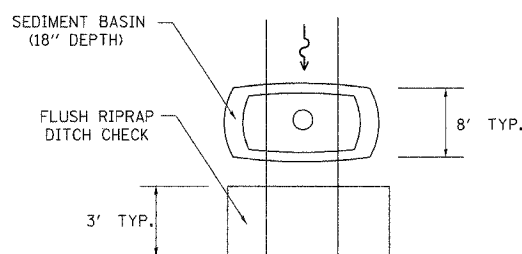
TEMPORARY DITCH CHECK - HAY OR STRAW BALE

(TYPICAL - SEE NOTE 3 AND DETAILS BELOW FOR SUBSTITUTE)

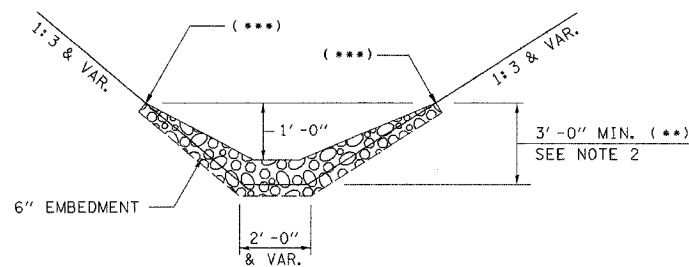
(*) BALES SHALL EXTEND FAR ENOUGH UP THE SLOPES TO ALLOW 1' OVERTOPPING TO AVOID ERODING AROUND THE EDGES OF THE BALES.



PLAN

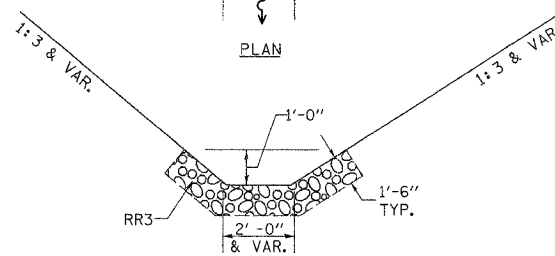


PLAN



ELEVATION

OPTION 1
(EXTRUDING DITCH CHECK)
RECOMMENDED FOR AREAS
W/ RIPRAP DITCH LINING



ELEVATION

OPTION 2
(FLUSH DITCH CHECK)
RECOMMENDED FOR AREAS
W/O RIPRAP DITCH LINING

TEMPORARY DITCH CHECK - STONE DUMPED RIPRAP

(OPTIONAL - SEE NOTES)

(**) RIPRAP SHALL EXTEND FAR ENOUGH UP THE SLOPES TO ALLOW 1' OVERTOPPING TO AVOID ERODING AROUND THE EDGES OF THE RIPRAP.

(***) ENDS SHALL BE TIED INTO SLOPES.

LEGEND FOR EROSION & SEDIMENT CONTROL

ITEM	SYMBOL
AGGREGATE (EROSION CONTROL) [STONE DUMPED RIPRAP DITCH CHECKS: Height = 2']	
TEMPORARY DITCH CHECKS (HAY OR STRAW BALE DITCH CHECKS OR APPROVED SUBSTITUTION)	
INLET PIPE PROTECTION (I&PP) (HAY OR STRAW BALE DITCH CHECKS OR APPROVED SUBSTITUTION)	
PERIMETER EROSION BARRIER	
EARTH EXCAVATION FOR EROSION CONTROL (SEDIMENT BASINS)	
PRESERVE EXISTING TREES, WOODLANDS, AND UNDERSTORY (OUTSIDE CONSTRUCTION LIMITS)	
ITEM PLACED AT BEGINNING OF CONSTRUCTION (Requirement)	
ITEM PLACED AS DIRECTED BY ENGINEER (When required by situation)	
EX DITCH SUMMIT	
PR DITCH SUMMIT	
EX FLOW LINE	
PR FLOW LINE	
PR SWALE	
EX SHEET FLOW	
PR SHEET FLOW	
PR RIP RAP	

NOTES:

- All items shall be constructed as shown on this sheet, on Standard 280001, and as directed by the Engineer.
- The symbology on the STORM WATER POLLUTION PREVENTION PLAN sheets does not represent the size or quantity of bales, for number of bales refer to details and notes shown on this sheet and/or as directed by the Engineer.
- The contractor shall install Temporary Ditch Checks as directed by the Engineer. If the Engineer elects to utilize Flush Riprap Ditch Checks in lieu of Temporary Ditch Checks as detailed herein, the spacing shall be double.

ie
consultants

IE CONSULTANTS, INC.
6420 SOUTH SIXTH STREET
SPRINGFIELD, ILLINOIS 62712
TEL: (217) 529-8027
FAX: (217) 529-4543
IESPRINGFIELD@IE-CONSULTANTS.COM
WWW.IE-CONSULTANTS.COM

EROSION & SEDIMENT CONTROL DETAILS

DESIGNED BY: JEB	DRAWN BY: AAD	CHECKED BY: CMS	DATE: 4/4/08
---------------------	------------------	--------------------	-----------------