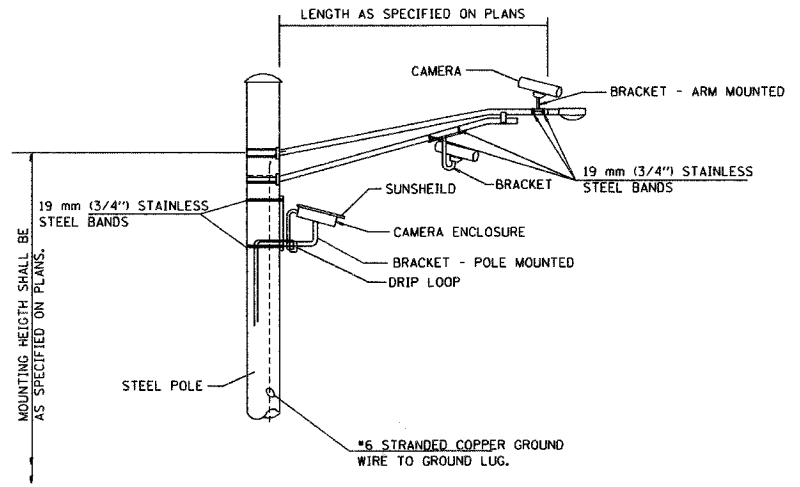
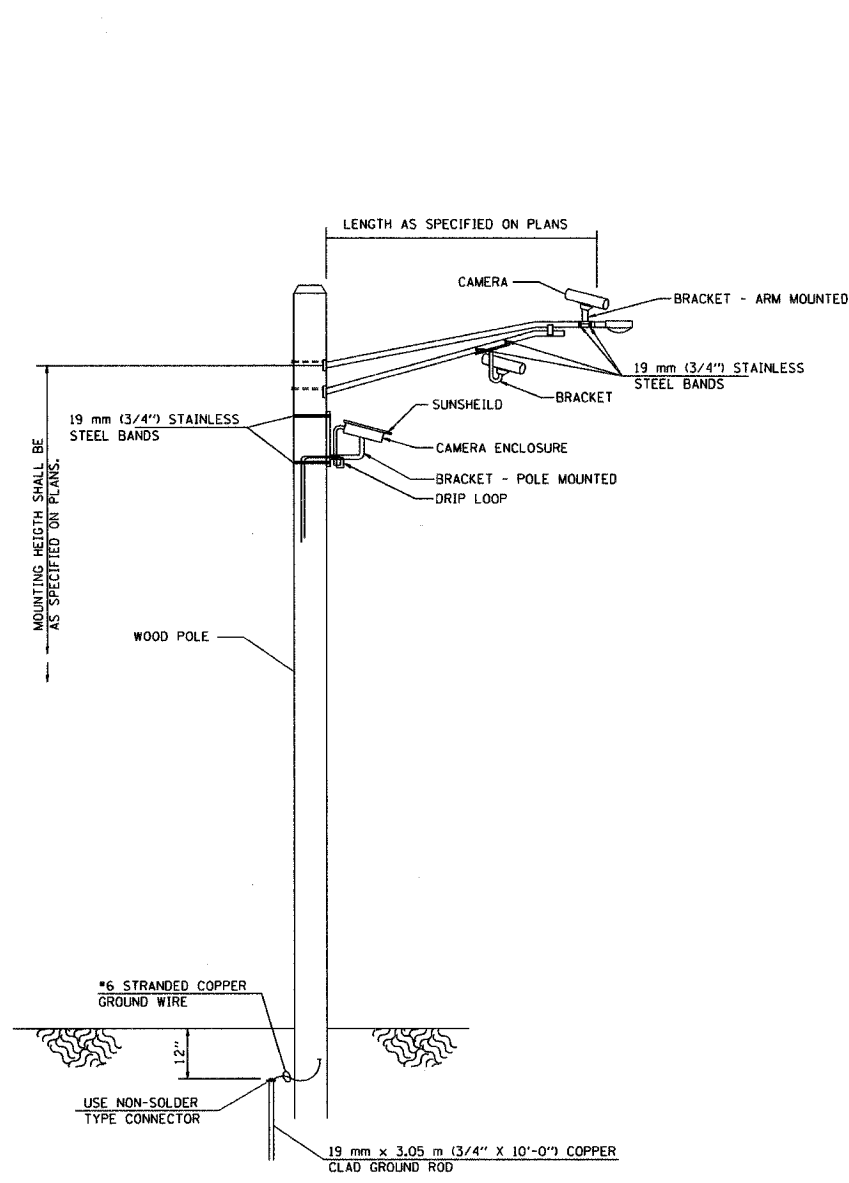


F.A.U. RTE.	SECTION	COUNTY	TOTAL SHEETS	SHEET NO.
7998	B7-00030-06-WR	SANGAMON	117	80
STA.		TO STA.		



**VIDEO DETECTION SYSTEM INSTALLATION
ARM MOUNTED OR POLE MOUNTED CAMERA**

