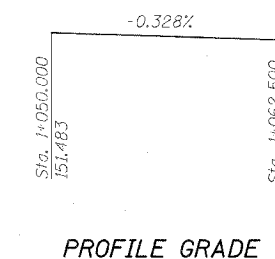
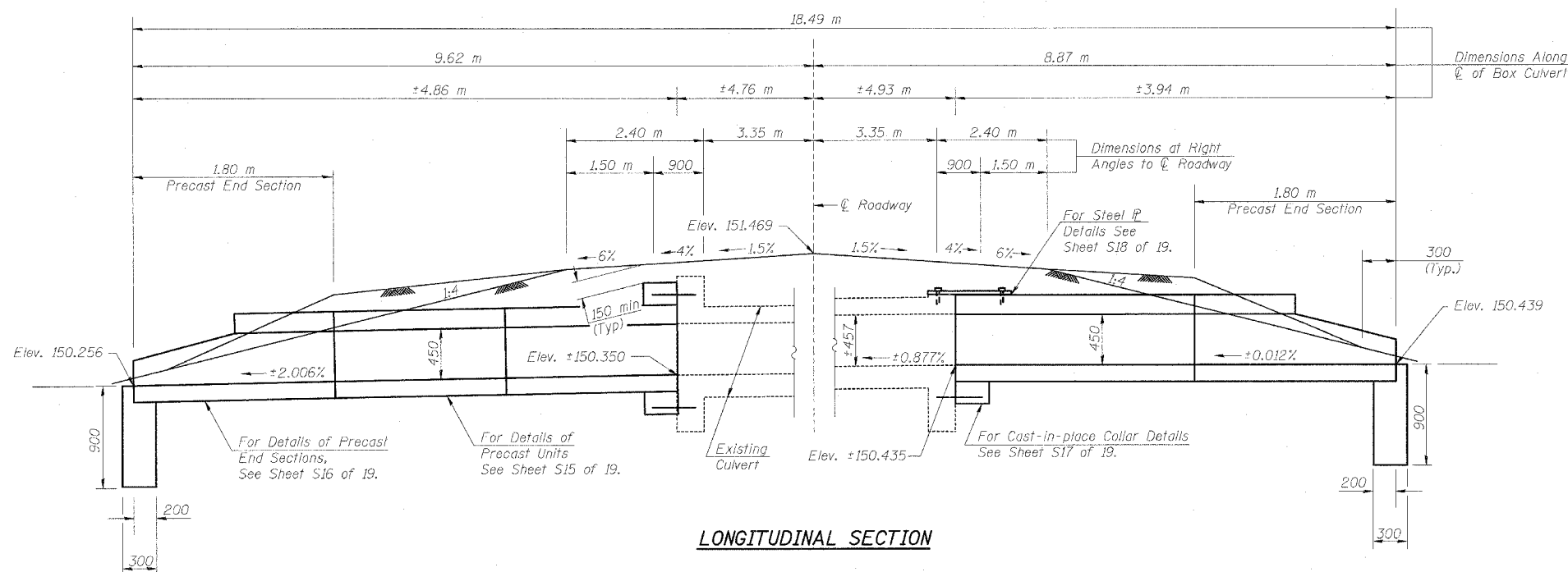


| F.A.P. RTE. | SECTION | COUNTY | TOTAL SHEETS | SHEET NO. |
|---------------------|--------------|----------|------------------|-----------|
| 781 | 1YRS, 2ZRS-1 | CRAWFORD | 378 | 183 |
| STA. | | TO STA. | | |
| FED. ROAD DIST. NO. | | ILLINOIS | FED. AID PROJECT | |

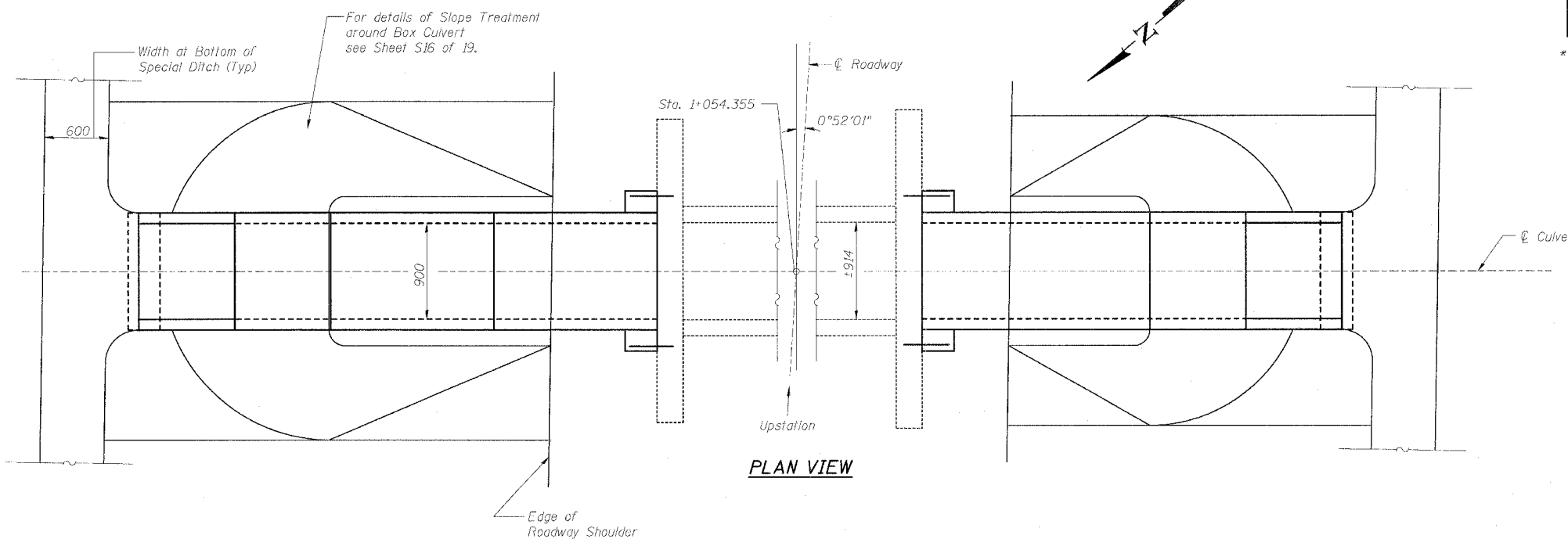
Existing Structure: The structure is a single barrel 914 mm x 457 mm box culvert at a skew of 0°52'01" right forward. The culvert has an overall length of 9.69 m. The contractor shall extend the culvert on each end for the dimensions shown.



BILL OF MATERIAL - BOX CULVERT NO. 1

| Item | Unit | Total |
|--|--------|-----------|
| M5030350 Concrete Structures | cu. m. | 0.5 |
| M5080205 Reinforcement Bars, Epoxy Coated | kg | 90 |
| Precast Concrete Box Culvert (900x450) | m | 5.2 |
| * 5401001 Box Culvert End Section, Culvert No. 1 | Each | 2 |
| M5403220 Expansion Bolts (M20x250) | Each | 21 |
| M2810707 Stone Riprap, Class A4 | sq. m. | See Plans |
| M5050405 Furnishing & Erecting Structural Steel | kg | 130 |

* Non-standard size.



| REVISIONS | | ILLINOIS DEPARTMENT OF TRANSPORTATION BOX CULVERT EXTENSIONS GENERAL PLAN & ELEVATION BOX CULV. NO. 1, STA. 1+054.355 |
|-----------|------|--|
| NAME | DATE | |
| | | SCALE NONE |
| | | DATE DECEMBER 10, 2006 |
| | | DRAWN BY MLB |
| | | CHECKED BY MTH |

PLOT DATE = 3/20/2008
 FILE NAME = H:\1420\14205 (Lin Eng)\design_files\12-10-2006\LS-92.dgn