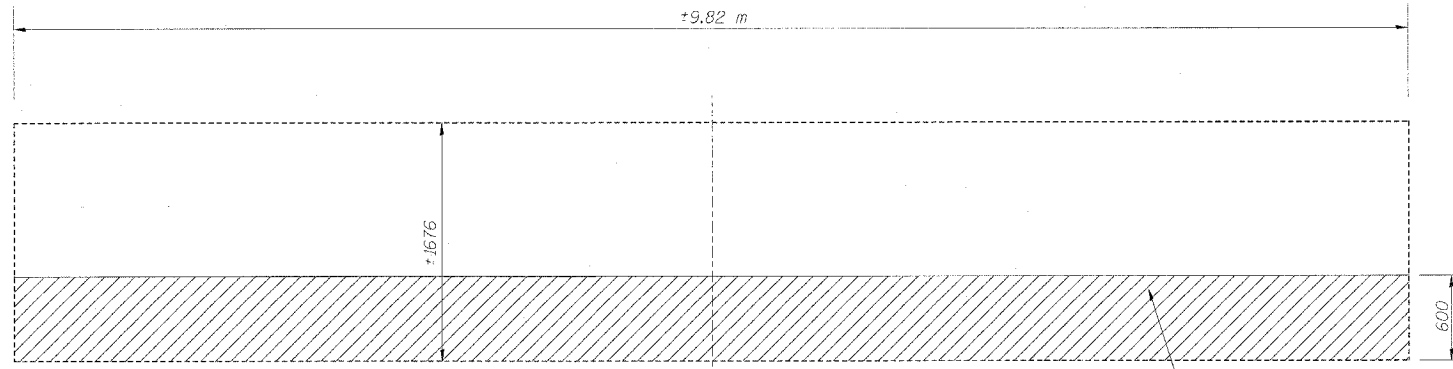
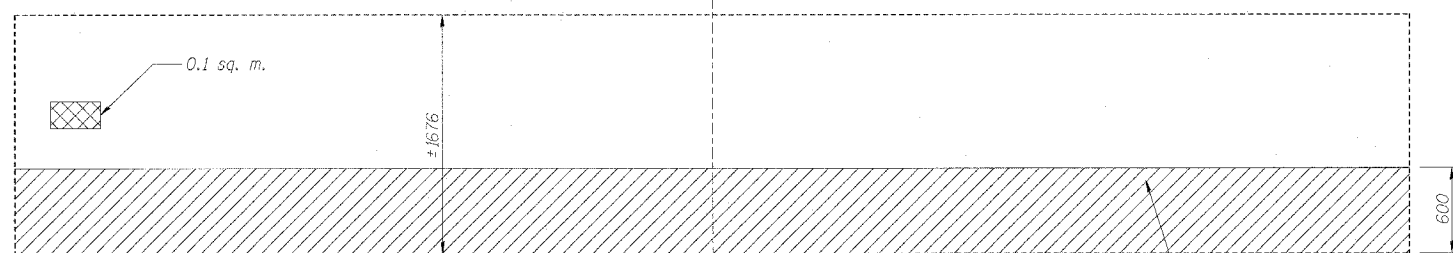


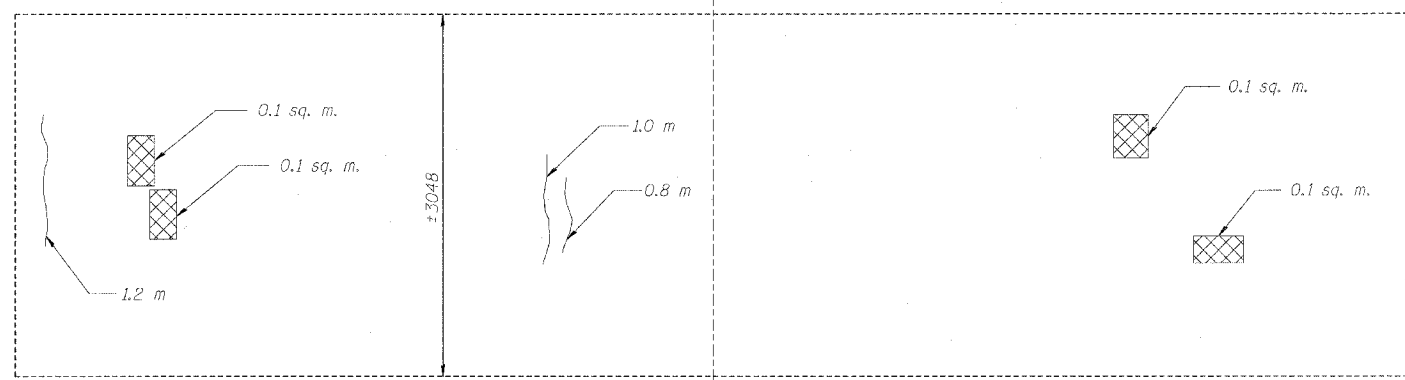
F.A.P. RTE.	SECTION	COUNTY	TOTAL SHEETS	SHEET NO.
781	1YRS, 2ZRS-1	CRAWFORD	378	187
STA.		TO STA.		
FED. ROAD DIST. NO.		ILLINOIS	FED. AID PROJECT	



WEST WALL
(Looking West)



EAST WALL
(Looking East)



TOP SLAB

Note:
The quantities shown are for estimating purposes only. The actual area to be repaired will be determined by the Engineer at the time of construction. Actual repair locations shall be shown on the "As Built" plans.

LEGEND

- Polymer Modified Portland Cement Mortar
- Structural Repair of Concrete (Depth Equal to or Less than 125mm)
- Epoxy Crack Injection
- m - Meter
- sq. m. - Square Meter

BILL OF MATERIAL - BOX CULVERT NO. 8

Item	Unit	Total
MX033694 Structural Repair of Concrete (Depth Equal to or Less than 125mm)	sq. m.	0.6
M5900200 Epoxy Crack Injection	m	3.6
MX032196 Polymer Modified Portland Cement Mortar	sq. m.	14.2

Quantity increased by 20% to account for deterioration since field inspection.

REVISIONS		ILLINOIS DEPARTMENT OF TRANSPORTATION BOX CULVERT EXTENSIONS CONCRETE REPAIR DETAILS BOX CULV. NO. 8, STA. 5+750.192
NAME	DATE	
		SCALE NONE
		DATE DECEMBER 10, 2006
		DRAWN BY MLB
		CHECKED BY MTH

PLOT DATE = 3/29/2006
 FILE NAME = HY442044205 (Lin Eng)\design_files\12-18-2006\AS-06.dgn

LIN NO. 9803