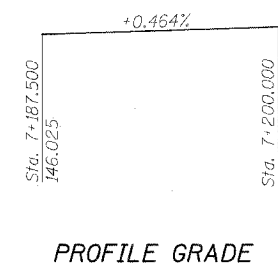
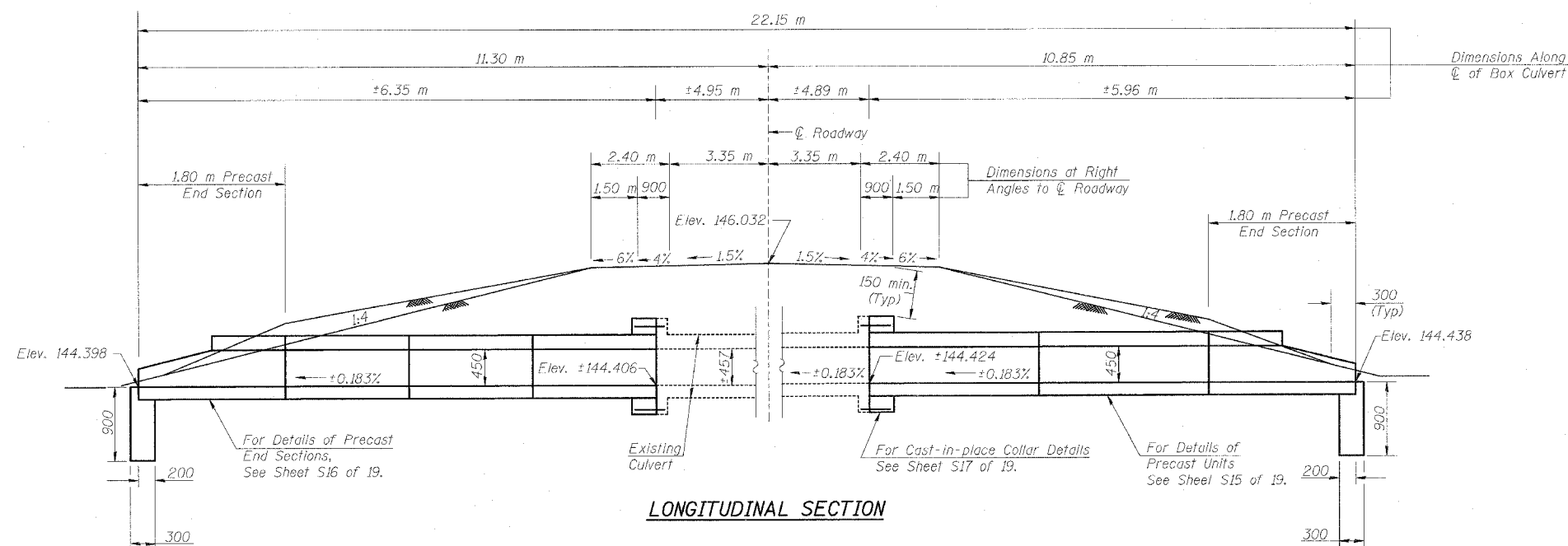


F.A.P. RTE.	SECTION	COUNTY	TOTAL SHEETS	SHEET NO.
781	1YRS, 2ZRS-1	CRAWFORD	378	188
STA.		TO STA.		
FED. ROAD DIST. NO.		ILLINOIS	FED. AID PROJECT	

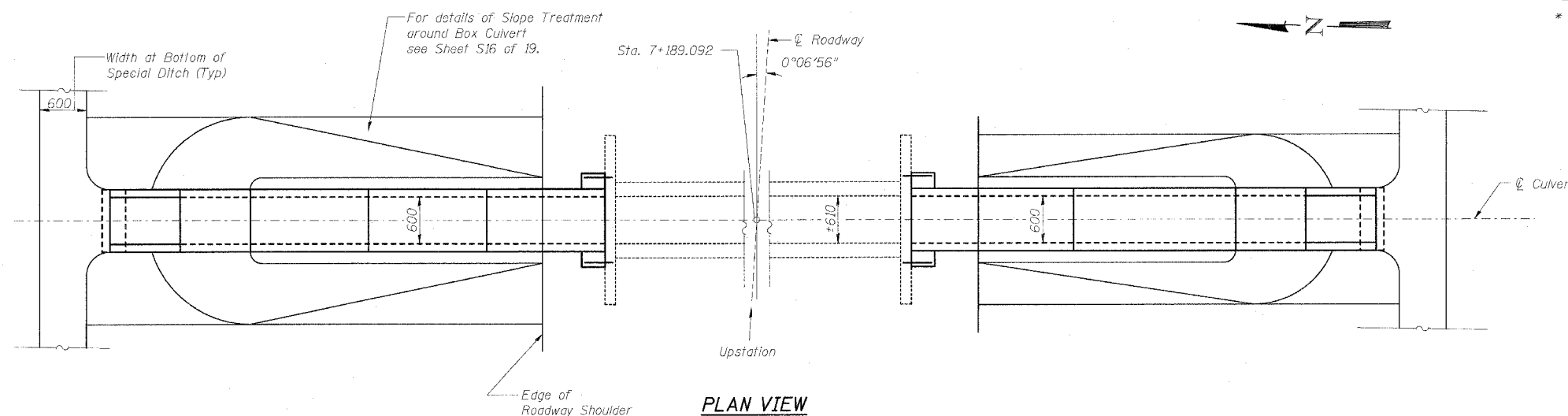
Existing Structure: The structure is a single barrel 610 mm x 457 mm box culvert at a skew of 0°6'56" right forward. The culvert has an overall length of 9.84 m. The contractor shall extend the culvert on each end for the dimensions shown.



**BILL OF MATERIAL - BOX CULVERT NO. 10**

Item	Unif	Total
M5030350 Concrete Structures	cu. m.	0.4
M5080205 Reinforcement Bars, Epoxy Coated	kg	90
M5401002 Precast Concrete Box Culvert (600x450)	m	8.7
* 5401010 Box Culvert End Section, Culvert No. 10	Each	2
M5403220 Expansion Bolts (M20x250)	Each	20
M2810707 Stone Riprap, Class A4	sq. m.	See Plans

\* Non-standard size.



REVISIONS		ILLINOIS DEPARTMENT OF TRANSPORTATION BOX CULVERT EXTENSIONS GENERAL PLAN & ELEVATION BOX CULV. NO. 10, STA. 7+189.092
NAME	DATE	
		SCALE NONE
		DATE DECEMBER 10, 2006
		DRAWN BY MLB
		CHECKED BY MTH

PLOT DATE = 3/20/2008  
 FILE NAME = H:\4428\1428.5 (Lin. Eng)\design\_11.dwg 12-10-2006 9:57:49