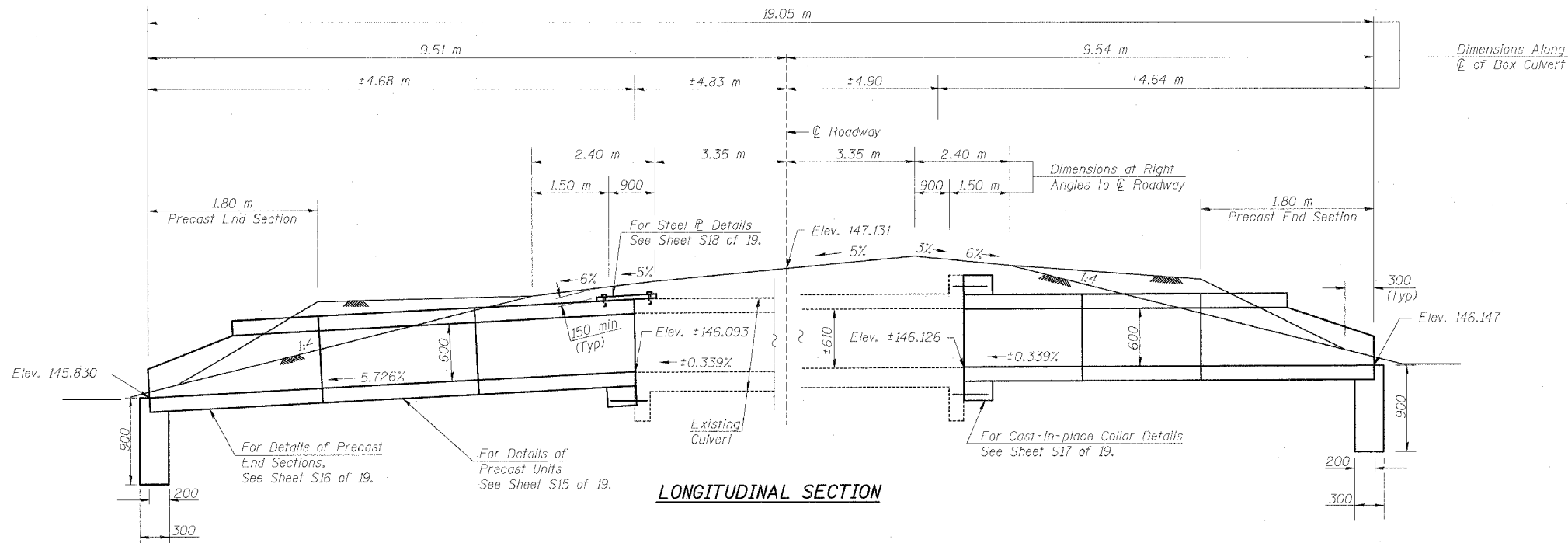


F.A.P. RTE.	SECTION	COUNTY	TOTAL SHEETS	SHEET NO.
781	1YRS, 2ZRS-1	CRAWFORD	378	190
STA.		TO STA.		
FED. ROAD DIST. NO.		ILLINOIS	FED. AID PROJECT	

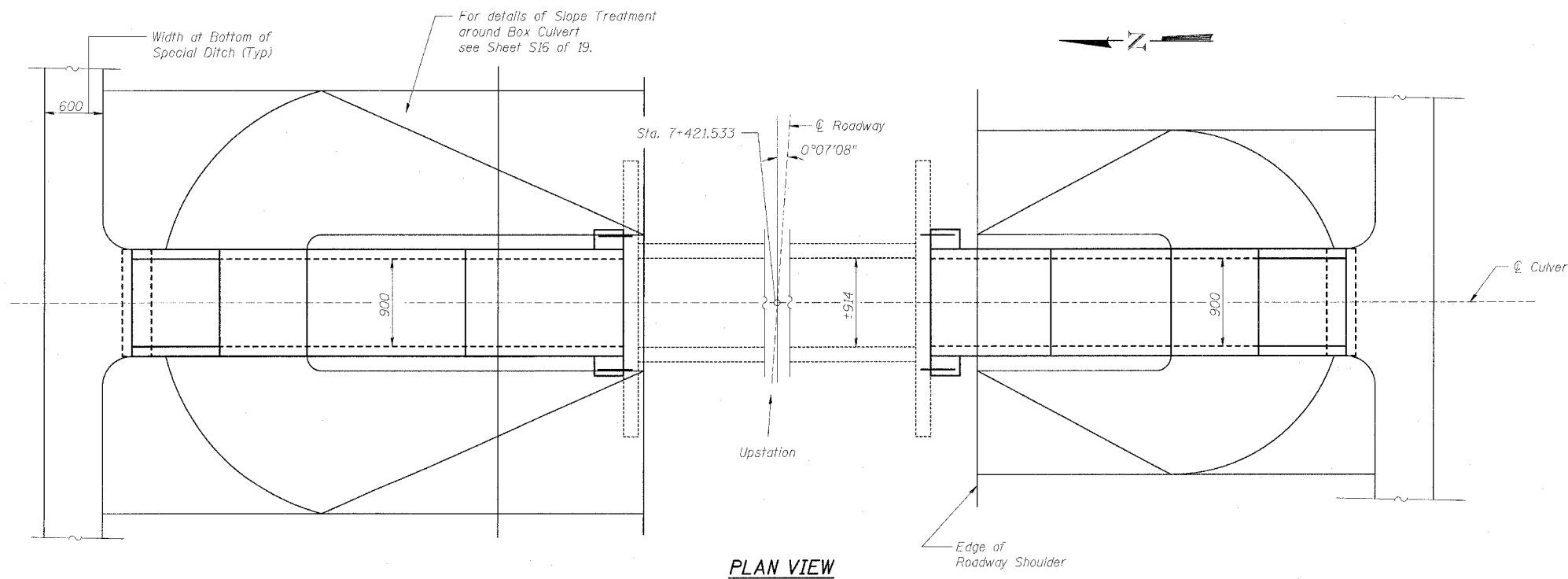
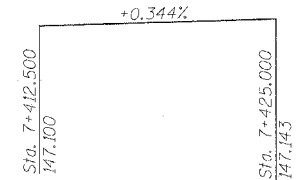
Existing Structure: The structure is a single barrel 914 mm x 610 mm box culvert at a skew of 0°07'08" right forward. The culvert has an overall length of 9.73 m. The contractor shall extend the culvert on each end for the dimensions shown.



CURVE PII DATA

PI STA. 7+419.751
 $\Delta = 9^\circ 10' 39''$ (LT)
 $T = 46.658$ m
 $R = 581.332$ m
 $L = 93.117$ m
 $E = 1.869$ m
 $S.E. = 5.0\%$
 PC STA 7+373.093
 PT STA 7+466.210

Attain S.E. Sta. 7+338.093 to 7+385.093
 and Sta. 7+454.210 to 7+501.210



BILL OF MATERIAL - BOX CULVERT NO. 11

Item	Unit	Total
M5030350 Concrete Structures	cu. m.	0.5
M5080205 Reinforcement Bars, Epoxy Coated	kg	90
M5401005 Precast Concrete Box Culvert (900x600)	m	5.7
5401011 Box Culvert End Section, Culvert No. 11	Each	2
M5403220 Expansion Bolts (M20x250)	Each	21
M2810707 Stone Riprap, Class A4	sq. m.	See Plans
M5050405 Furnishing & Erecting Structural Steel	kg	130

SHEET S9 OF 19

REVISIONS		ILLINOIS DEPARTMENT OF TRANSPORTATION BOX CULVERT EXTENSIONS GENERAL PLAN & ELEVATION BOX CULV. NO. 11, STA. 7+421.533
NAME	DATE	
		SCALE NONE
		DATE DECEMBER 10, 2006
		DRAWN BY MLB
		CHECKED BY MTH

Plot Date = 3/20/2006
 File Name = R:\4221\4221\265 ILN Eng\AutoCAD\12-10-2006\5-PP.dgn