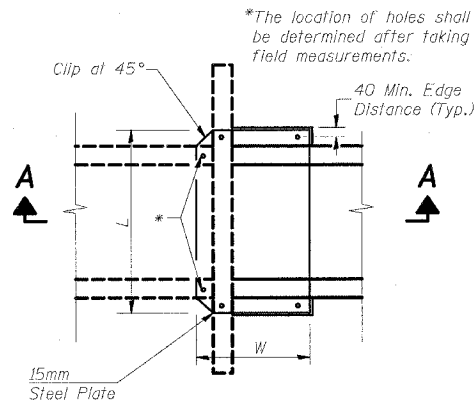


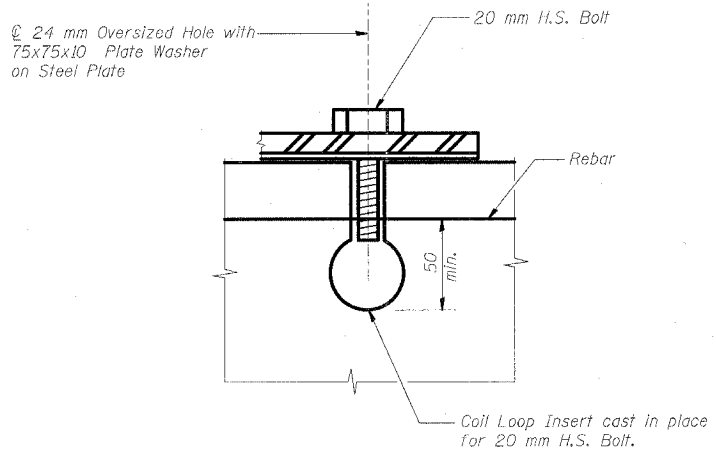
F.A.P. RTE.	SECTION	COUNTY	TOTAL SHEETS	SHEET NO.
781	1YRS, 2ZRS-1	CRAWFORD	378	199
STA.		TO STA.		
FED. ROAD DIST. NO.	ILLINOIS	FED. AID PROJECT		



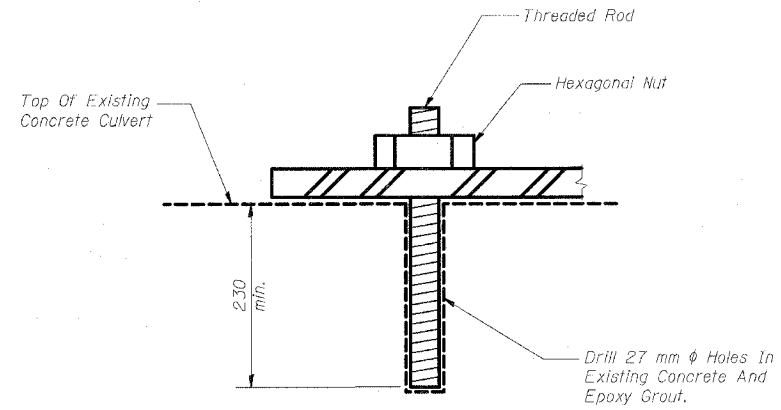
**PLAN
DETAIL OF STEEL PLATE
ATTACHMENT**

Box No.	Location	Size L x W
1	Upstream Collar	1500 x 700 **
4	Downstream Collar	1500 x 700 **

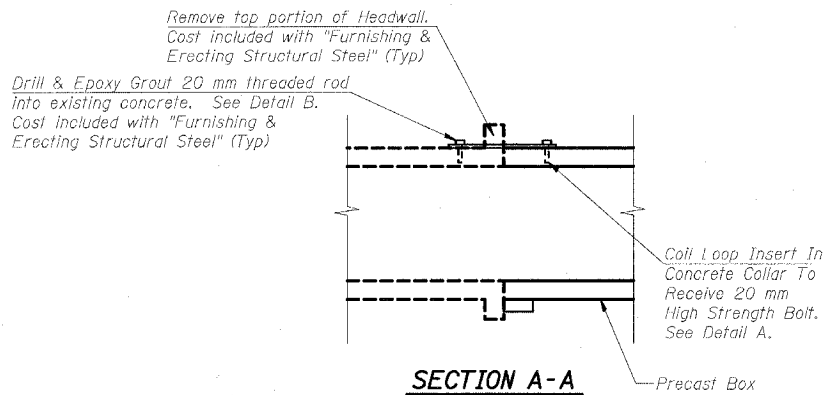
**Contractor to verify dimensions based on actual culvert size provided by the fabricator.



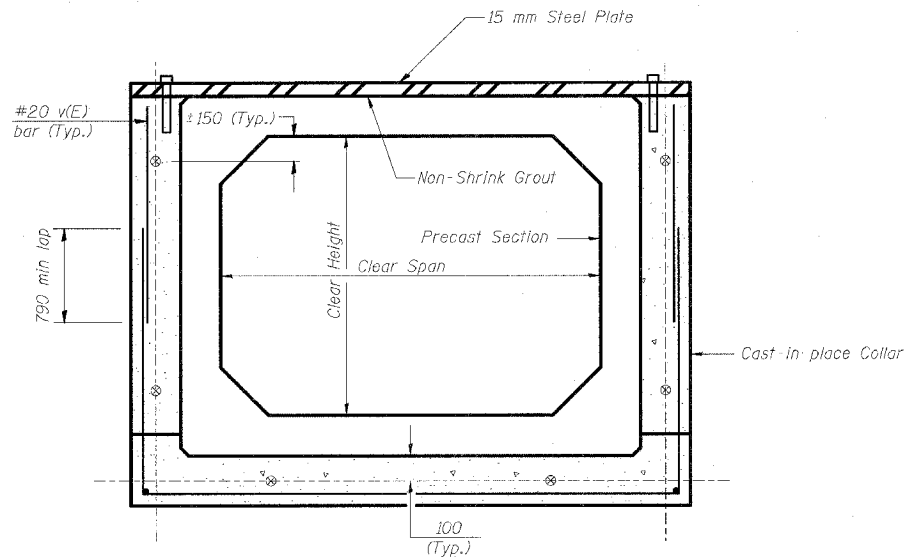
DETAIL A



DETAIL B



SECTION A-A



**MODIFIED COLLAR DETAIL WITH
STEEL PLATE AT TOP**

See Sheet S17 of 19 for Collar Details and Reinforcement Bar List.

NOTES

The Steel Plate & Hardware shall be Galvanized in accordance with AASHTO M232, AASHTO M111 and ASTM A385.

REVISIONS		ILLINOIS DEPARTMENT OF TRANSPORTATION BOX CULVERT EXTENSIONS MISCELLANEOUS DETAILS
NAME	DATE	

SCALE NONE DRAWN BY MLB
DATE DECEMBER 10, 2006 CHECKED BY MTH

PLOT DATE = 2/28/2009
 FILE NAME = H:\4420\4420\5 Lin Eng\Design Files 12-18-2006\S-18.dgn

LIN NO. 9803