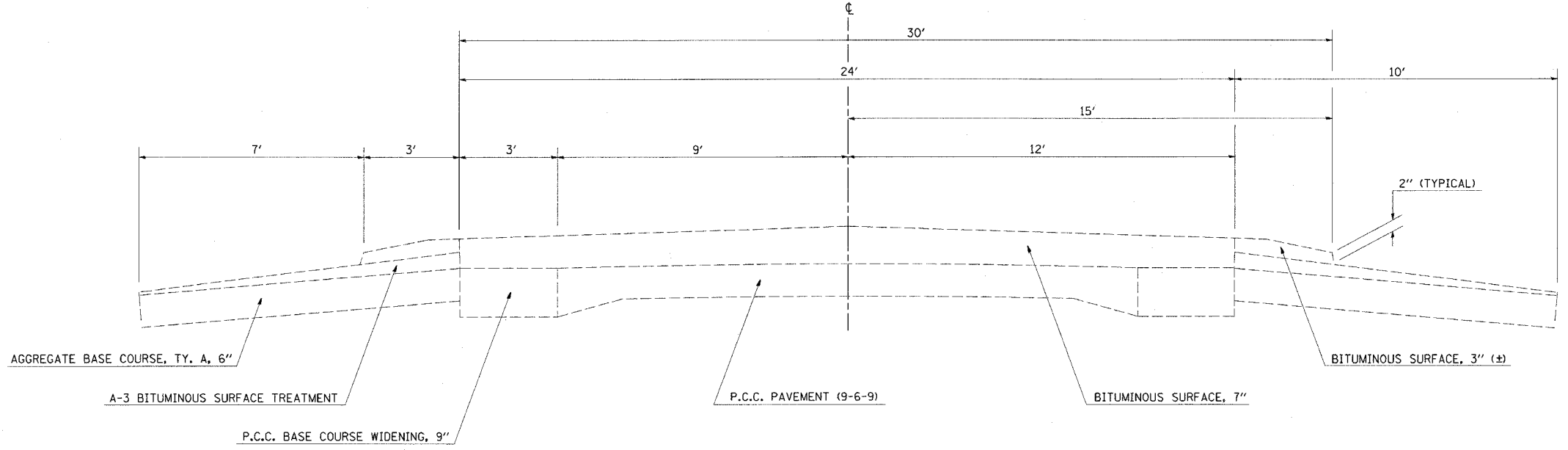


F.A.P. RTE.	SECTION	COUNTY	TOTAL SHEETS	SHEET NO.
332	*	WABASH	36	6
STA.	TO STA.			
FED. ROAD DIST. NO.	ILLINOIS	FED. AID PROJECT		
• (12Z,12,13)RS-3				

EXISTING TYPICAL CROSS SECTION

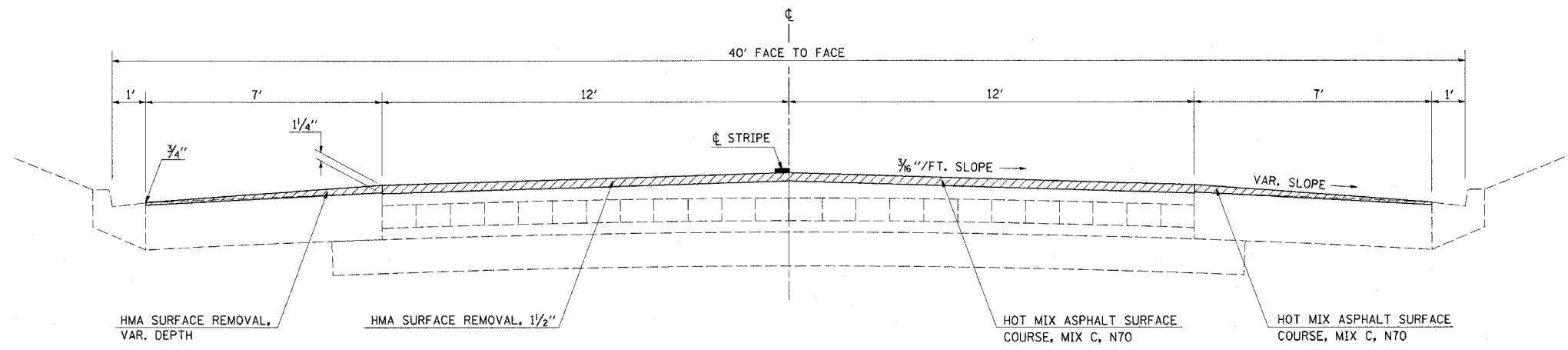
STA. 221+00.00 TO STA. 235+00.00
 STA. 435+00.00 TO STA. 445+50.00



PROPOSED TYPICAL CROSS SECTION ①

STA. 0+00.00 TO STA. 6+30.00
 STA. 8+43.87 TO STA. 19+27.60

BRIDGE OMISSION
 STA. 6+30.00 TO STA. 8+43.87



PLOT DATE = 3/26/2007
 PLOT SCALE = 20.0000 / IN.
 USER NAME = smentem

REVISIONS	
NAME	DATE

ILLINOIS DEPARTMENT OF TRANSPORTATION

TYPICAL CROSS SECTIONS

SCALE: VERT. _____
 HORIZ. _____

DATE _____ DRAWN BY _____
 CHECKED BY _____