

ROUTE NO. TR 69	SECTION *	COUNTY SHELBY	TOTAL SHEETS 12	SHEET NO. 10
FED. ROAD DIST. NO. 7		ILLINOIS PROJECT		
*01-19113-00-BR		SHEET 4 OF 6		

NOTE:
All Edges shall have Standard 3/4" Chamfer except as Noted.

** 1" Joint shall be packed with a very dry mix of 2:1 sand and P.C. mortar. 1" Dimension may Vary plus or Minus to accommodate Tolerance in Beam Lengths.

*** Dowel Rods to be grouted after beams are in place and allowed to cure (Min. 24 hours) prior to grouting Shear Keys.

*** 3/4" ϕ x 1'-6" Dowel Rods in 1/4" ϕ holes drilled in Cap (2 Each Beam) Cost Incidental to Concrete Structures.

1 - 9" x 1/2" x 2'-1" (Interior Fabric Brg. Pad) or 1 - 9" x 1/2" x 1'-0 1/2" (Exterior Fabric Brg. Pad)

27" P.P.C. Beam
GROUT
1" ***
27" P.P.C. Beam

1/2" x 6" P.J.F. Full Width

9"
p1
5"
1'-5" 1'-5"
2'-10"

h4
v3

u1

12" 12"
2'-0"

11'-8"

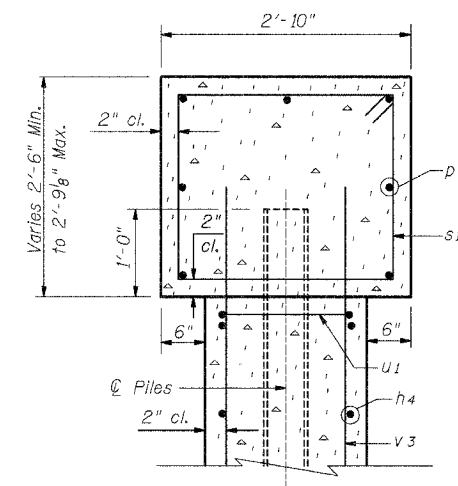
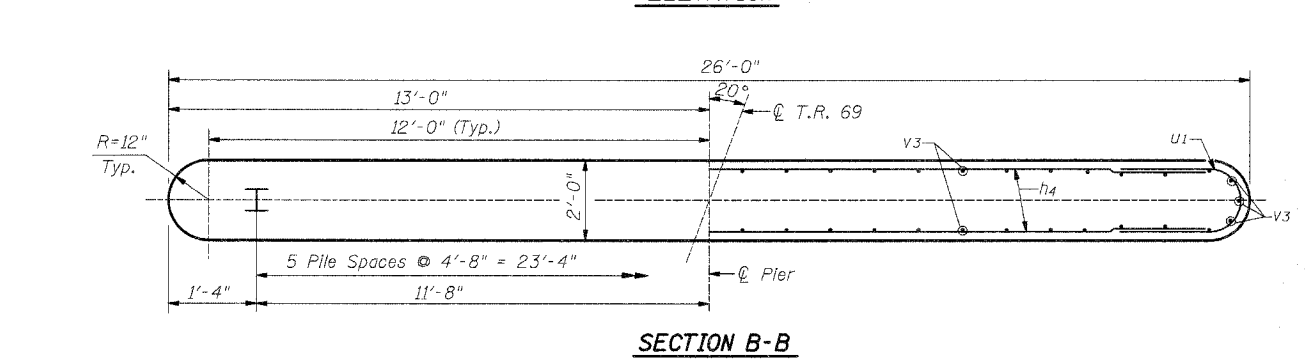
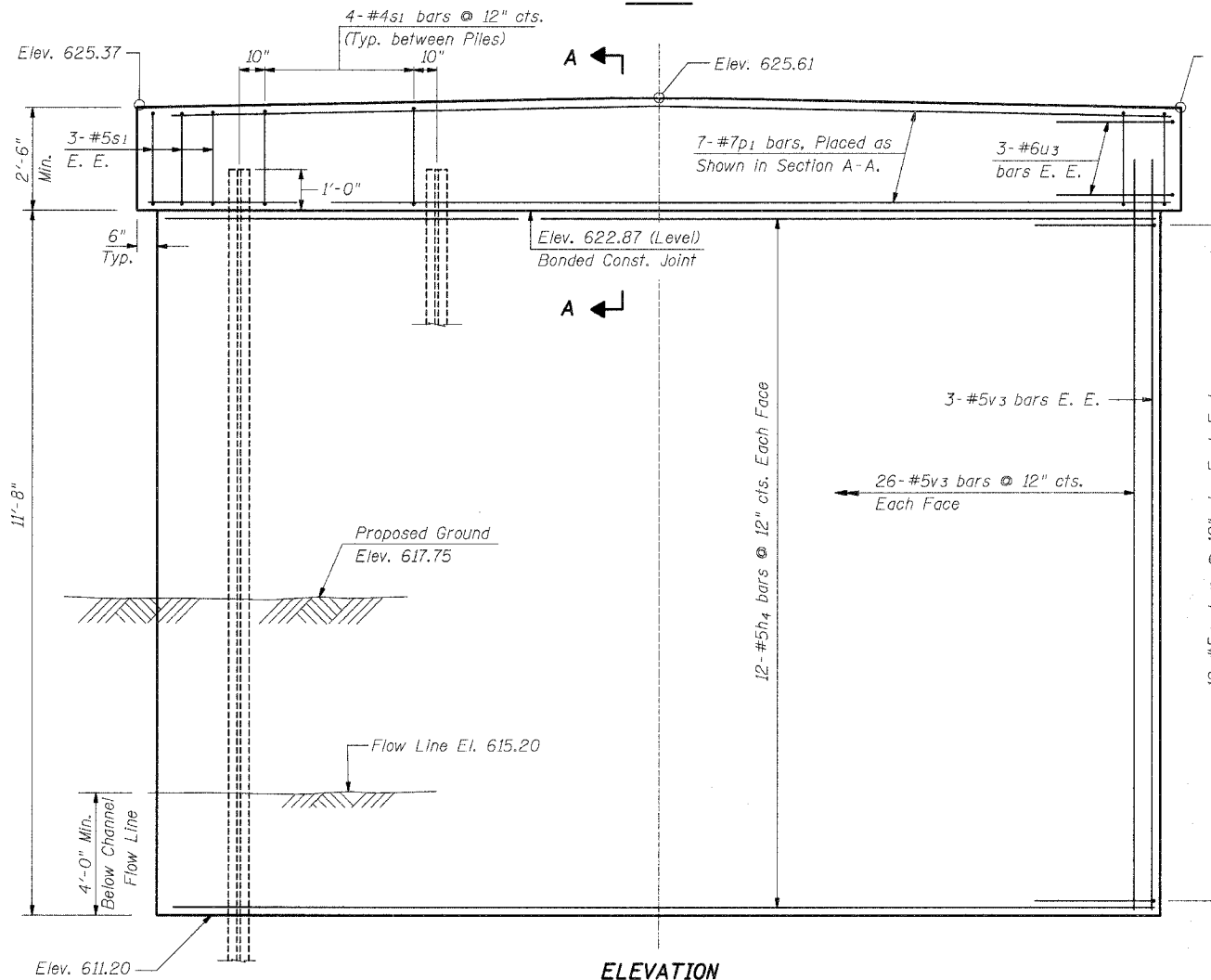
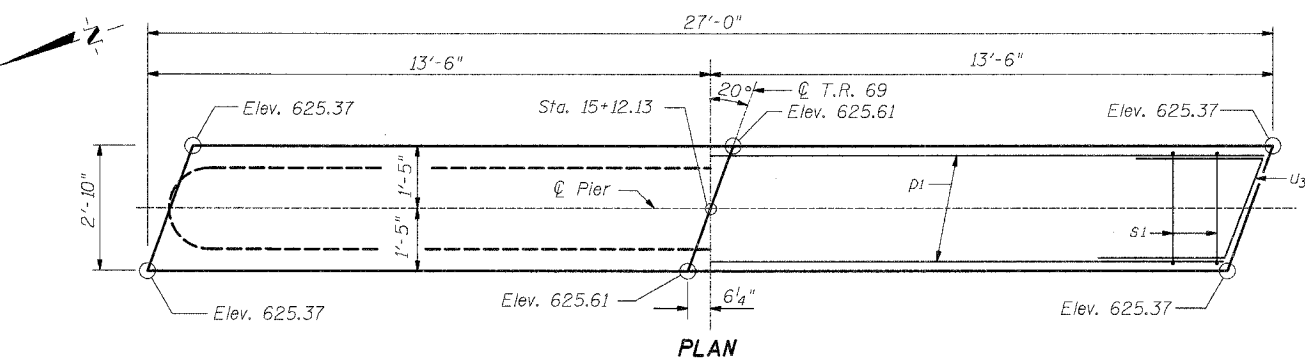
4'-0" Min. Below Channel Flow Line

Elev. 611.20

END VIEW

PILE DATA

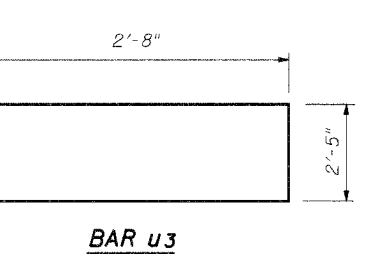
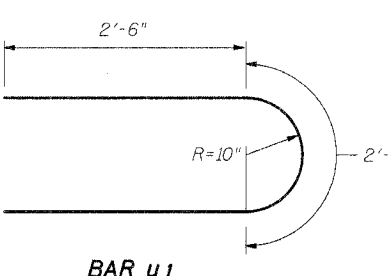
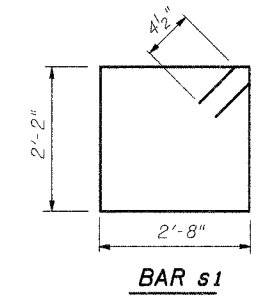
Type & Size	=	HP 10 x 42
Nominal Required Bearing	=	335 kips
Allowable Resistance Available	=	112 kips
Estimated Length	=	36'
Number Req'd.	=	6 (Including 1 Test Pile)



BILL OF MATERIAL

Bar	No.	Size	Length	Shape
h4	24	#5	24'-0"	—
p1	7	#7	26'-6"	—
s1	26	#4	10'-1"	□
u1	24	#5	7'-8"	U
u3	6	#6	7'-9"	U
v3	58	#5	13'-6"	—

ITEM	UNIT	QUANTITY
Reinforcement Bars	Pound	2240
Concrete Structures	Cu. Yd.	29.6
Furnishing Steel Piles, HP 10 x 42	Foot	180
Driving Piles	Foot	180
Test Piles	Each	1
Structure Excavation	Cu. Yd.	43



PIER DETAILS
T.R. 69 OVER LAKE FORK CREEK
SEC. 01-19113-00-BR
SHELBY COUNTY
S.N. 087-3530
STA. 15+12.13

INTERNATIONAL ENGINEERING CONSULTANTS, INC.
6420 SOUTH SIXTH STREET
SPRINGFIELD, ILLINOIS 62707
TEL (217) 528-8027
FAX (217) 528-4543
IESPRINGFIELD@IE-CONSULTANTS.COM
WWW.IE-CONSULTANTS.COM

DESIGNED BY: G.B.M. CHECKED BY: D.R.B. DRAWN BY: J.P.H. DATE: March 2008

FILE: G:\S01042\CD01\042PR01.DGN 3/21/2008 9:14:08 AM