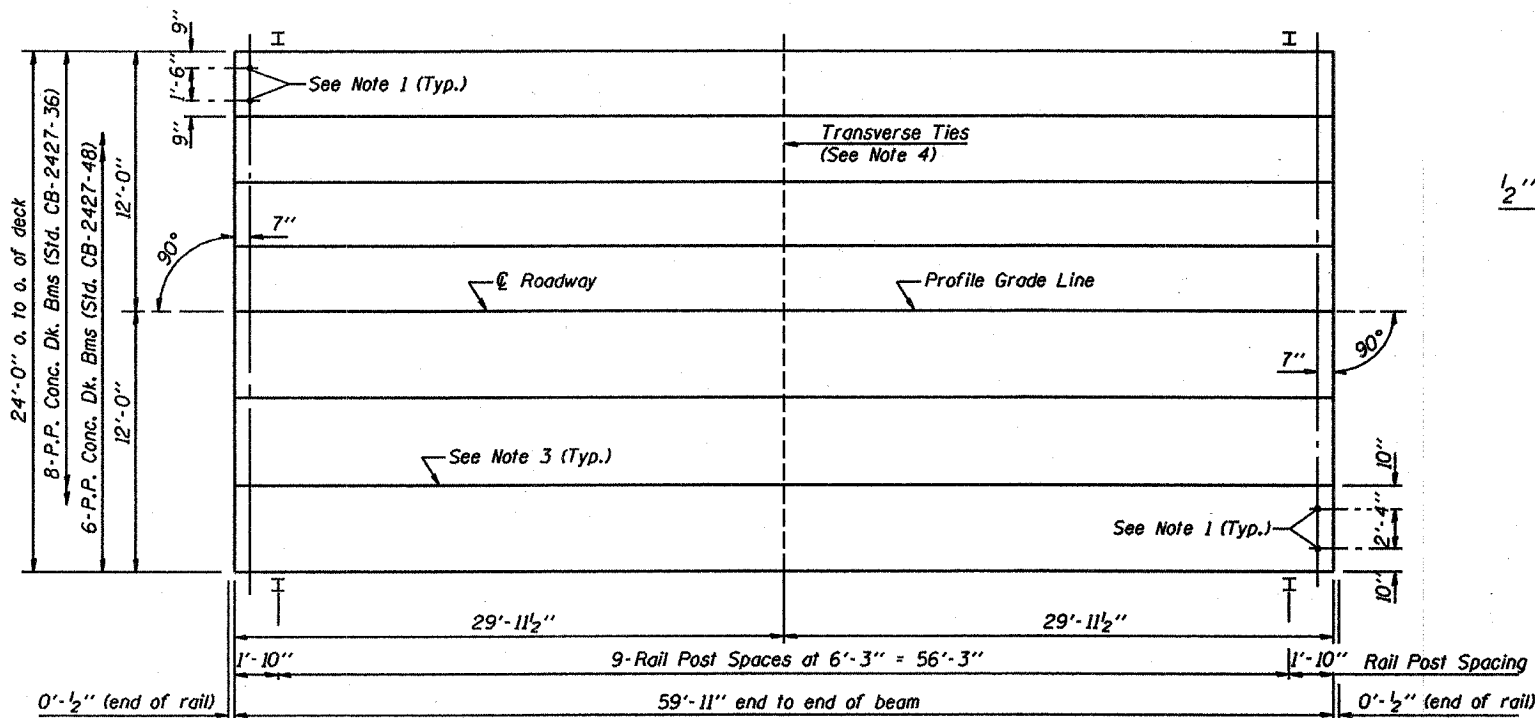


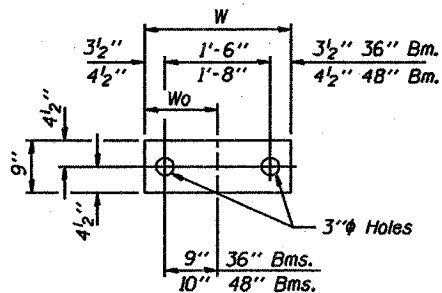
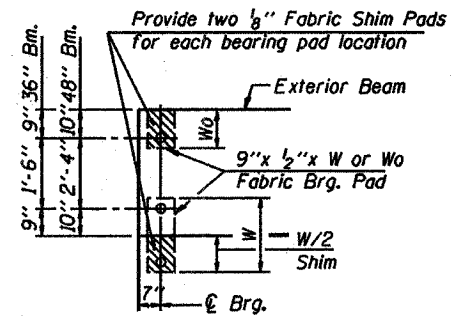
TYPICAL ELEVATIONS



PLAN

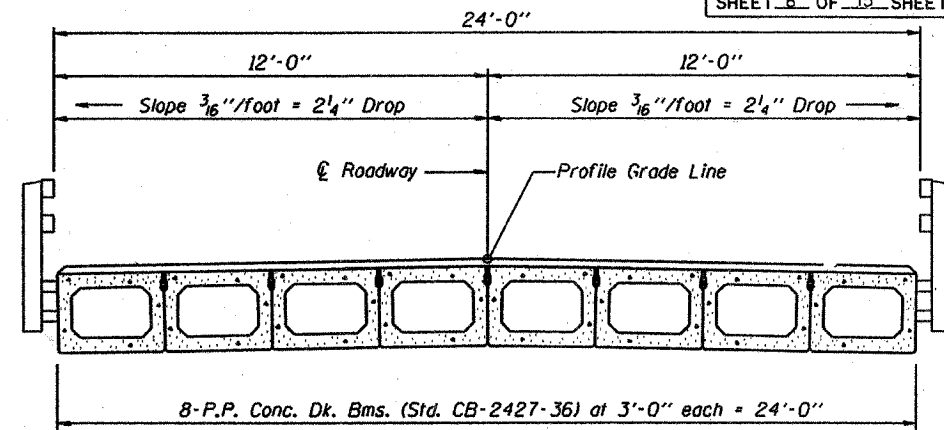
NOTES

1. After beams have been erected, holes shall be drilled into substructure and anchor dowels placed. Dowel holes shall be filled with non-shrink grout to top of beam and allowed to cure min. 24 hrs. prior to grouting the shear keys.
2. Nominal 1" joint at centerline of Pier shall be filled with non-shrink grout.
3. Longitudinal keys shall be grouted.
4. The 1" diameter rods in the transverse tie assembly shall be tightened to a snug fit and the threads set. Pockets that receive transverse tie bar outside shall be filled with grout after transverse tie assembly is in place.

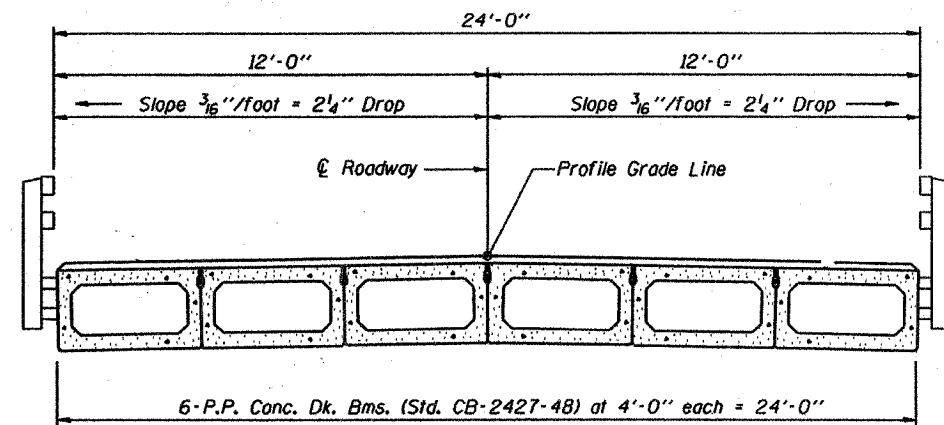


Beam	W	Wo
36"	2'-1"	1'-0 1/2"
48"	2'-5"	1'-2 1/2"

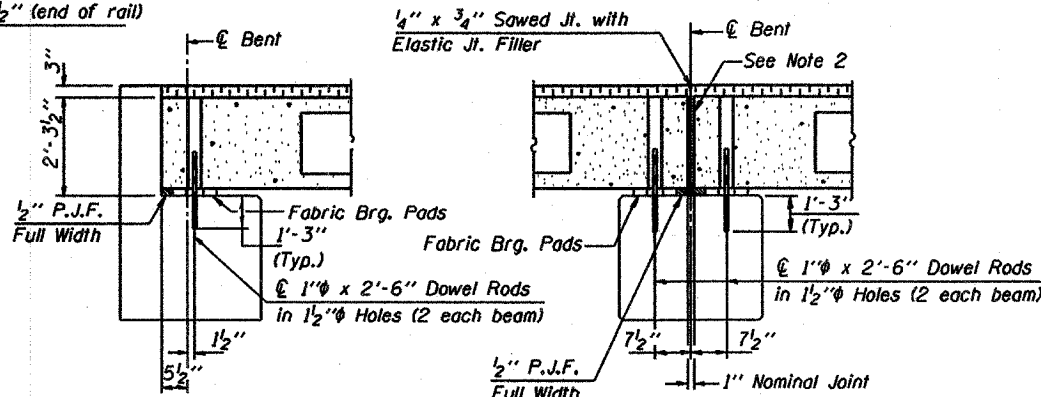
1/2" FABRIC BRG. PAD DETAILS



CROSS SECTION



CROSS SECTION



SECTION AT ABUTS.  
(Along centerline of Beams)

SECTION AT PIERS  
(Along centerline of Beams)

QUANTITIES FOR ONE SPAN

P.P. Conc. Dk. Bm. 27" Dp.	1440 Sq. Ft.
Steel Railing	120 Ft.

P.P.C. DECK BEAM  
 SUPERSTRUCTURE

24' RDWY.	27" BMS.	60' SPAN	0° SKEW
STANDARD CS-2427-60			

Illinois Department of Transportation  
 PASSED APRIL 4, 2005  
 Thomas J. Romagallo  
 Engineer of Bridge Design  
 APPROVED APRIL 4, 2005  
 Ralph E. Anderson  
 Engineer of Bridges and Structures