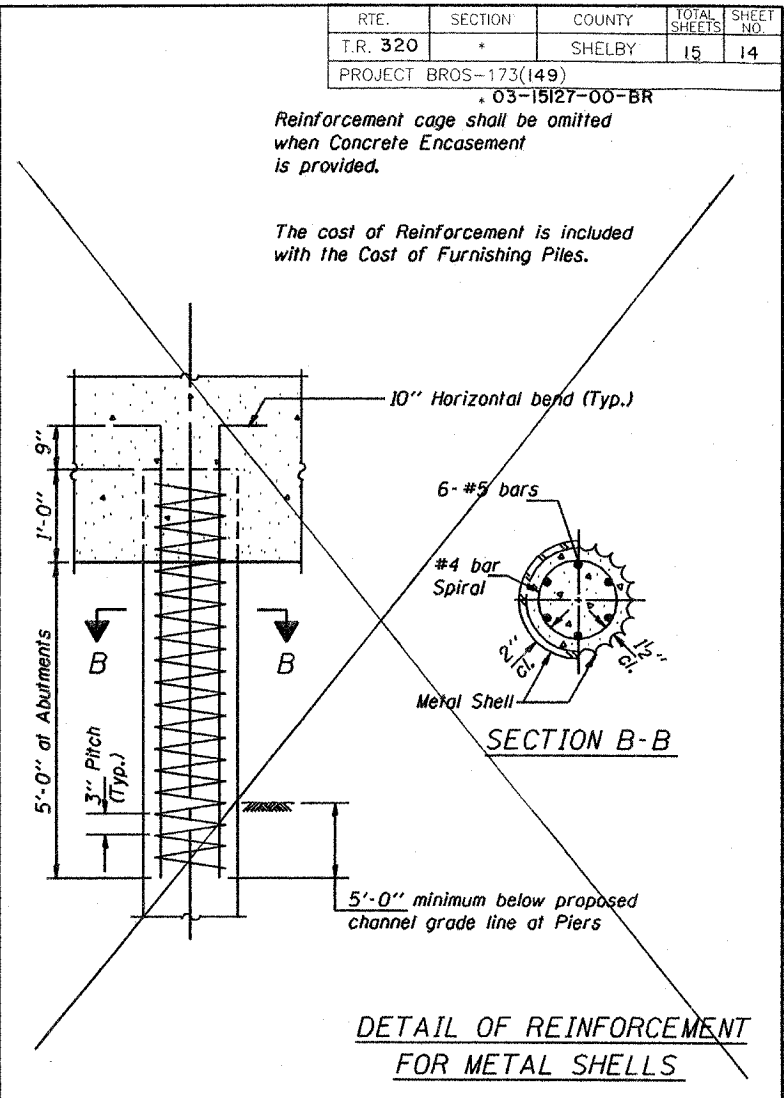
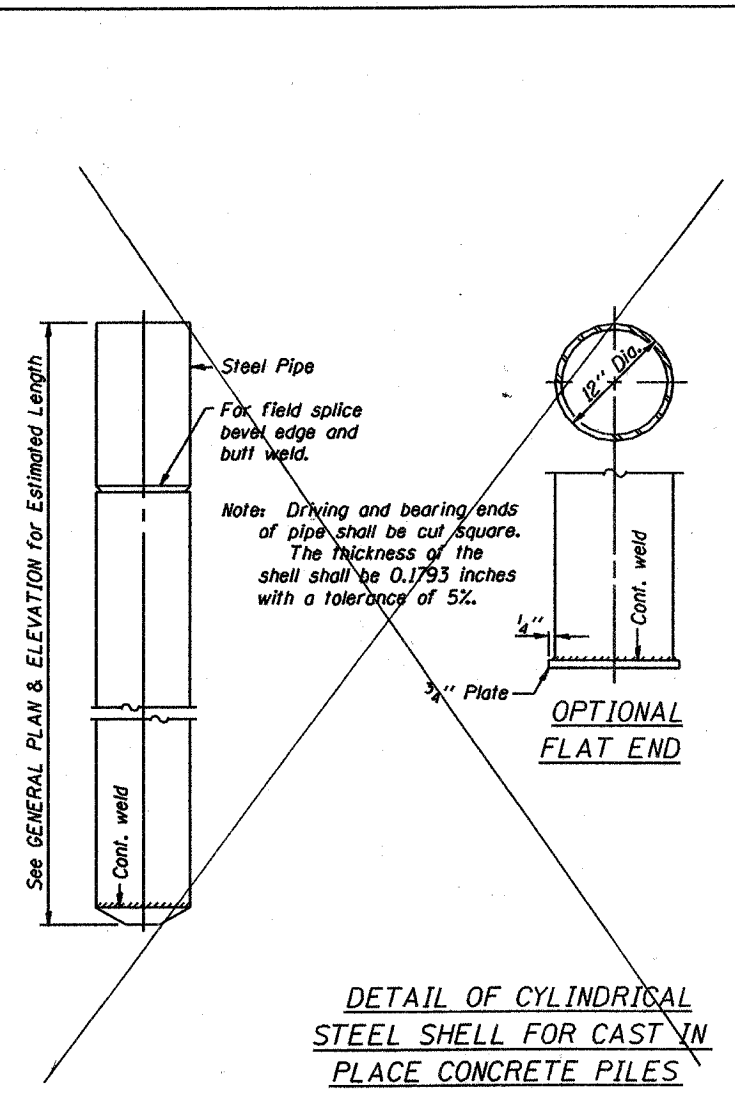
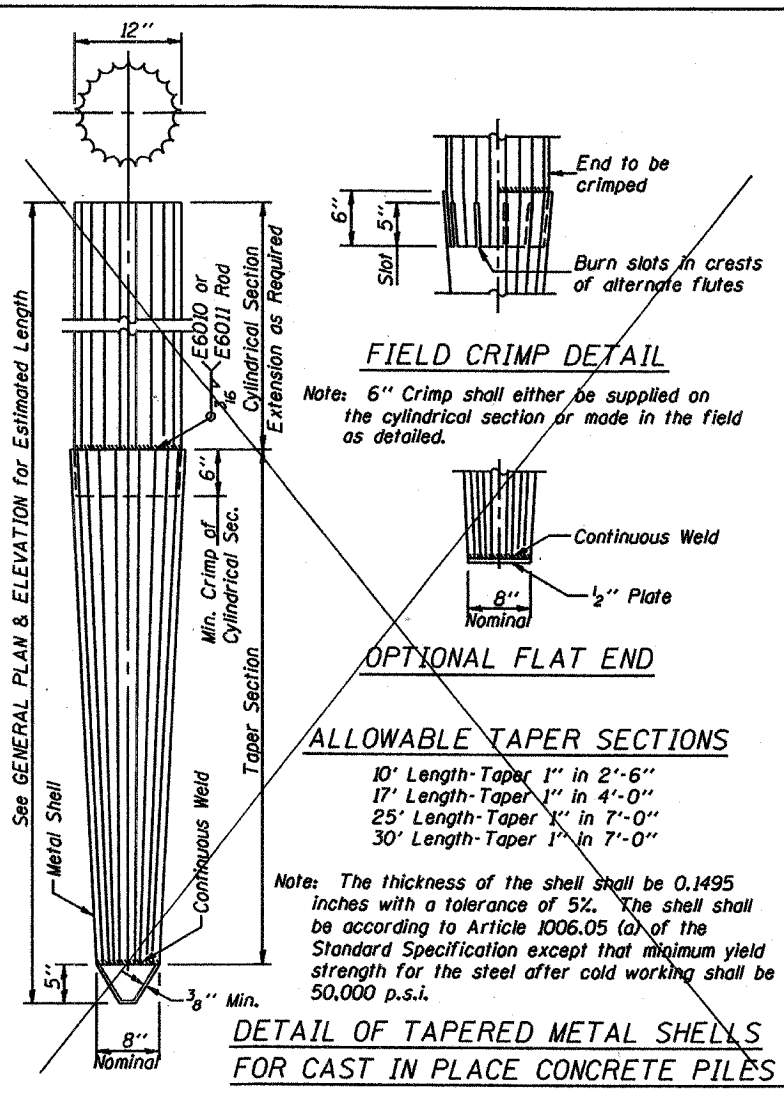
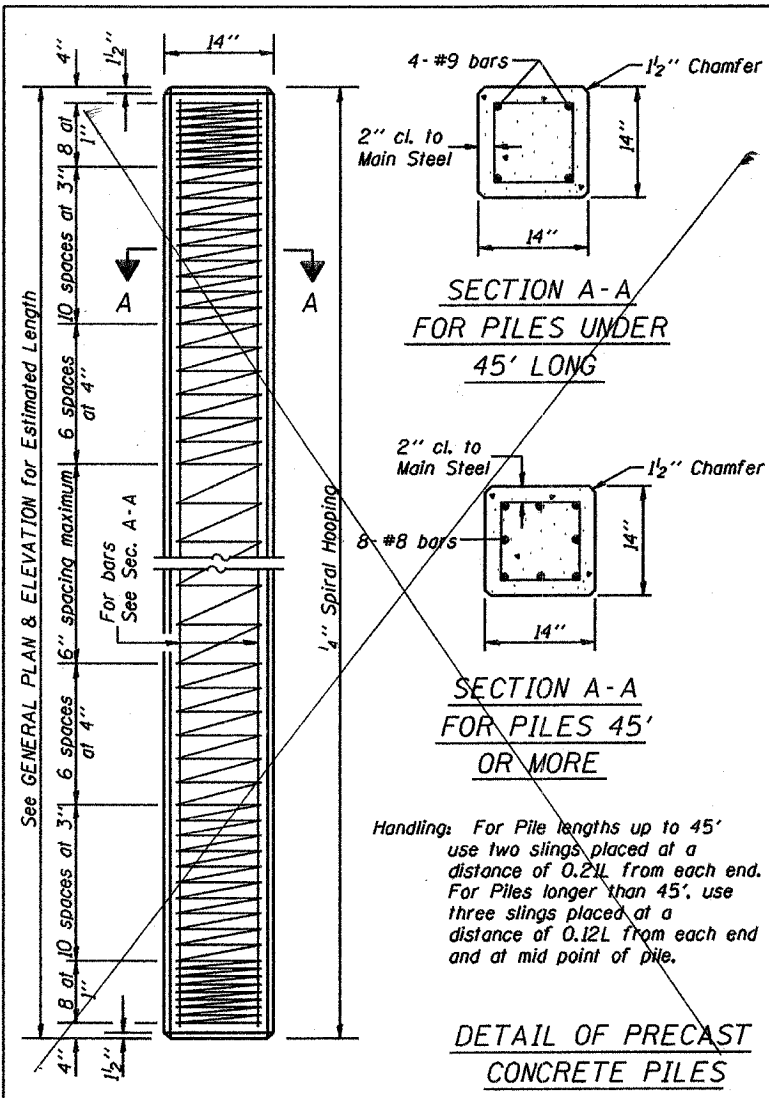


RTE.	SECTION	COUNTY	TOTAL SHEETS	SHEET NO.
T.R. 320	*	SHELBY	15	14
PROJECT BR05-173(149)				



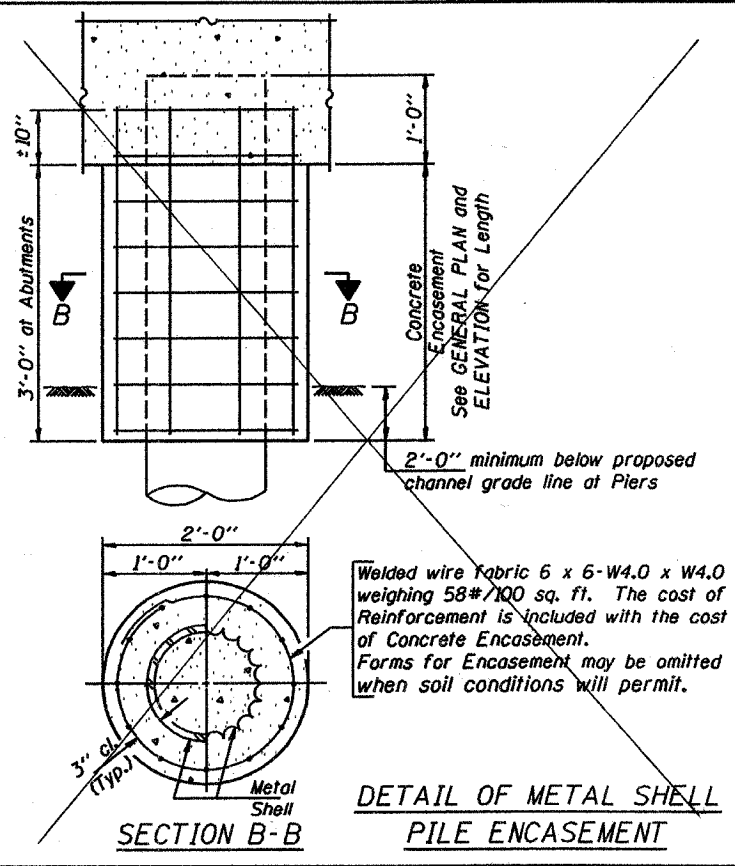
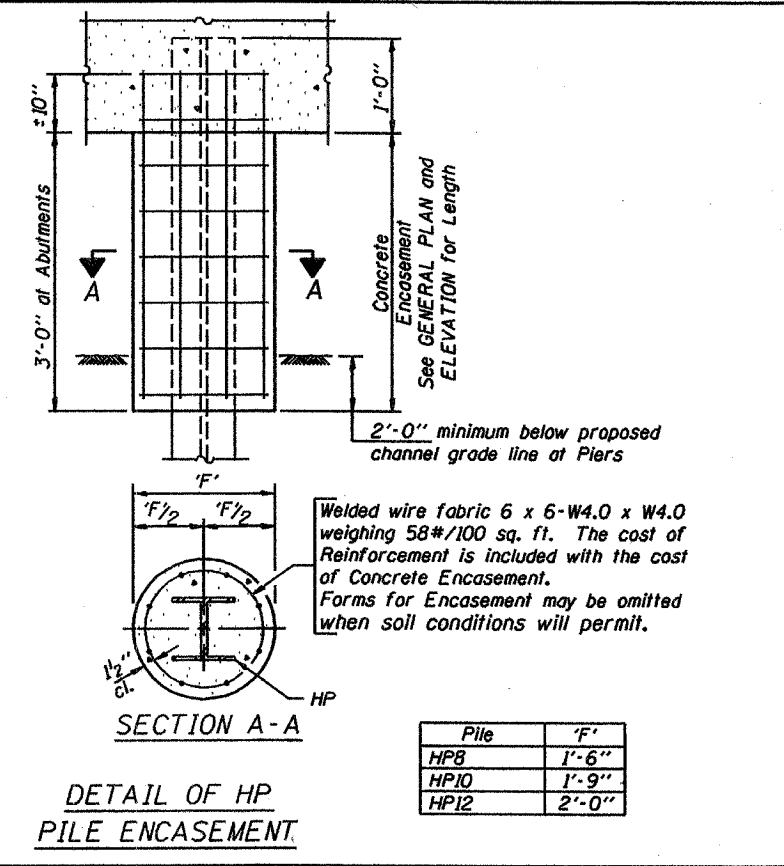
Illinois Department of Transportation

PASSED FEBRUARY 1, 2000

Thomas J. Demagala
 Engineer of Bridge Design

APPROVED FEBRUARY 1, 2000

Ralph E. Coulter
 Engineer of Bridges and Structures



QUANTITIES/FT. OF ENCASEMENT (STEEL PILES)

Pile Size	Item	Quantity
HP8	Concrete Encasement	0.063 C.Y.
HP10	Concrete Encasement	0.086 C.Y.
HP12	Concrete Encasement	0.112 C.Y.

~~(METAL SHELL PILES)~~

Pile Size	Item	Quantity
12" Dia.	Concrete Encasement	0.087 C.Y.

PILE DETAILS

STANDARD CX-1