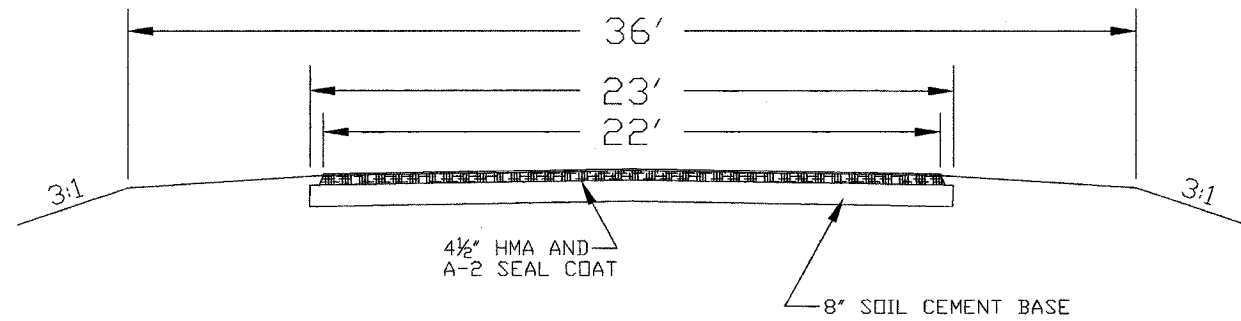


ROUTE	SECTION	COUNTY	SHEET NO.	TOTAL SHEETS
FAS 798	92-00063-01-RS	CLAY	3	11
FEDERAL ROAD DISTRICT 7		ILLINOIS	FEDERAL AID PROJ.	
CONTRACT NO. 95551				

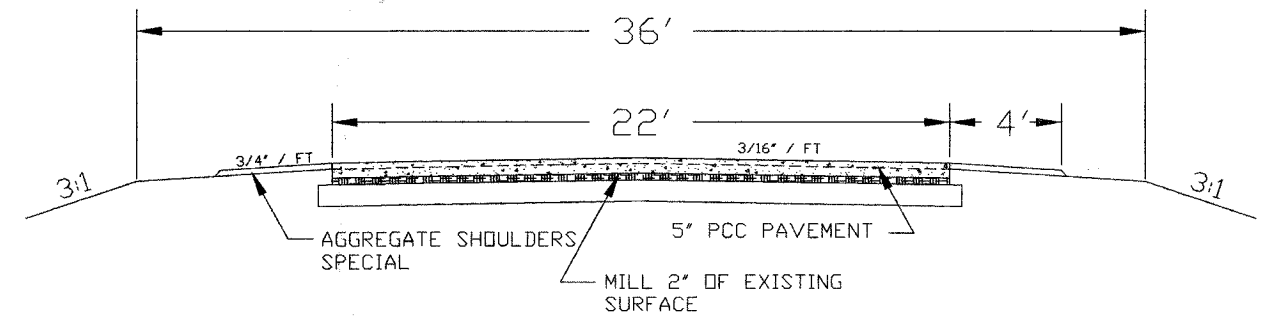
TYPICAL EXISTING CROSS SECTIONS

STA 0+22 TO STA 195+50
STA 218+20 TO STA 228+81

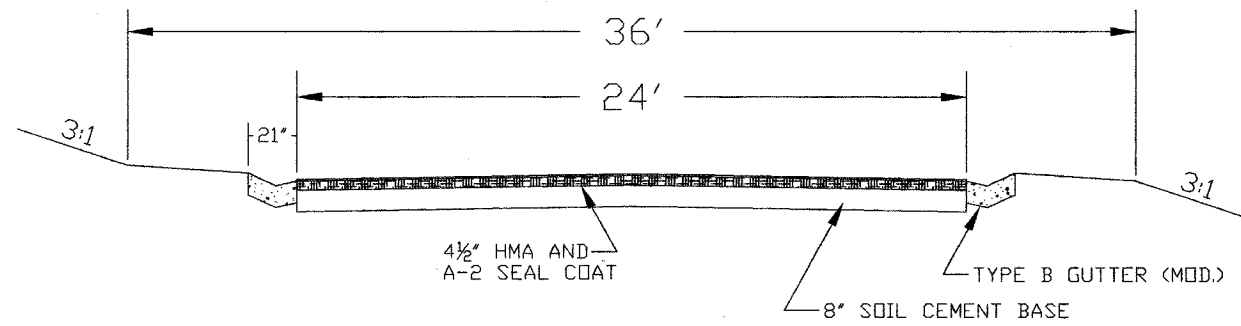


TYPICAL PROPOSED CROSS SECTIONS

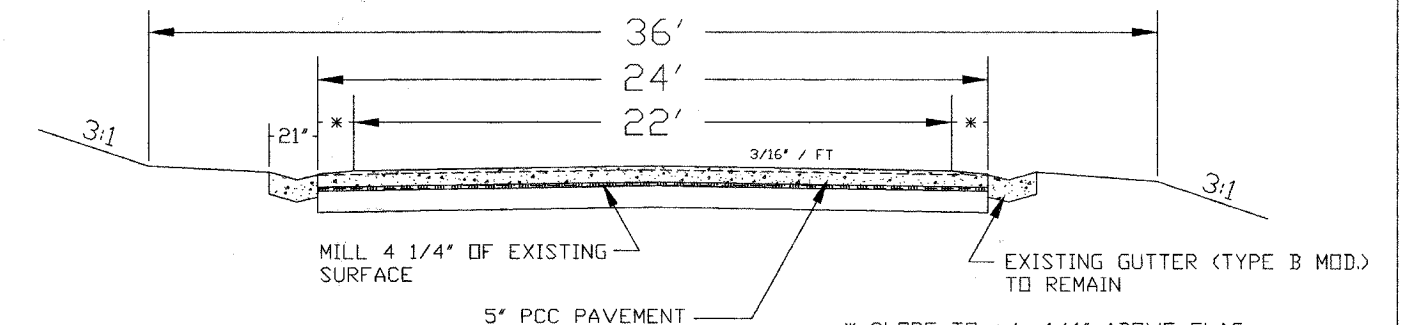
STA 0+22 TO STA 195+50
STA 218+20 TO STA 225+00



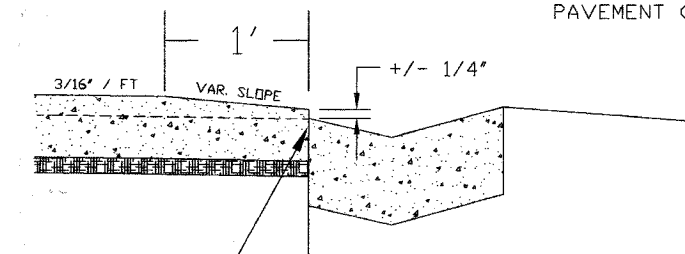
STA 195+50 TO STA 218+20



STA 195+50 TO STA 218+20

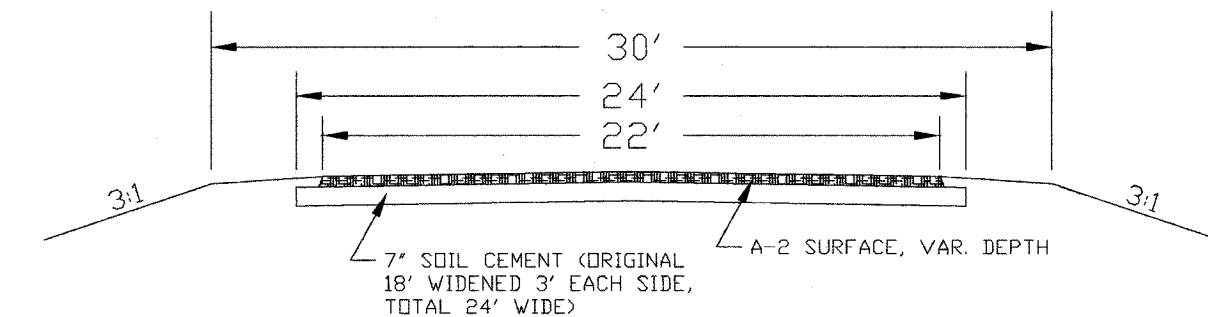


* SLOPE TO +/- 1/4" ABOVE FLAG OF EXISTING GUTTER @ EDGE OF PAVEMENT (SEE DETAIL BELOW)



DOUBLE COAT CURING COMPOUND APPLIED TO VERTICAL FACE OF CONCRETE CURB

STA 228+81 TO STA 394+19.6



STA 225+00 TO STA 393+00

