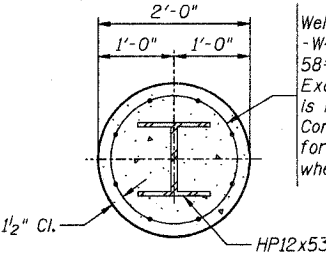
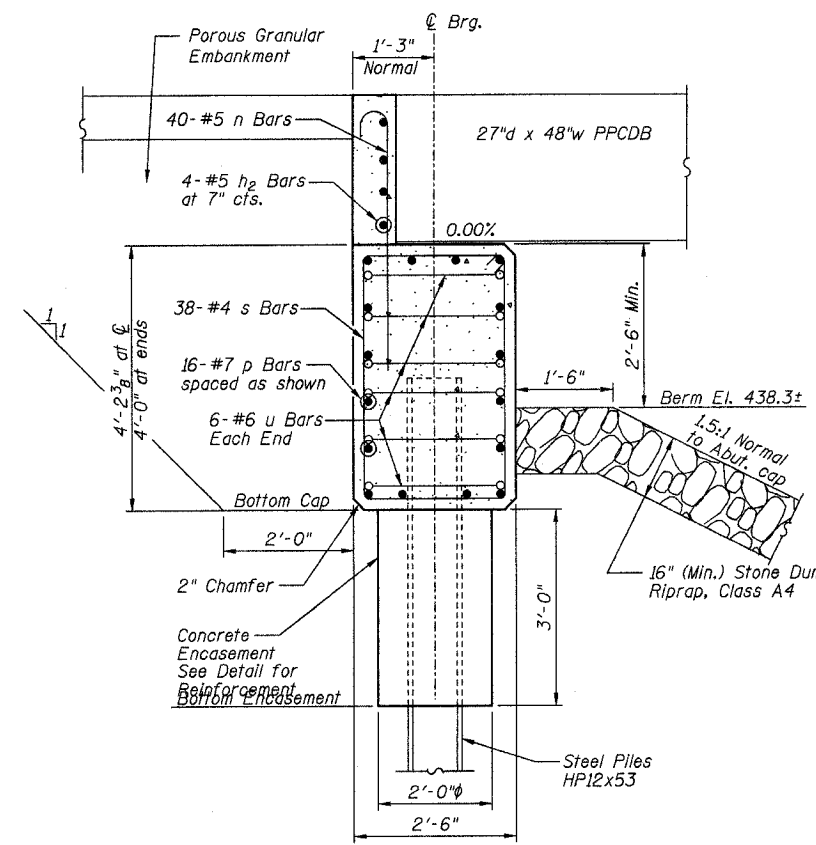


ROUTE	SECTION	COUNTY	TOTAL SHEET NO.
TR 175A	07-03123-00-BR	CRAWFORD	11 10
		ILLINOIS	FED. AID PROJECT
CONTRACT NO. 95556			

PILE DATA

Type and Size: Steel HP12x53
 Nominal Required Bearing: 418 kips
 Allowable Resistance Available: 139 kips
 Estimated Length:
 North Abutment: 26 Foot
 South Abutment: 26 Foot
 Number of Production Piles:
 North Abutment: 4 Each
 South Abutment: 5 Each
 Number of Test Piles:
 North Abutment: 1 Each
 South Abutment: None

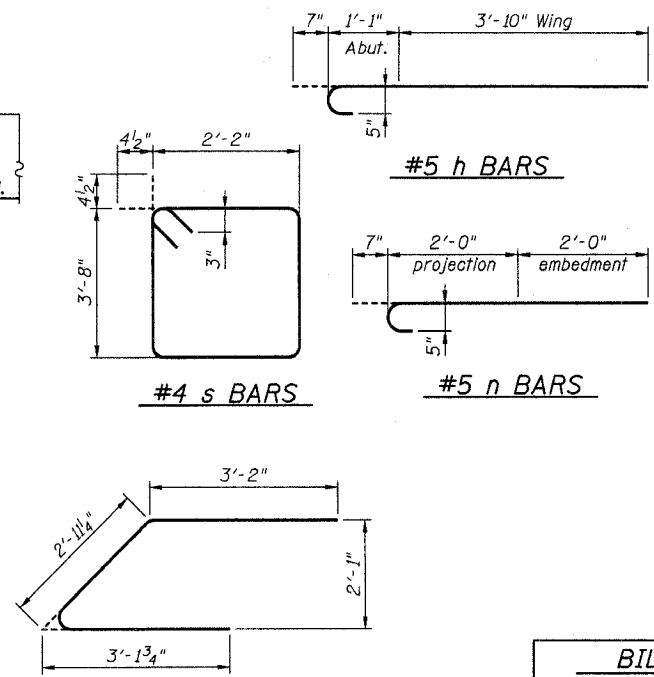


Welded wire fabric 6 x 6 - W4.0 x W4.0 weighing 58#/100 sq. ft. The cost of Excavation and Reinforcement is incidental to the cost of Concrete Encasement. Forms for Encasement may be omitted when soil conditions permit.

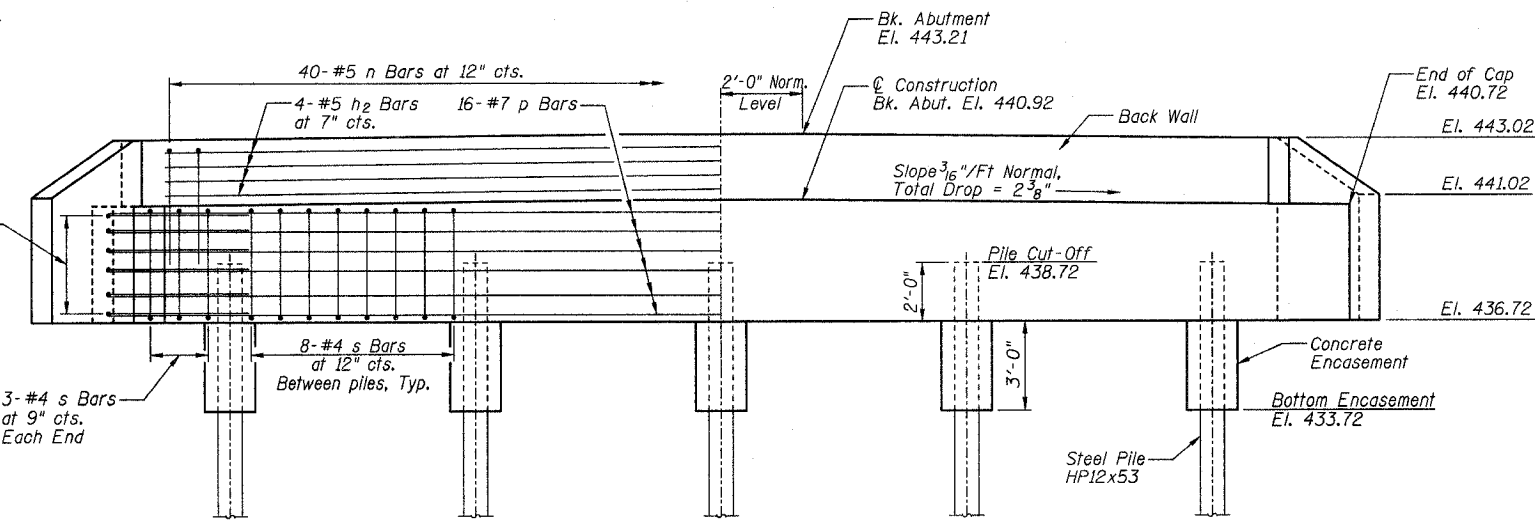
PILE ENCASEMENT DETAIL

GENERAL NOTES

All exposed edges shall have standard 3/4" chamfer, unless otherwise noted.
 All clearances between rebar and form surface shall be 2", unless otherwise noted.
 Space reinforcement in cap to miss PPCDB dowel rods.
 The steel H-piles shall be according to AASHTO M270, Grade 50.



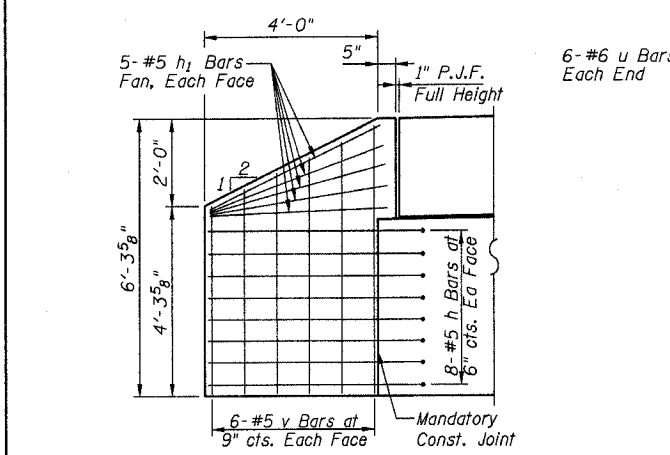
SECTION THRU ABUTMENT



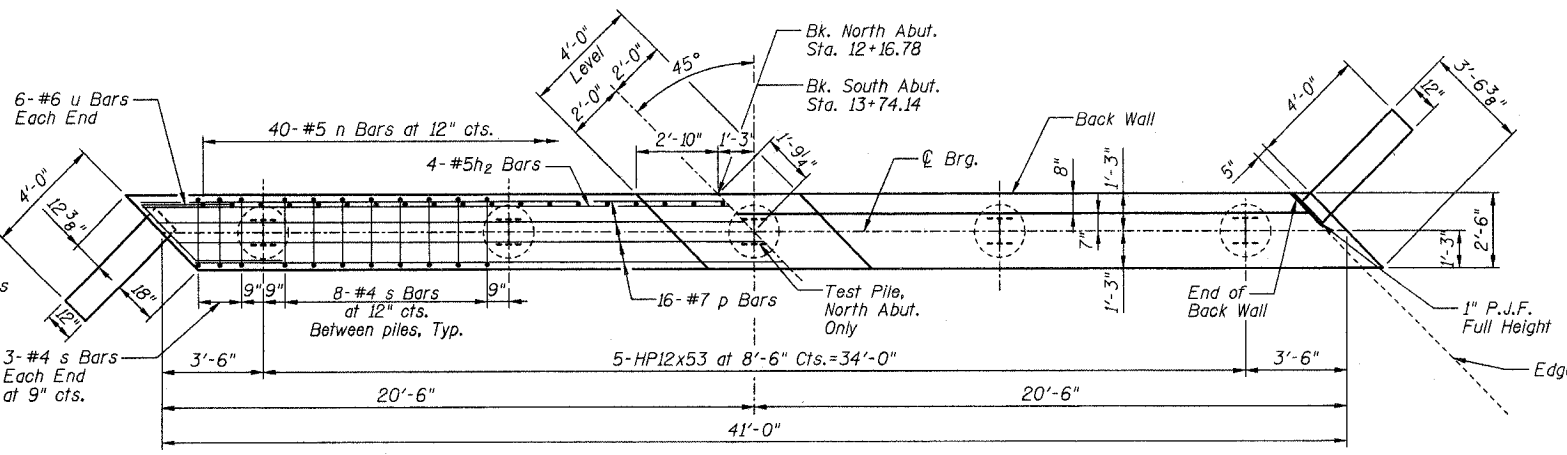
ELEVATION

BILL OF MATERIALS ONE ABUTMENT w/ WINGWALLS

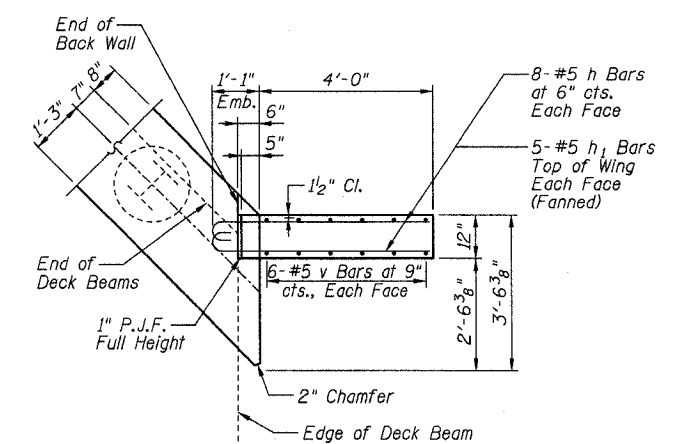
Bar	No.	Size	Length	Shape
h	32	#5	5'-6"	
h1	20	#5	4'-6"	CUT IN FIELD
h2	4	#5	39'-0"	
n	40	#5	4'-7"	
p	16	#7	40'-8"	
s	38	#4	12'-5"	
u	12	#6	9'-3"	
v	24	#5	6'-0"	CUT IN FIELD
Concrete Structures			Cu. Yd.	19.6
Reinforcement Bars			Pound	2590
Concrete Encasement			Cu. Yd.	1.8



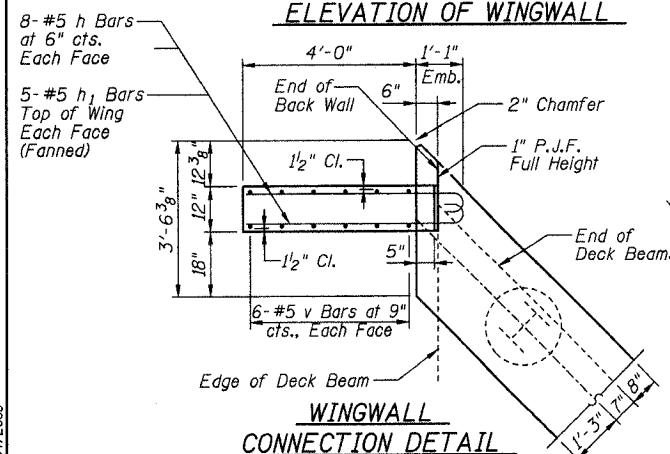
ELEVATION OF WINGWALL



PLAN



WINGWALL CONNECTION DETAIL



WINGWALL CONNECTION DETAIL

ABUTMENT DETAILS PROPOSED BRIDGE OVER LAMOTTE CREEK TR 175A SECTION 07-03123-00-BR CRAWFORD COUNTY, ILLINOIS