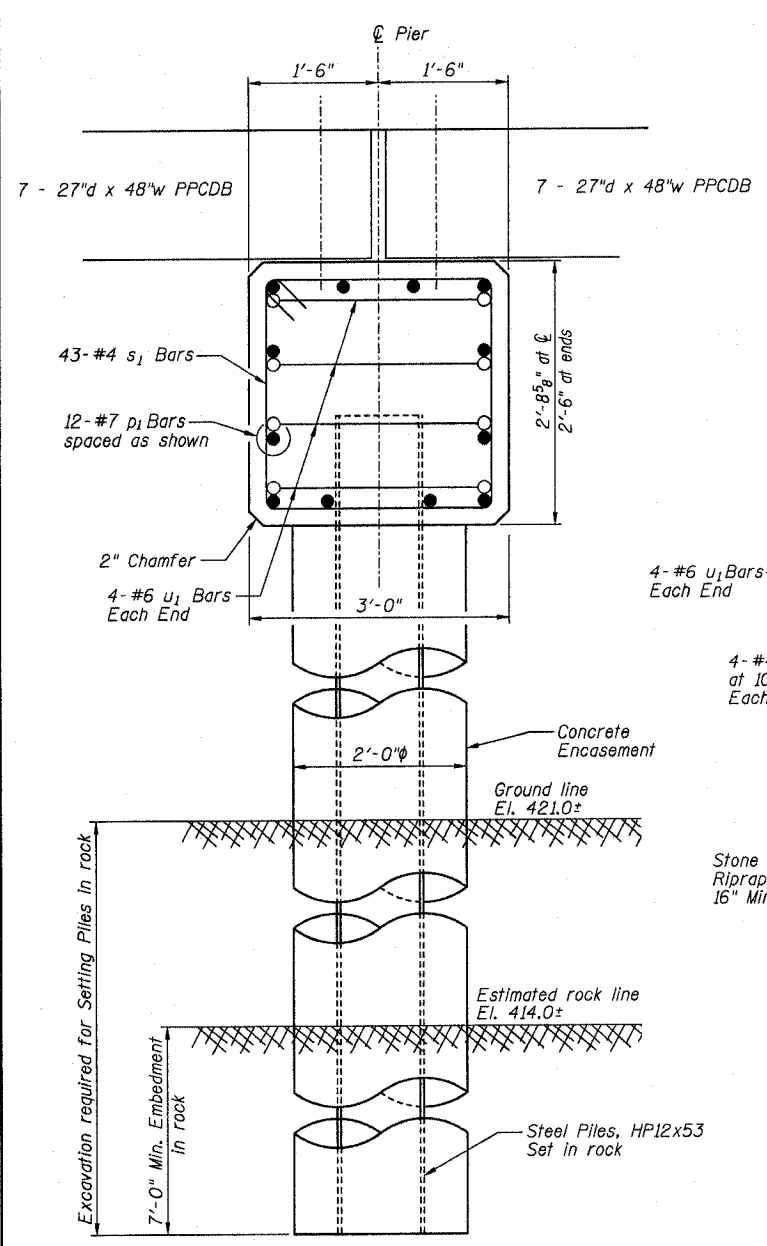
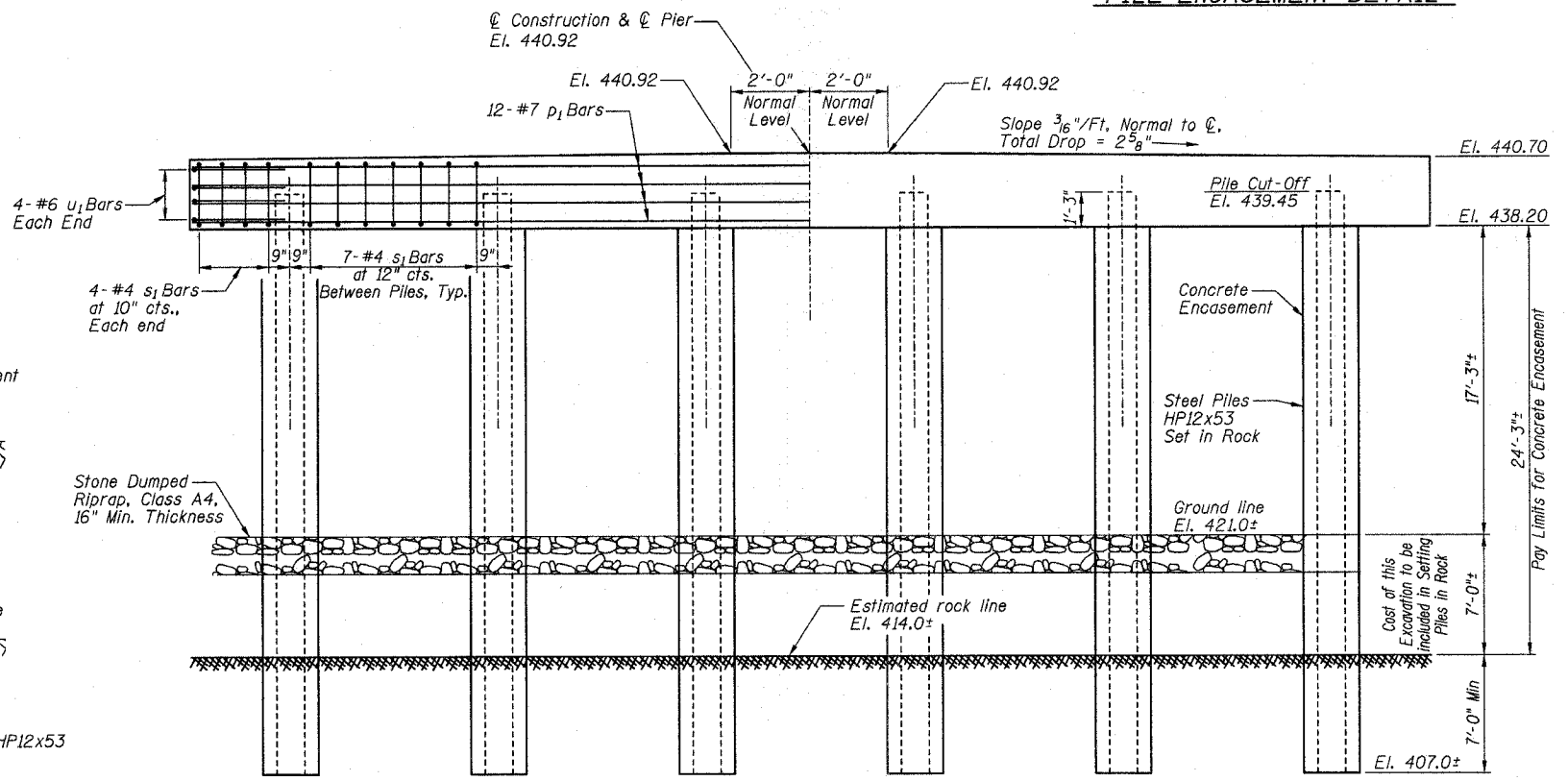
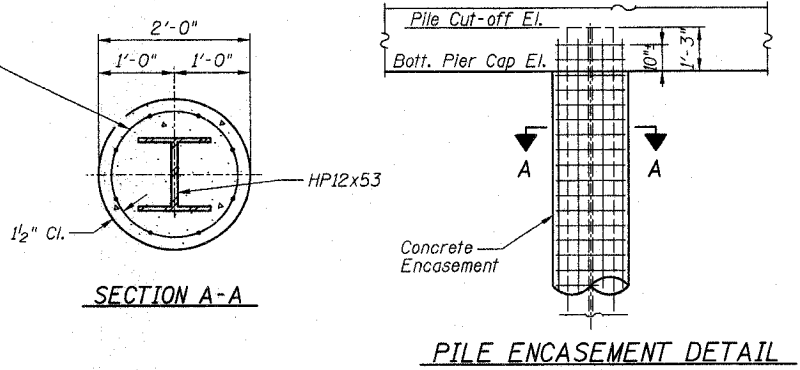


ROUTE	SECTION	COUNTY	TOTAL SHEETS	SHEET NO.
TR 175A	07-03123-00-BR	CRAWFORD	11	11
		ILLINOIS	FED. AID PROJECT	
CONTRACT NO. 95556				

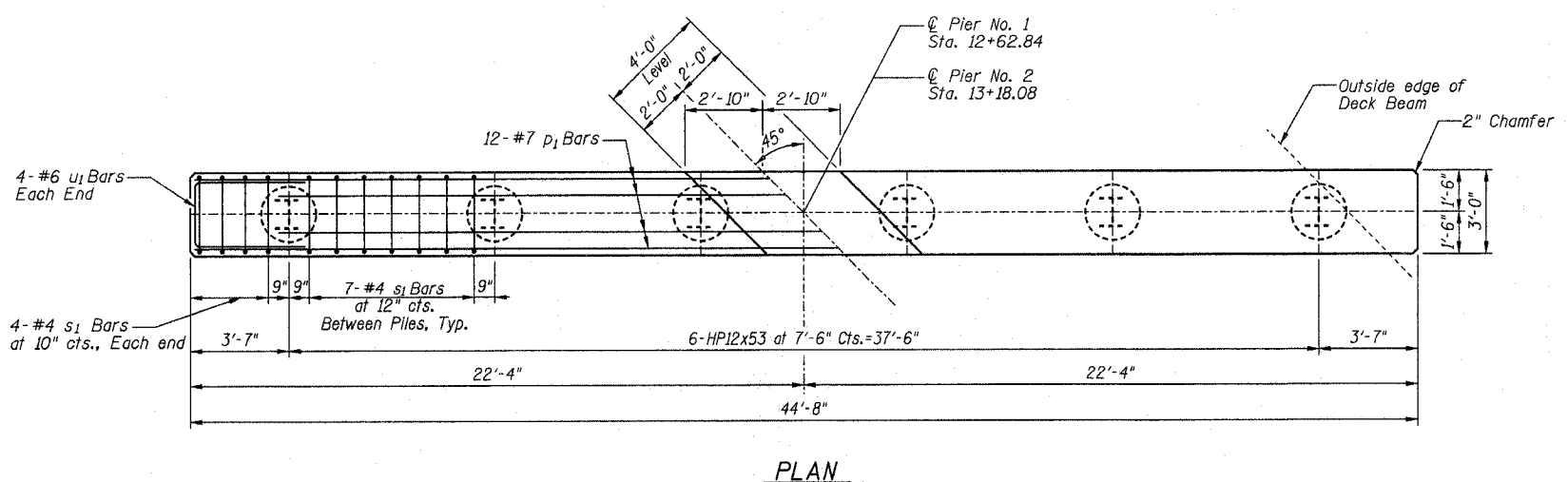


**SECTION THRU PIER**

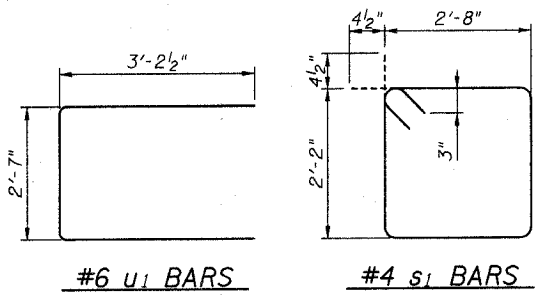
Welded wire fabric 6 x 6 - W4.0 x W4.0 weighing 58#/100 sq. ft. The cost of soil and rock excavation, reinforcement, and Class SI Concrete Encasement shall be included in the contract unit price per Each for Setting Piles in Rock and the contract unit price per Cu. Yd. for Concrete Encasement and no additional compensation will be allowed. Forms for Concrete Encasement may be omitted when soil conditions permit.



**ELEVATION**



**PLAN**



**#6 u1 BARS      #4 s1 BARS**

**PILE DATA**

Type and Size:	Steel HP12x53
Nominal Required Bearing:	419 kips
Allowable Resistance Available:	139 kips
Estimated Length:	
Pier No. 1:	34 Foot
Pier No. 2:	34 Foot
Number of Production Piles:	
Pier No. 1:	6 Each
Pier No. 2:	6 Each
Number of Test Piles:	
Pier No. 1:	None
Pier No. 2:	None

**BILL OF MATERIALS ONE PIER**

Bar	No.	Size	Length	Shape
p <sub>1</sub>	12	#7	44'-4"	—
s <sub>1</sub>	43	#4	10'-5"	□
u <sub>1</sub>	8	#6	9'-0"	□
Concrete Structures				
			Cu. Yd.	13.0
Reinforcement Bars				
			Pound	1490
Concrete Encasement				
			Cu. Yd.	16.9
Setting Piles in Rock				
			Each	6
Underwater Structure Excavation				
Protection - Location 1			Each	1
Underwater Structure Excavation				
Protection - Location 2			Each	1

Location 1 = Pier 1. Location 2 = Pier 2.

**GENERAL NOTES**

All exposed edges shall have 2" chamfer, unless otherwise noted.

All clearances between rebar and form surface shall be 2", unless otherwise noted.

Space reinforcement in cap to miss PPCDB dowel rods.

The steel H-piles shall be according to AASHTO M270, Grade 50.

**PIER DETAILS**  
**PROPOSED BRIDGE OVER**  
**LAMOTTE CREEK**  
**TR 175A**  
**SECTION 07-03123-00-BR**  
**CRAWFORD COUNTY, ILLINOIS**

04/04/2008