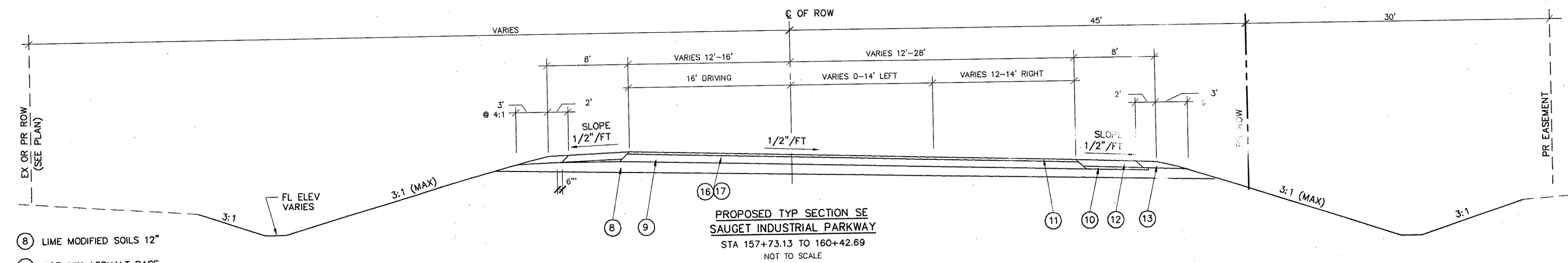
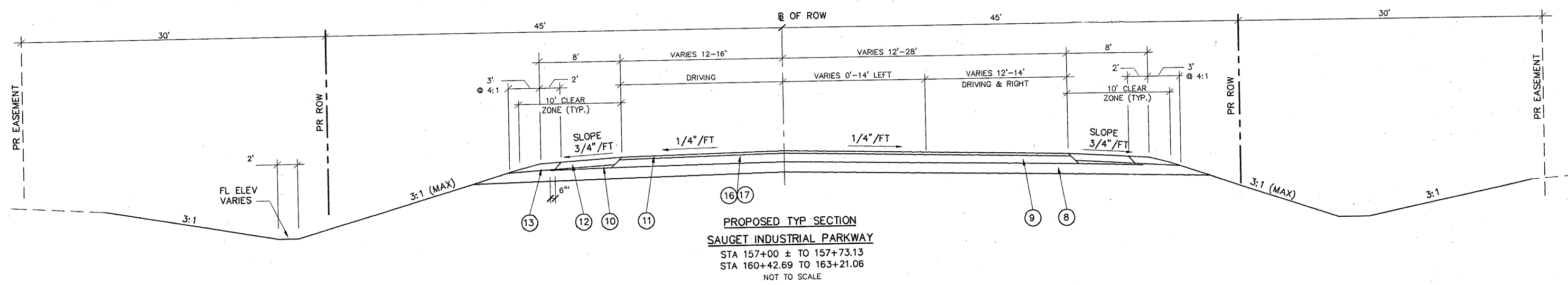
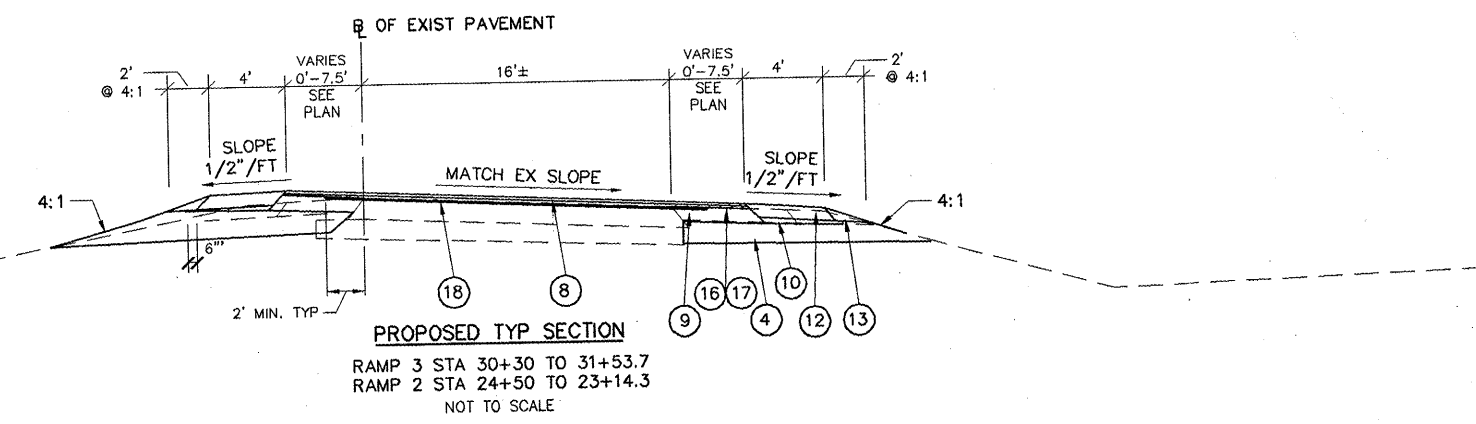


ROUTE NO.	SECTION	COUNTY	TOTAL SHEETS	SHEET NO.
99-00000	-01-FP	ST. CLAIR	69	11
FED. ROAD DIST. NO. 8 ILLINOIS FED. AID PROJECT-				
TYPICAL SECTIONS				
CONTRACT NO. 97312				



- ⑧ LIME MODIFIED SOILS 12"
- ⑨ HOT-MIX ASPHALT BASE COURSE 9.75"
- ⑩ AGGREGATE SUBBASE TYPE C
- ⑪ HOT-MIX ASPHALT CONC SURFACE COURSE 2.25"
- ⑫ HOT-MIX ASPHALT SHLD 8"
- ⑬ AGGREGATE SHLD 8"
- ⑭ AGGREGATE FILL
- ⑮ HOT-MIX ASPHALT LEVELING BINDER
- ⑯ HOT-MIX ASPHALT MATERIAL (PRIME COAT)
- ⑰ AGGREGATE (PRIME COAT)
- ⑱ REFLECTIVE CRACK CONTROL



T:\scott\100\100101\101-1.plt 10/20/08 3:44:58 PM X:\scott\8855.dwg